



endurance[®]

gas continuous flow specifications

thinkcontinuous
enjoy the benefits of continuous hot water

thinkcontrol
*complete temperature control
at your fingertips*



*5 Star or higher energy rating –
up to a maximum of 6.2 Stars*!*



1300 365 116
www.dux.com.au

Why you should choose a Dux Endurance continuous flow system

- The continuous flow principle heats water as needed, only heating the water you use
- Models in 16, 20, 26 and 32 litres/min hot water delivery options allow you to select the model to suit your hot water usage needs
- 5 Star or higher energy rating – up to a maximum of 6.2 Stars!*
- Up to 4 controllers per unit are available as an optional accessory, providing the convenience of being able to vary hot water temperatures
- Recess box available
- Readyhot recirculation pump available – saves normally wasted water
- 10 year warranty on heat exchanger, including 3 yrs full parts and labour



Available Accessories

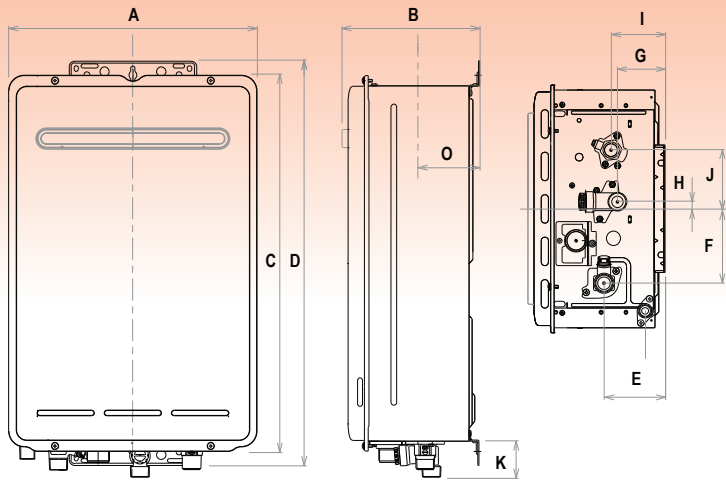
Recess box saves space by using the existing wall cavity
Code: RBP1



Readyhot saves water by pre-heating the water in the pipes before a tap is turned on
Code: RH1



Wall mounted controllers give precise temperature control
Code: EC1



Description		Endurance Models			
		32	26	20	16
A	Width	470	350	350	350
B	Depth	244	194	194	194
C	Height - Unit	600	530	530	530
D	Height - Including Brackets	644	571	571	571
E	Hot Water outlet (from wall)	115	87	87	87
F	Hot Water outlet (from centre)	61	105	105	105
G	Cold Water inlet (from wall)	99	68	68	68
H	Cold Water inlet (from centre)	52	10	10	10
I	Gas Connection (from wall)	61	77	77	77
J	Gas Connection (from centre)	110	83	83	83
	Gas Connection Length (from base)	41	40	40	40
K	Cold Connection Length (from base)	51	50	50	50
	Hot Connection Length (from base)	42	42	39	39

SPECIFICATIONS	16L	20L	26L	32L
Hot Water Capacity	16L/min @ 25°C rise	20L/min @ 25°C rise	26L/min @ 25°C rise	32L/min @ 25°C rise
Star Rating*	6.2 Stars*	5.9 Stars*	5.8 Stars*	5.6 Stars*
Minimum Water Flow	2.4 litres/minute	2.4 litres/minute	2.4 litres/minute	2.4 litres/minute
Water Inlet Pressure	1000kPa (max.)	1000kPa (max.)	1000kPa (max.)	1000kPa (max.)
Water Connections (Inlet & Outlet)	R ^{1/2} /15 (1/2" BSP male)	R ^{3/4} /20 (3/4" BSP male)	R ^{3/4} /20 (3/4" BSP male)	R ^{3/4} /20 (3/4" BSP male)
Gas Type	Natural Gas or LPG	Natural Gas or LPG	Natural Gas or LPG	Natural Gas or LPG
Gas Consumption	125MJ/hr	160MJ/hr	199MJ/hr	250MJ/hr
Gas Connection	R ^{3/4} /20mm	R ^{3/4} /20mm	R ^{3/4} /20mm	R ^{3/4} /20mm
Dimensions (mm)	H:571 W:350 D:194	H:571 W:350 D:194	H:571 W:350 D:194	H:644 W:470 D:244
Net Weight (kg)	15	15	16	29
Controllers Available	Up to 4	Up to 4	Up to 4	Up to 4
Pre-set Temperature	50°C or 60°C	50°C or 60°C	50°C or 60°C	50°C or 60°C

* Based on 45 degree temperature rise in accordance with AS4552 Efficiency Star Rating

Warranty

Full warranty terms and conditions are in the product's Owner's Manual ("the warranty"), which you must comply with for a warranty claim to be honoured by Dux.

Our goods come with guarantees that cannot be excluded under the Australian Consumer Law. You are entitled to a replacement or refund for a major failure and for compensation for any other reasonably foreseeable loss or damage. You are also entitled to have the goods repaired or replaced if the goods fail to be of acceptable quality and the failure does not amount to a major failure.

Under the warranty, the transport, installation and labour costs of delivering the replacement hot water unit or solar collector and removing and replacing the existing hot water unit or solar collector with the replacement hot water unit or solar collector will be your responsibility, unless otherwise agreed by Dux. The benefits provided to you by the warranty are in addition to the guarantees and other rights and remedies available to you under the Australian Consumer Law.

How to Make a Warranty Claim

Warranty claims can be made at the point of sale or by posting or faxing a warranty claim to the manufacturer (contact details listed below) within one (1) month of the appearance of a defect. Warranty claims must include the following details: date of purchase, location of purchase, proof of purchase, date of installation, contact details, and product serial number.

Manufacturer's Contact Details

Address: Dux Manufacturing Limited, Lackey Road, Moss Vale, NSW, 2577, Australia • Telephone: 1300 365 115 (Australia), 0800 729 389 (New Zealand) • Email: marketing@dux.com.au



Contact Dux for your Hot Water Solutions

Sales: 1300 365 116 Service: 1300 365 115 Web Site: www.dux.com.au

©Dux Manufacturing Limited ABN 19 077 879 844. Lackey Rd, PO Box 209 Moss Vale, NSW 2577

The information supplied was correct at time of printing. Specification and materials may change without notice.

© and ™ indicate trademarks of Dux Manufacturing Limited. Dux Manufacturing Limited is part of a publicly listed Australian company.



GWA
Smarter Solutions