

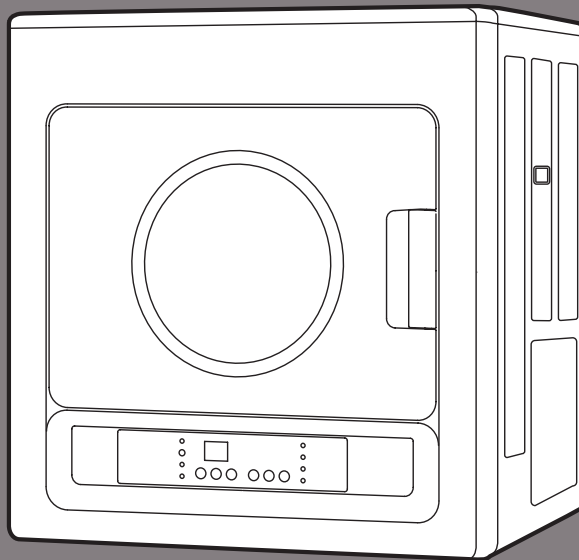
Rinnai

GAS DRYER

Dry-Soft[®] 4 & 6

Operation / Installation Manual

Models: RD-400AU & RD-600AU



This appliance shall be installed in accordance with:

- Manufacturer's Installation Instructions
- Current AS/NZS 3000, AS/NZS 3500 & AS 5601
- Local Regulations and Municipal Building Codes

This appliance must be installed, serviced and removed by an Authorised Person.



The Australian
Gas Association
All Rinnai gas products
are A.G.A. certified.



N10378



**Quality
Endorsed
Company**

ISO 9001 Lic 4983
SAI Global

Head Office Certified

Distributed and serviced in Australia under a Quality
System certified as complying with ISO 9001 by
SAI Global.

REGULATORY INFORMATION

This appliance must be installed, commissioned and serviced by an Authorised person in accordance with local gas, electrical and plumbing regulations.

The installation must also comply with these instructions.

The appliances referred to in this manual have been certified by the Australian Gas Association (AGA). The AGA Certification number is shown on the appliance dataplate.

Keep this manual in a safe place for future reference.

WARRANTY

WARRANTY TERMS

The benefits conferred by this warranty are in addition to all other rights and remedies in respect of the product which you have under the Trade Practices Act and similar State or Territory Laws. Given installation and application is in accordance with the manufacturers specifications and instructions, Rinnai gas dryers are warranted by Rinnai for the cost of labour and components in the event of defects arising from faulty materials and/or workmanship in accordance with the Terms in Table 1 and Warranty Conditions and Exclusions stated in this document and any additional conditions and exclusions stated in the Operating and/or Installation Instructions for the appliance.

	Free Labour Period	Free Parts Period
Domestic Use	2 Years	2 Years
Commercial Use	1 Year	1 Year

Table 1 Warranty Terms

Definition of Domestic Use

The warranty periods that are allocated under "Domestic Use" are based on the gas clothes dryer usage of a typical family and apply only to gas dryers installed in domestic dwellings.

Definition of Commercial Use

The warranty periods that are allocated under "Commercial Use" are for gas clothes dryers installed at premises such as commercial and industrial buildings, hotels, motels, caravan parks and sporting complexes.

WARRANTY CONDITIONS

1. Dated proof of purchase is required to be shown to the attending service person prior to the commencement of any warranty work.
2. The gas dryer and components must be installed in accordance with the Manufacturer's Installation Instructions, current AS 3000, AS 3500 and AS 5601, local regulations and municipal building codes. Gas dryers and components must only be installed, commissioned and removed by persons authorised by local regulations to do so and serviced and repaired by Rinnai approved technicians.
3. The warranty applies only to the components supplied by Rinnai. It does not apply to components supplied by others, such as isolating valves, electrical switches, pipework, electrical cables and fuses.
4. Where the gas dryer or it's components have not been sited in accordance with the Installation Instructions or are installed such that normal service access is difficult, a service charge may apply. At the discretion of the attending service person, if access is deemed dangerous service will be refused. Any work required to gain reasonable access to gas dryer components may also be chargeable at the discretion of the attending service person (for example, removal of cupboards, doors or walls, or the use of special equipment to move components to floor level).
5. Where a failed component is replaced under warranty, the balance of the original appliance warranty will remain effective. The replacement part or appliance does not carry a new warranty.
6. Rinnai reserve the right to transfer functional components from defective appliances if they are suitable.
7. Rinnai reserve the right to have the installed product returned to the factory for inspection.

WARRANTY EXCLUSIONS:

1. Accidental damage, acts of God, failure due to misuse, incorrect or unauthorized installations, attempts to repair the appliance other than by a Rinnai approved service technician.
2. Where it is found that there is no fault with the appliance and the issue is related to the installation or is due to the failure of electric or gas supplies or a corrosive atmosphere.

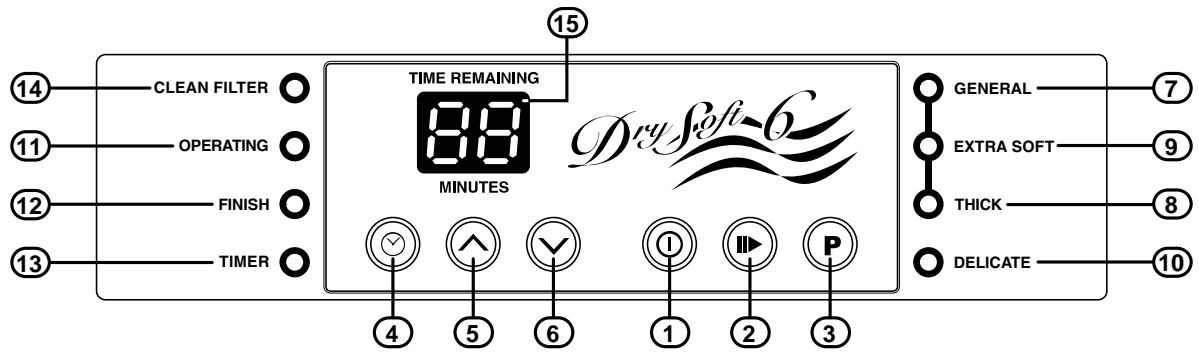
RINNAI DOES NOT ACCEPT LIABILITY FOR CONSEQUENTIAL DAMAGE OR ANY INCIDENTAL EXPENSES RESULTING FROM ANY BREACH OF THE WARRANTY.

OPERATION MANUAL

REGULATORY INFORMATION	i
WARRANTY	i
ABOUT YOUR DRY-SOFT GAS DRYER	1
CONTROL PANEL NAVIGATION	1
OVERVIEW OF APPLIANCE	2
SAFETY INFORMATION	3
FEATURES AND BENEFITS	4
OPERATION	4
GENERAL INFORMATION	4
FABRIC CARE AND DRYING HINTS	4
ITEMS UNSUITABLE FOR TUMBLE DRYING	5
CHOICE OF OPERATING MODES AND CYCLES	5
DRYING PROGRAMMES	5
OPERATIONAL TIME.....	5
OPERATION IN AUTOMATIC MODE	6
OPERATION IN TIMER MODE	6
CARE AND MAINTENANCE	7
CLEANING THE LINT FILTER	7
CLEANING THE BACK FILTER	7
CLEANING THE AIR INLET FILTER.....	8
CLEANING THE HEATER BODY	8
SAFETY DEVICES	8
TROUBLE SHOOTING	9
TROUBLE SHOOTING CHECK LIST	9
GENERAL DRYER CHARACTERISTICS	9
ERROR CODES	10
SERVICE	10
INSTALLATION	12
APPLIANCE DETAILS	20
CONTACT INFORMATION	21

ABOUT YOUR DRY-SOFT GAS DRYER

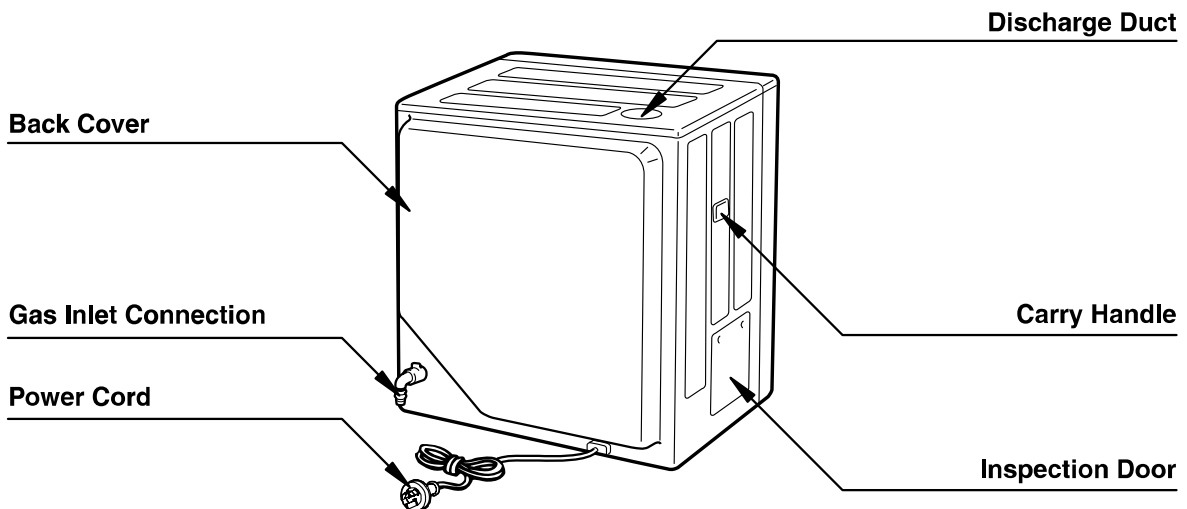
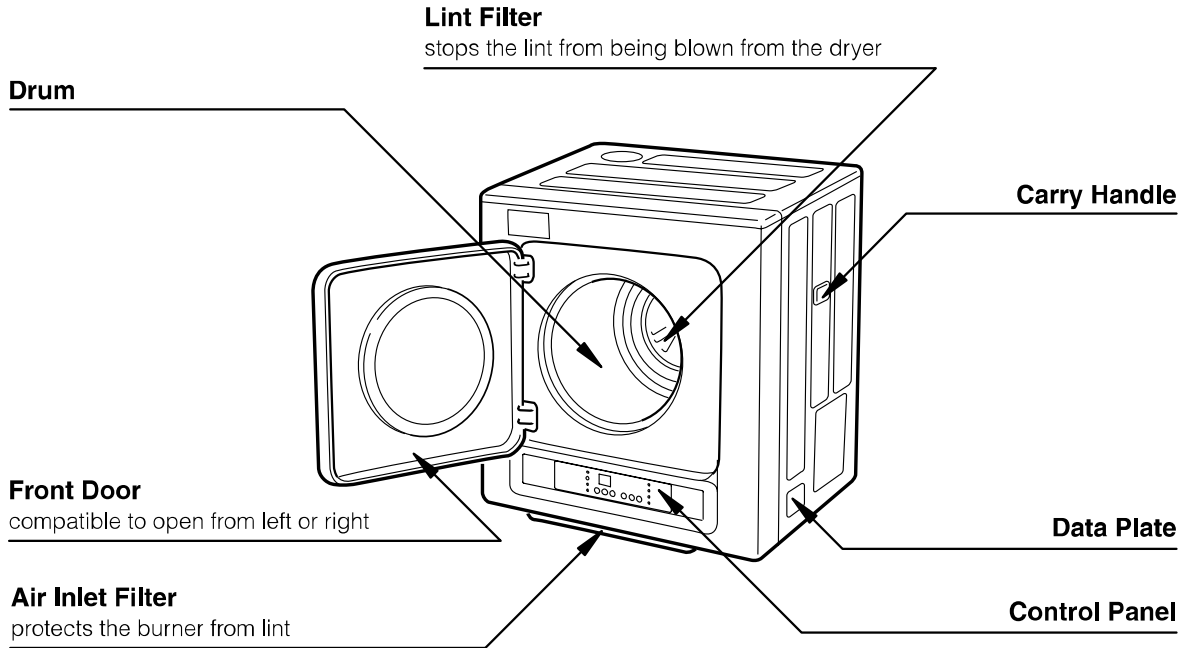
CONTROL PANEL NAVIGATION



- ① ON / OFF BUTTON**
Turn 'ON' and 'OFF' the electric power supply to the appliance.
- ② START/PAUSE BUTTON**
Start and pause the drying function.
- ③ PROGRAM BUTTON**
Select the drying programme.
- ④ TIMER BUTTON**
Select operation in Timer mode.
- ⑤ 'UP' BUTTON**
Increase the drying time (operation in Timer mode only).
- ⑥ 'DOWN' BUTTON**
Decrease the drying time (operation in Timer mode only).
- ⑦ GENERAL INDICATOR**
Illuminates green when the 'General' drying mode has been selected.
- ⑧ THICK INDICATOR**
Illuminates green when the 'Thick' drying mode has been selected.
- ⑨ EXTRA SOFT INDICATOR**
Illuminates green when the 'Extra Soft' drying mode has been selected.
- ⑩ DELICATE INDICATOR**
Illuminates green when the 'Delicate' drying mode has been selected.
- ⑪ OPERATION INDICATOR**
Illuminates green when drying function has started but the gas burner is not ignited. Illuminates red when the gas burner is ignited.
- ⑫ FINISH INDICATOR**
Illuminates green when drying is completed.
- ⑬ TIMER INDICATOR**
Illuminates green during operation in Timer mode.
- ⑭ CLEAN FILTER INDICATOR**
Illuminates red when the filter requires cleaning.
- ⑮ DIGITAL DISPLAY**
Indicates remaining drying time and error codes.

ABOUT YOUR DRY-SOFT GAS DRYER

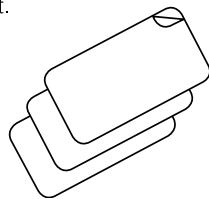
OVERVIEW OF APPLIANCE



ADDITIONAL ITEMS LOCATED INSIDE DRUM

Self-adhesive Plastic Cover × 3 pieces

Used when changing door opening direction from left to right.



M5x35 Screw and Washer × 4 pieces

Used to secure dryer to wall mounting bracket(s) DS4BKT or DS6BKT



SAFETY INFORMATION



DO NOT OPERATE THIS APPLIANCE BEFORE READING THE INSTRUCTION BOOKLET.
DO NOT PLACE ARTICLES ON OR AGAINST THIS APPLIANCE.
DO NOT STORE CHEMICALS OR FLAMMABLE MATERIALS, OR SPRAY AEROSOLS NEAR THIS APPLIANCE.
DO NOT OPERATE WITH PANELS, COVERS OR GUARDS REMOVED FROM THIS APPLIANCE.
DO NOT LOAD MATERIALS CONTAINING FLAMMABLE SOLVENTS INTO THIS APPLIANCE



- Ensure all articles are removed from pockets. These include flammable items such as matches and cigarette lighters.
- **DO NOT** dry clothes or materials containing foam, glue or other flammable substances or materials.
- **DO NOT** use this appliance to dry off solvents, dry-cleaning fluids or other flammable substances.
- **DO NOT** dry articles that have come into contact with cooking oils, petrol, dry cleaning solvents or other flammable or explosive substances. These substances may emit vapours or cause a chemical reaction resulting in fire or explosion.
- **DO NOT** operate the dryer whilst the **CLEAN FILTER** light is on. Any lint must be regularly removed in accordance with these instructions.
- **DO NOT** open the dryer door whilst the dryer is in operation. The dryer door should only be opened after the **FINISH** light illuminates.
- When the dryer cycle is finished, take care when removing laundry items. They may still be warm or **HOT**.
- **DO NOT** use the gas clothes dryer for any purpose other than the drying of clothes.
- Fresh air ventilation openings shall not be blocked and/or sealed.
- This appliance is not intended for use by young children or infirm persons without supervision. Young children should be supervised to ensure they do not play with this appliance.
- **DO NOT** cover or place any articles on or against this appliance.
- **DO NOT** store chemicals or flammable materials or spray aerosols near this appliance.
- **DO NOT** unplug the electric power cord whilst in operation.
- Ensure clothes **DO NOT** get stuck between the dryer door and drum. Appliance and clothing damage may occur and an unsafe situation could result.
- **DO NOT** operate these appliances without the exhaust duct. These appliances must be operated with the exhaust duct connected and terminated in accordance with these instructions.
- If the supply cord is damaged, it must be replaced by the manufacturer, its service agent or similarly qualified person in order to avoid a hazard.

FEATURES AND BENEFITS

1. **Quick Drying** - The range of Rinnai gas clothes dryers utilise gas as the drying medium rather than electricity. This results in a considerable reduction in drying time when compared to most electric clothes dryers.
2. **Economical** - The range of Rinnai gas clothes dryers are highly efficient. In addition, they utilise gas rather than electricity as the drying medium. Depending on the gas type used considerable running costs savings are possible when compared to electric clothes dryers.
3. **Soft Clothes** - Using gas as the drying medium results in clothes that feel softer when compared to electric clothes dryers.
4. **Automatic Operation** - Dryer stops automatically when drying is completed. This eliminates the need by the user to guess how long drying might take.
5. **Time remaining indicator** - Indicates the remaining time for completion of drying.
6. **Exhaust Duct** - The exhaust duct vents to outside. This prevents the discharge of moist air, dust and lint into the room containing the clothes dryer.

OPERATION

GENERAL INFORMATION

- Do not exceed the maximum drying load:
 - The Maximum load for the Dry-Soft® 4 (Model RD-400AU) is 4 kg.
 - The Maximum load for the Dry-Soft® 6 (Model RD-600AU) is 6 kg.Exceeding the maximum drying load may result in uneven drying or appliance malfunction.
- Ensure clothes have been spin dried by a washing machine before placing into the gas clothes dryer. Wet clothes may damage the dryer and will take excessively long to dry.
- Ensure washing detergents, bleaches and fabric softeners have been fully rinsed from clothes before placing them into the gas clothes dryer. These substances may damage internal dryer components.
- It is preferable that the space in which the gas clothes dryer is installed is well ventilated. This can be achieved by opening a window during use.

FABRIC CARE AND DRYING HINTS

Read the fabric care label attached to most clothes to confirm if they are suitable for tumble drying and, if so, select the drying cycle recommended by the manufacturer. In the absence of manufacturer recommendations Rinnai suggests the following:

- Use the 'GENERAL' cycle for items such as towels, shirts and underwear.
- Use the 'DELICATE' drying cycle for frayed or synthetic items (such as nylon stockings) or thin fabrics. It is recommended that these items are placed in a laundry bag for protection during drying.
- Use the 'THICK' drying cycle for items such as jeans, sweatshirts or heavier winter clothes.
- If thick items are mixed with thin items, select the 'THICK' drying cycle.
- The volume of clothes in the dryer should be limited to approximately 70% of the actual drum volume to maintain drying efficiency. If the volume of clothes exceeds 70% drying efficiency will be reduced.
- Lint producing items (such as towels) should be dried separately to prevent the lint catching onto other items during drying.
- For items with zippers, close the zippers and dry inside out to prevent damage to the dryer components. The same applies to items with metallic buttons.

OPERATION

ITEMS UNSUITABLE FOR TUMBLE DRYING

- Do not tumble dry fabrics if the care label states that tumble drying is not suitable. These may include items made from silk, wool, wool blends, leather, lace or hemp. These fabrics may shrink, deform or fade. The same applies to items with printing or glued emblems which may fade or separate.
- Non breathable fabrics, materials or items such as rain coats, leather, glued clothes, quilts, mats, carpet, stuffed cushions and toys are unsuitable for tumble drying.

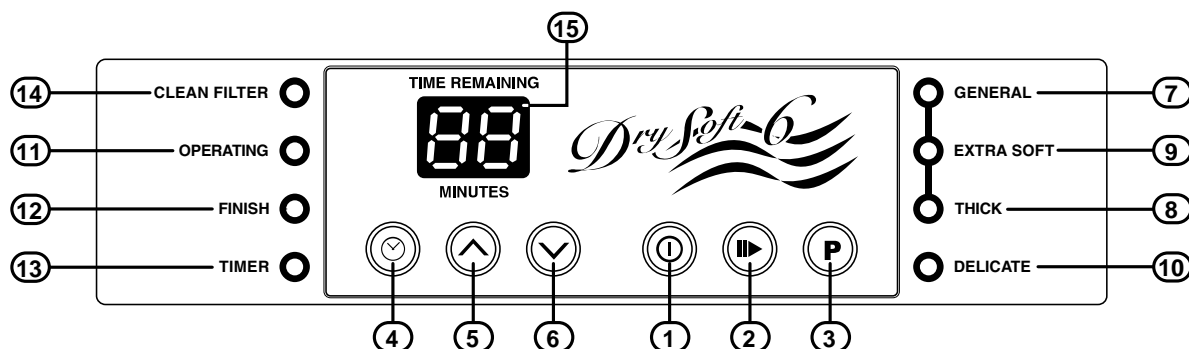
CHOICE OF OPERATING MODES AND CYCLES

Four operating modes are available as follows:

- ⑦ **GENERAL**: During the 'General' mode the gas dryer operates at full drying capacity.
- ⑧ **THICK**: During the 'Thick' mode the gas dryer operates for longer than in the general or delicate modes.
- ⑨ **EXTRA SOFT**: This mode applies in conjunction with **GENERAL** ⑦ or **THICK** ⑧ modes. When selected, the drying function stops intermittently. The drum stops rotating and cool air is blown into the drying drum momentarily for 12 seconds every 4 minutes for a total cycle time of up to 120 minutes. This results in fabric that feels softer.
- ⑩ **DELICATE**: During the 'Delicate' mode the gas dryer operates at approximately half the drying capacity.



If the dryer door is opened during an operation cycle, the 'Extra Soft' function is cancelled. There is no gas consumption during 'Extra Soft' operation.



DRYING PROGRAMMES

Five drying programmes are available as follows:

GENERAL + EXTRA SOFT (Combines the GENERAL and EXTRA SOFT Programme modes)

GENERAL

THICK + EXTRA SOFT (Combines the THICK and EXTRA SOFT Programme modes)

THICK

DELICATE

OPERATIONAL TIME

In automatic mode, the dryer senses the clothes volume, moisture content and drying progress continuously. It will operate the drying function for the required amount of time for the clothes to be dried sufficiently. The approximate remaining drying time is indicated on the digital display ⑮.



The remaining drying time indicated is approximate only and will be less accurate if the 'CLEAN FILTER' indicator ⑭ is illuminated.

In timer mode, the user selects the duration for drying and the dryer will operate for the selected period regardless of whether clothes are dry or not. The remaining drying time is indicated on the digital display ⑮.

OPERATION

OPERATION IN AUTOMATIC MODE

1. Open the dryer door and place items selected for drying evenly into the dryer drum. Close the dryer door and press the 'On/Off' button (1). The default drying programme is set to **GENERAL (7) + EXTRA SOFT (9)** and these mode indicators will be illuminated.

2. To select an alternative drying programme press the 'Programme' button (3) until the desired mode indicator illuminates. The drying programmes cycle through the following sequence:



3. Press the 'Start / Pause' button (2). The 'OPERATING' (Combustion) indicator (11) will show green, and will change to red after burner ignition which may take up to 10 seconds.

4. Drying will now commence. The approximate remaining drying time will be indicated on the digital display (15). The 'OPERATING' (Combustion) indicator (11) may alternate between showing green and red, however this is normal.

5. The dryer will stop when items are sufficiently dry. A tone will sound 3 times and the 'FINISH' indicator (12) will illuminate.



Before opening the dryer door, ensure the 'OPERATING' (Combustion) indicator (11) shows green.

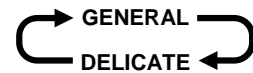
If the dryer door is opened and closed during operation the dryer will go through a cool down, purge and relight sequence that takes approximately 1 to 2 minutes.

OPERATION IN TIMER MODE

1. Open the dryer door and place items selected for drying evenly into the dryer drum. Close the dryer door and press the 'On/Off' button (1).

2. Press the 'Timer' button (4), the 'TIMER' indicator (13) illuminates and the default drying programme is **GENERAL (7)** and this mode indicator will be illuminated.

3. There are only two drying programmes available in "Timer" mode, these are **GENERAL (7)** and **DELICATE (10)**, press the 'Timer' button (4) until the desired programme mode indicator illuminates.



4. The default drying time in minutes is shown on the digital display (15). Change the drying time by pressing the 'up' (5) or 'down' (6) buttons. The drying times that can be selected are 5,10,15,20,25,30,40,50,60,70* and 80* minutes (*Dry-Soft 6 model only).



The 'default' drying time is 20 minutes when the appliance is first connected to the electric power supply. If the appliance has operated in timer mode previously the previous drying time selected will be shown as the default drying time.

5. Press the 'Start / Pause' button (2), the 'TIMER' indicator (13) will begin to flash to signify that a 'Timer' operation has begun. The 'Operating / Combustion' indicator (9) will show green and will change to red after burner ignition which may take up to 10 seconds.

6. Drying will now commence. The approximate remaining drying time will be indicated on the digital display (15) and will counted down in 5 minute increments. During operation the time may be increased and decreased as desired by pressing the 'up' (5) or 'down' (6) buttons. The 'OPERATING' (Combustion) indicator (11) will show green towards the end of the drying cycle, this is normal.

7. The dryer will stop when the drying time has elapsed. A tone will sound 3 times, the 'TIMER' indicator (13) will stop flashing and the 'FINISH' indicator (12) will be illuminated.



Before opening the dryer door, ensure the 'OPERATING' (Combustion) indicator (11) shows green.

If the dryer door is opened and closed during operation the dryer will go through a cool down, purge and relight sequence that takes approximately 1 to 2 minutes.

CARE AND MAINTENANCE

CLEANING THE LINT FILTER

The lint filter should be cleaned after every drying cycle. Regular cleaning is important to maintain drying efficiency.

The 'CLEAN FILTER' indicator (14) illuminates when the lint filter is too blocked and requires cleaning.

A alarm will also sound after operation stops for 5 minutes or until the dryer door is opened, whichever comes first.

If the lint filter is not cleaned, the appliance will eventually stop operating and an 'error' code will show on the digital display (15). Refer to the Trouble Shooting section on page 10 for details.

Clean the lint filter as follows:

- 1 Reach inside the drum of the dryer and remove the lint pocket/filter from the dryer by pulling on the four finger slots of the lint pocket/filter.
- 2 Separate the lint filter from the lint pocket by pulling apart as shown.
- 3 Remove any lint from the lint filter by using your hands, a soft cloth or a soft brush as shown. If removal of the lint proves difficult, the lint filter may also be cleaned with the assistance of **COLD** water and a soft cloth or brush.



If water is used to clean the lint filter, then it MUST BE thoroughly dried before it can be re-installed.

- 4 Place the lint filter back into the lint pocket, before attempting to push lint pocket and lint filter back together ensure that the slotted ring of the lint filter is forward most.

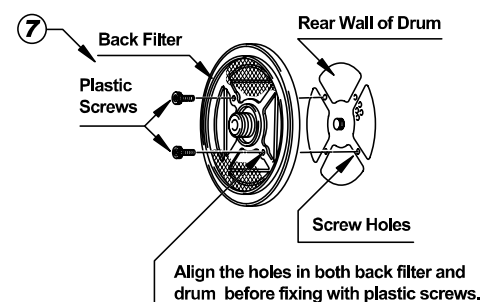
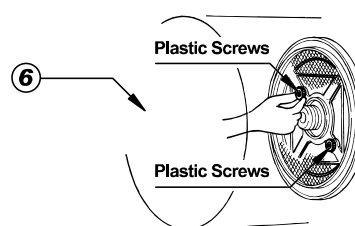
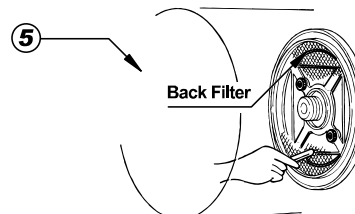
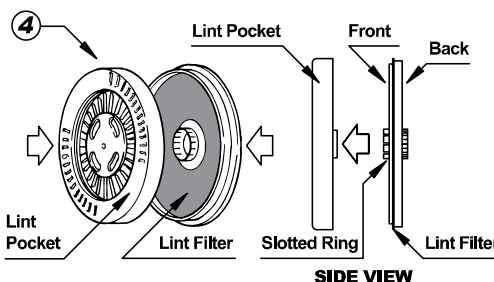
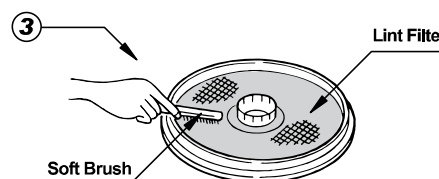
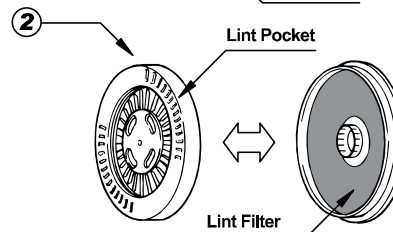
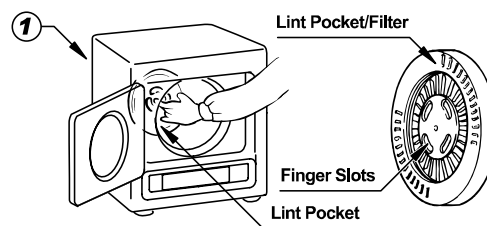
CLEANING THE BACK FILTER

- 5 The back filter is located inside the drum behind the lint pocket/filter. It should be cleaned after every drying cycle. It can usually be cleaned without removal by using a soft cloth or brush.



Ensure dust removed from the back filter does not remain in the drum.

- 6 If removal is required for cleaning, loosen the two white plastic screws by hand or with the aid of a phillip's screw driver.
- 7 When re-inserting the back filter, align the holes in the back filter to those in the back of the drum as shown, insert the two white plastic screws and hand tighten.



CARE AND MAINTENANCE

CLEANING THE AIR INLET FILTER

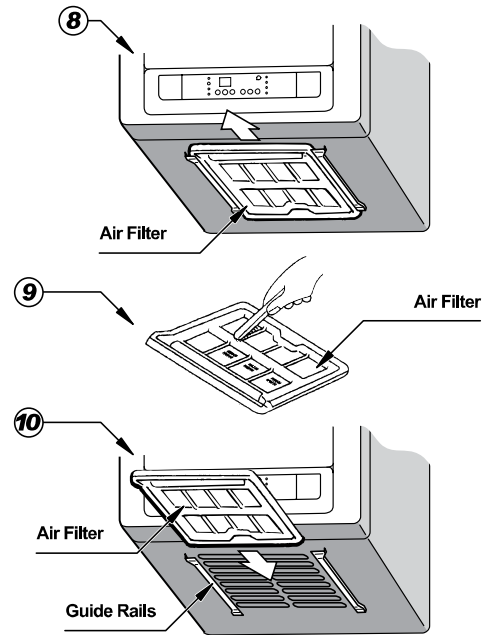
- ⑧ The air inlet filter is located at the bottom of the appliance. Pull it out as shown.
- ⑨ Remove any dust from the air filter by using your hands, a soft cloth or a soft brush as shown.

If removal of the lint proves difficult, the air filter may also be cleaned with the assistance of **COLD** water and a soft cloth or brush.

- ⑩ After removing dust, re-insert the air inlet filter. The sides of the filter are located and guided by rails at the bottom of the dryer body.



If water is used to clean the air filter, then it **MUST BE** thoroughly dried before it can be re-installed.



CLEANING THE HEATER BODY

Unplug the electrical cord before cleaning. All external parts of the appliance can be cleaned using a soft, damp cloth and mild detergent.



DO NOT USE SOLVENTS FOR CLEANING THIS APPLIANCE.

SAFETY DEVICES

For your safety and peace of mind the Dry-Soft® range of gas clothes dryers are fitted with following safety devices:

Flame failure sensing

Appliances shuts down in case of flame failure.

Drying drum overheat switch

Appliance shuts down in case the drying drum overheats. Self resetting.

Electric motor overheat switch

Appliance shuts down in case the motor overheats. Self resetting.

Drum Belt safety switch

Appliance shuts down in case of drum belt breakage.

Door Switch

Appliance cannot start unless appliance door is properly closed.

Blocked filter warning

Filter indicator lights up in case of blocked filter(s).

Electric Fuses

Protects appliance in case of electrical overload.

TROUBLE SHOOTING

TROUBLE SHOOTING CHECK LIST

Please check the following list before calling for Service. Service calls may be charged if faults are caused by operation errors. Refer to the Warranty Conditions for more details.

If the dryer does not operate at all, check to see if the digital display is flashing with two numbers. If yes, refer to "ERROR CODES" on page 10. If no, check the following items:

- Is the gas supply turned on?
- Is the electrical plug connected to the power supply and is the power supply switched on?
- Is electrical power available? Check supply fuses are serviceable.
- Have the 'On/Off' and 'Start Pause' buttons been pressed in accordance with these instructions?
- Is the dryer door properly closed?
- Is the digital display flashing with two numbers?

If the dryer takes too long to dry or clothing is not drying well, check the following items:

- Is the 'CLEAN FILTER' indicator (14) illuminated? If yes, clean the filters in accordance with the 'CARE AND MAINTENANCE' instructions on page 7.
- Ensure garments have been through the washing machine spin cycle before loading into the appliance for drying.
- Ensure garments for drying are not added during operation.
- Ensure the 'THICK' drying programme has been selected if thick garments are being dried.

GENERAL DRYER CHARACTERISTICS

The following symptoms are part of the normal operation of the appliance and do not indicate a fault:

SYMPTOMS	REASON
The drum is turning even after the finishing tone has sounded.	Dryer is operating under the 'Extra Soft' programme. Opening the dryer door will cancel the 'Extra Soft' programme.
There is a delay after pressing the 'Start/Pause' switch (2) before the Operating indicator shows red.	It may take some time before the burner ignites and combustion starts. This is a normal operational characteristic, however if the burner does not ignite at all, contact Rinnai.
Steam is emitted from the discharge duct terminal.	High efficiency appliances tend to discharge steam, especially on cold days. This is normal.
There are some clicking noises after drying first starts and after the drying cycle has finished.	This is due to the expansion and contraction of burner components with heat and is a normal operational characteristic.
The 'time remaining' shown in the digital display has not changed for a number of minutes.	During operation in Automatic mode, the control system continually calculates the remaining drying time based on the rate of drying of garments. This is a normal operational characteristic.

TROUBLE SHOOTING

ERROR CODES

Rinnai Dry-Soft gas clothes dryers have a self diagnostic function. If a fault occurs, a 2 digit code will flash on the Digital Display (15) on the control panel. This assists with diagnosing the fault and may enable a problem to be solved without the need for attendance by service personnel. Please quote the code displayed when arranging a service call.

Code(s) Displayed	Possible Cause	Remedy
05, 32, 90	Filter Blockage(s)	Check and clean lint filter, back filter and air inlet filter.
11	Ignition Failure	Check the gas supply is turned 'on'. Turn appliance 'off' then 'on' again. Arrange for service if the above does not remedy the fault.
12	Flame Failure	Check the gas supply is turned on fully. Check and clean lint filter, back filter and air inlet filter Arrange for service if the above does not remedy the fault.
Other	-	Arrange for service.

SERVICE

Rinnai recommend that this appliance be serviced every 2 years.

Any service or repair work should only be carried out by an authorised person. Rinnai Australia has a service and spare part network in all States. Rinnai service personnel are fully trained and equipped to provide the best service for Rinnai appliances. If your appliance needs servicing, ring the Helpline contact numbers on the back of this manual.



Service calls for general cleaning, maintenance and wear and tear are not necessarily covered under the warranty. Service calls of this nature may be chargeable.

If the power supply cord or any other component of the dryer are damaged, they must be replaced by Rinnai or an Authorised person.

Service and repair work must be carried out by an Authorised person.

INSTALLATION MANUAL

SPECIFICATIONS	12
POSITIONING OF THE APPLIANCE	13
GAS CONNECTION AND SUPPLY	13
ELECTRICAL SUPPLY	14
APPLIANCE MOUNTING OPTIONS	14
FLOOR MOUNTING.....	14
BENCH OR SHELF MOUNTING.....	14
WALL MOUNTING	14
WALL MOUNTING BRACKET ASSEMBLY	15
WALL MOUNTING BRACKET AND DRYER INSTALLATION.....	15
SWAPPING DOOR FROM LEFT TO RIGHT OPENING	16
EXHAUST DUCT	17
HORIZONTAL AND VERTICAL TERMINAL CLEARANCES.....	17
VENTILATION REQUIREMENTS	17
EXHAUST DUCT SYSTEM COMPONENTS:	18
ATTACHING THE APPLIANCE ADAPTER SPIGOT	18
ATTACHING EXHAUST DUCT LENGTHS	18
ATTACHING EXHAUST DUCT VERTICAL ROOF TERMINAL.....	18
ATTACHING EXHAUST DUCT HORIZONTAL WALL TERMINAL.....	18
EXHAUST DUCT INSTALLATION OPTIONS	19

INSTALLATION

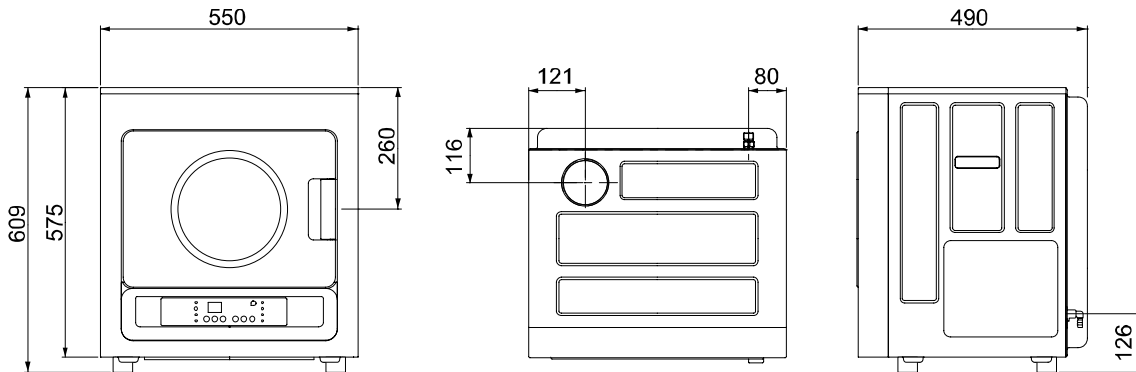
SPECIFICATIONS

Description:	Rinnai Gas Dryer - Dry-Soft® 4		Rinnai Gas Dryer - Dry-Soft® 6	
Model:	RD-400AU		RD-600AU	
Dimensions (mm)	Height: 609, Width: 550, Depth: 490		Height: 684, Width: 650, Depth: 530	
Gas Consumption	13 MJ/h		16.5 MJ/h	
Gas Supply Pressure (kPa)	Natural	Propane	Natural	Propane
	1.13 / 2.75	2.75	1.13 / 2.75	2.75
Weight: (Body only)	27.0 kg		32.4 kg	
Standard Drying Capacity	4 kg per time		6 kg per time	
Standard Drying Time	60 minutes		60 minutes	
Gas Connection	½" female flared fitting		½" female flared fitting	
Power Supply	240V (50 Hz)		240V (50 Hz)	
Electric Consumption	260 Watts		280 Watts	
Power Cord Length	1.5 metres		1.5 metres	
Safety Devices	Flame failure sensing Drying drum overheat switch Electric motor overheat switch Drum Belt safety switch Door Switch Blocked filter warning Electric Fuses		Flame failure sensing Drying drum overheat switch Electric motor overheat switch Drum Belt safety switch Door Switch Blocked filter warning Electric Fuses	

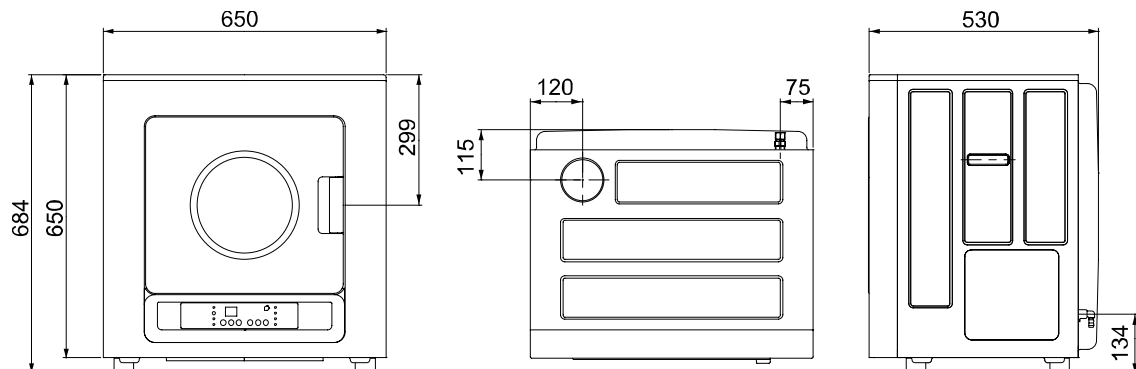


All dimensions in this manual are in millimetres (mm) unless otherwise stated.

Appliance Dimensions RD-400AU



Appliance Dimensions RD-600AU



INSTALLATION



This appliance shall be installed in accordance with:

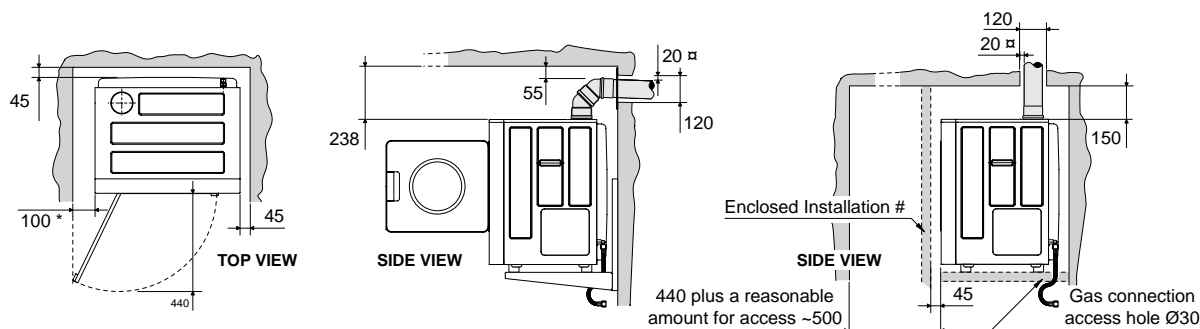
- Manufacturers' Installation Instructions
- Local gas fitting regulations
- Municipal building codes
- AS 5601 Gas Installations and AS/NZS 3000 Wiring Rules
- Any other relevant Statutory Regulations

This appliance must be installed, serviced and removed by an Authorised Person.

POSITIONING OF THE APPLIANCE

The main considerations when positioning the dryer are:

- Ensuring all minimum clearance requirements as shown are met.
- The location / termination of the exhaust duct system and terminal (To comply with AS 5601).
- Allowing sufficient access for ease of operation, servicing and removal of the appliance.
- Ensuring there is access to the exhaust duct connection, gas connection and air inlet filter to the appliance in the installed position.
- Ensuring there is enough 'flex' in the flexible gas hose when the appliance is in the installed position to allow for vibration which may occur during operation.
- Ensuring a 20mm(□) minimum clearance between the exhaust duct and any combustible materials.
- Ensuring that a 100mm(*) gap is provided for the opening swing of the dryer door. The dryer door can be hinged from the left or right hand sides and therefore a gap must be provided appropriately.
- The access door of an enclosed installation(#) must be vented with a minimum open area of 250cm² (See item ⑦ on page 17). A Rinnai 'VENT' ③ is suitable for this purpose.



Chemicals or flammable materials must not be stored near the appliance or the exhaust duct. This applies especially if the dryer is positioned onto shelves or inside a cupboard.



GAS CONNECTION AND SUPPLY

The position of the gas connection is shown in "Appliance Dimensions RD-400AU / RD-600AU" on page 12. The appliance is supplied with a 300mm braided flexible gas hose with a ½" female flared fitting for connection to the consumer piping. For gas supply pressures refer to "SPECIFICATIONS" on page 12.



The connection between the gas supply consumer piping and the flexible 300mm gas hose flared connection must be accessible for disconnection and reconnection when the appliance is in the final installed position.

There must be enough 'flex' in the flexible gas hose when the dryer is installed to allow for any vibration of the dryer that may occur during operation.

Gas pipe sizing must consider the gas input to this appliance as well as all other gas appliances in the premises. The gas meter and regulator must be specified for the total gas rate. Suitable sizing chart such as the one in AS 5601 should be used.

All foreign materials such as swarf must be purged from the gas supply, as they may cause the gas control valve to malfunction.

INSTALLATION

ELECTRICAL SUPPLY

This appliance is supplied with a 1.5 metre long power cord with a three pin plug. Rinnai recommends that the dryer be plugged into a dedicated 240V, 10A earthed power point.

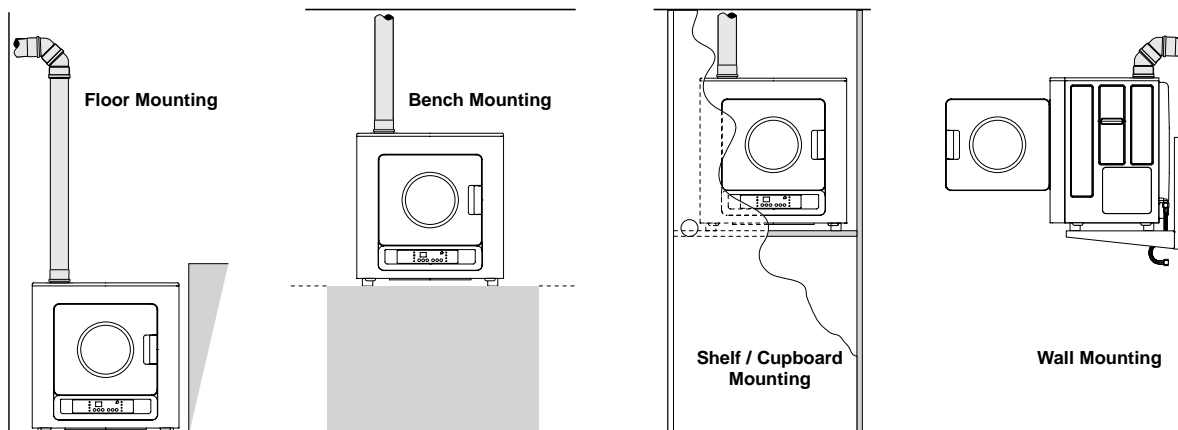
Alternatively the appliance can be direct wired if the power supply is to be concealed.



Consult a qualified electrician if direct wiring is required as it must comply with the requirements of AS 5601, AS 3000 and any other relevant local regulations.

APPLIANCE MOUNTING OPTIONS

Rinnai gas dryers may be floor, bench, shelf or wall mounted.



FLOOR MOUNTING

There are no specific requirements for floor mounting of the appliance other than those that are listed under “POSITIONING OF THE APPLIANCE” on page 13.

BENCH OR SHELF MOUNTING

Position the appliance in accordance with the requirements that are listed under “POSITIONING OF THE APPLIANCE” on page 13.

When bench or shelf mounted, the appliance is supported by the four rubberised ‘feet’ at the base of the appliance. These do not need to be fastened or secured to the bench or shelf. The following items must be considered:

- The bench or shelf and it’s support(s) should be of sufficient strength and construction to support the weight of a fully loaded dryer plus the weight of any other goods it is intended to support. The loaded weight allowances are Dry-Soft 4, 35kg and Dry-Soft 6, 45kg.
- Stability of the appliance. The bench or shelf dimension must have at least the same width and depth as that of the appliance to provide sufficient area to support the four rubberised ‘feet’ at the base of the appliance and allow for slight movement that may occur during operation.

WALL MOUNTING

Position the appliance in accordance with the requirements that are listed under “POSITIONING OF THE APPLIANCE” on page 13

If the dryer is to be wall mounted, the following must be considered:

- Only the Rinnai wall mounting bracket must be used (Order codes: DS4BKT for Dry-Soft 4 and DS6BKT for Dry-Soft 6). Alternative brackets or wall mounting options are unsuitable.
- The wall and method for fastening the wall mounting bracket to the wall must be of sufficient strength and construction to support the weight of a fully loaded dryer. The loaded weight allowances are Dry-Soft 4, 35kg and Dry-Soft 6, 45kg.
- The four rubberised ‘feet’ at the base of the appliance must be securely fastened to the base of the mounting bracket using the 4 mounting screws supplied (See “WALL MOUNTING BRACKET AND DRYER INSTALLATION” on page 15).

INSTALLATION

WALL MOUNTING BRACKET ASSEMBLY

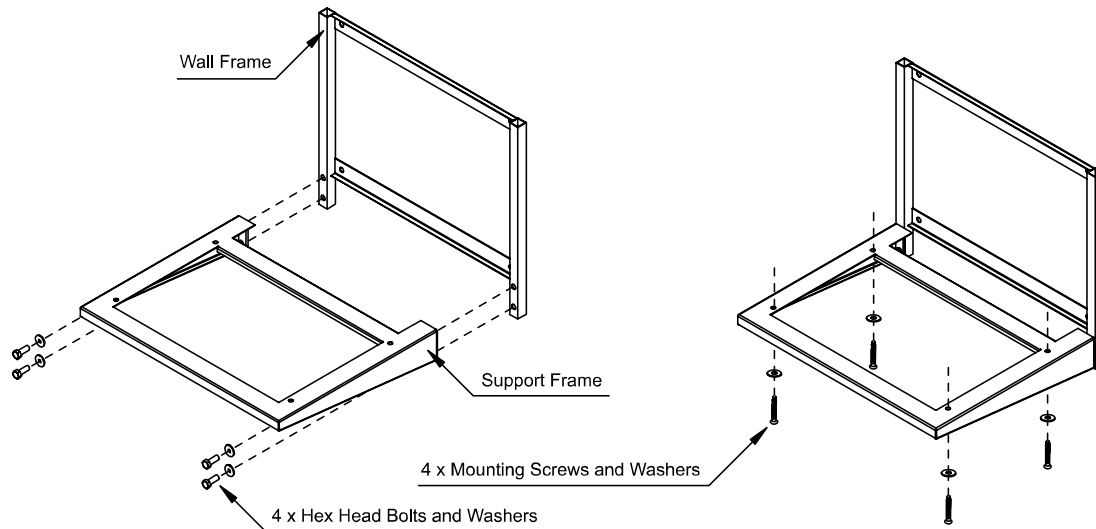
The wall mounting bracket is provided in kit form with the following components:

1 x Wall Frame

1 x Support Frame

4 x Hex Head Bolts and Washers

4 x Mounting Screws and Washers



Some minor assembly is required before the wall mounting bracket can be fixed to the wall.

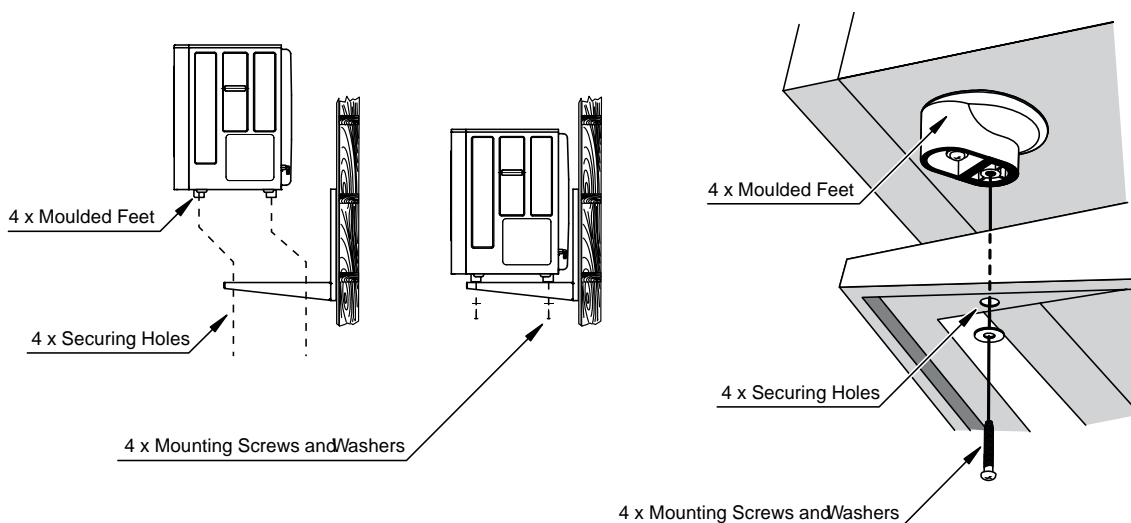
To assemble the wall mounting bracket use the four hex head bolts and washers provided and securely attach the support frame to the wall frame.

WALL MOUNTING BRACKET AND DRYER INSTALLATION

Attache the wall mounting bracket to a suitable wall with appropriate fixings.

Lift the dryer onto the installed wall mounting bracket taking care to locate the four securing holes of the support frame with the four inner most holes of the appliances moulded feet.

Secure the Dryer to the frame with the four mounting screws and washers provided.

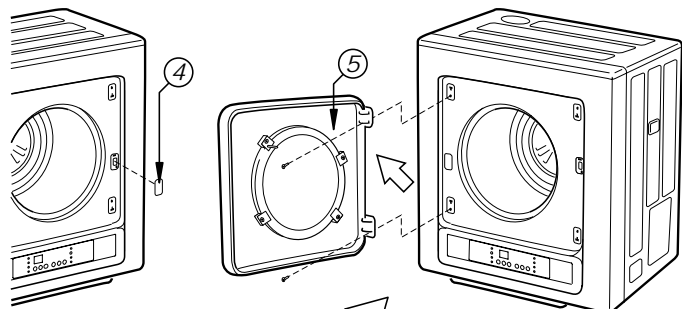
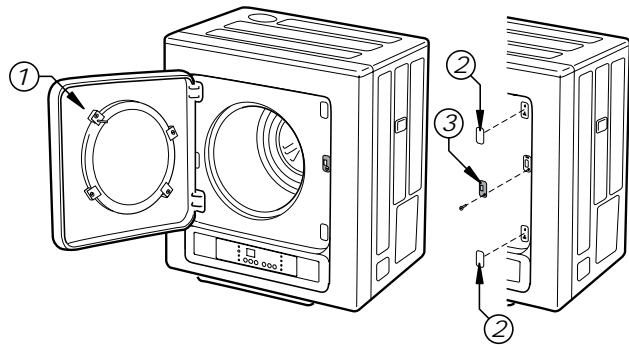


INSTALLATION

SWAPPING DOOR FROM LEFT TO RIGHT OPENING

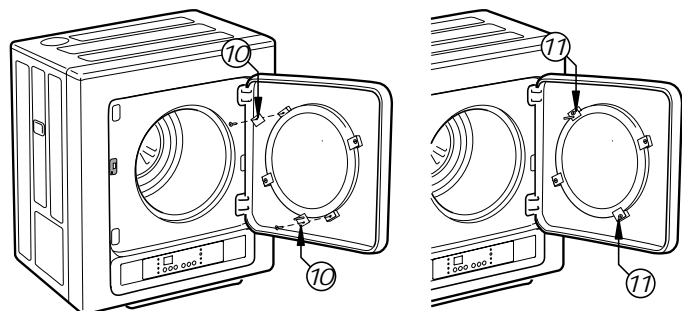
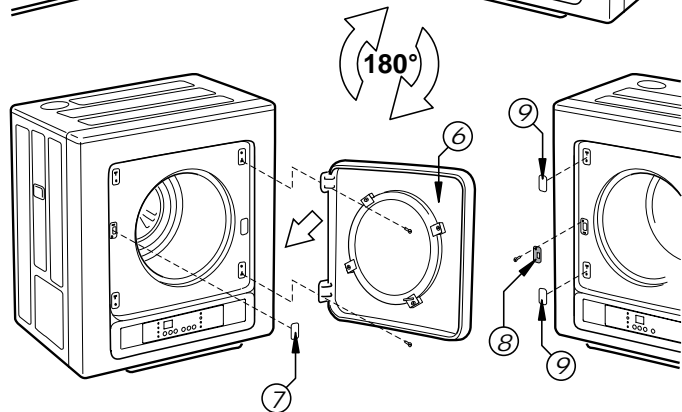
The dryer access door may be swapped from a left handed opening as supplied from the factory to a right handed opening. When changing door opening direction ensure the appropriate clearances are provided. Refer to "POSITIONING OF THE APPLIANCE" on page 13 for clearance details.

- ① Open the dryer door fully so that it locks in the open position.
- ② Remove the two plastic tabs from the appliance body to reveal the right hand door hinge attachment points.
- ③ Unscrew and remove the door latch from the left handed position.
- ④ Apply one of the three self-adhesive plastic tabs (supplied with the appliance) over the left handed door latch attachment point.
- ⑤ With the door still locked in the open position remove the retaining screws for each of the upper and lower hinges. Remove the door with the hinges attached by using an upward motion to disengage the 'T' shaped slots of the left handed hinge attachment points.



After removing the door the from the appliance the upper hinge will be locked into position. However care must be taken as the lower hinge is only held in place by gravity.

- ⑥ Rotate the door by 180°, ensuring that the lower hinge is held in place and re-attach the door to the right hand attachment points by engaging the 'T' shaped slots with a downward motion. Secure both the upper and lower hinges with a retaining screw.
- ⑦ Remove the plastic tab from the appliance body to reveal the right hand door latch attachment point.
- ⑧ Attach the door latch removed in step ③ to the above attachment point.
- ⑨ Using the remaining two self-adhesive plastic tabs cover up the left hand door hinge attachment points.



- ⑩ Remove both the door window retaining bracket that has the 25mm pin and the door window retaining bracket that is diagonally opposite.
- ⑪ Reverse the above brackets by 180° and re-attach them to the door so that the pinned bracket is now in the upper most position.

INSTALLATION

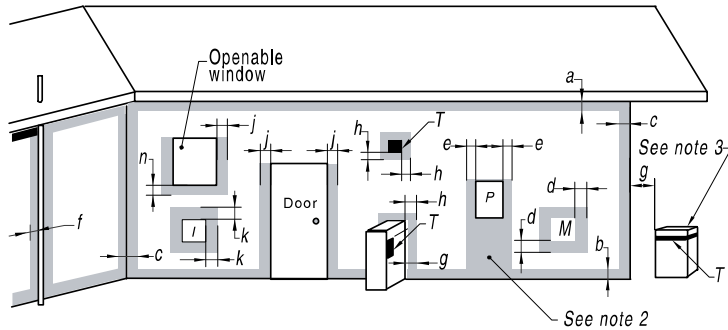
EXHAUST DUCT

Rinnai gas dryers must be installed with Rinnai gas dryer exhaust duct components. Two exhaust duct kits are available, DFKIT - vertical exhaust kit and DSHKIT horizontal exhaust duct kit. Each kit consists of rigid aluminium pipes (can be cut to length as required) and vertical or horizontal terminals, stand-off brackets, rigid bends and an internal wall plate. Additional pipes and bends are available separately if the contents of the basic kits do not meet the installations requirements.



Exhaust products from gas dryers must not be discharged into existing 'natural draft' flue systems associated with other gas appliances. The exhaust duct(s) from multiple Rinnai gas dryers must not be combined into a common discharge and must not be combined with flue or exhaust duct systems from other appliances. The gas dryer is classified as a 'fan assisted flue appliance' in AS 5601 'Gas Installations'. It must be located so that the exhaust duct terminal exits the building at a suitable point. If the horizontal (wall) terminal is used, the location must be in accordance with Section 5 and Figure 5.3 of AS 5601. If a vertical (roof) terminal is used, the location must be in accordance with Section 5 of AS 5601.

HORIZONTAL AND VERTICAL TERMINAL CLEARANCES

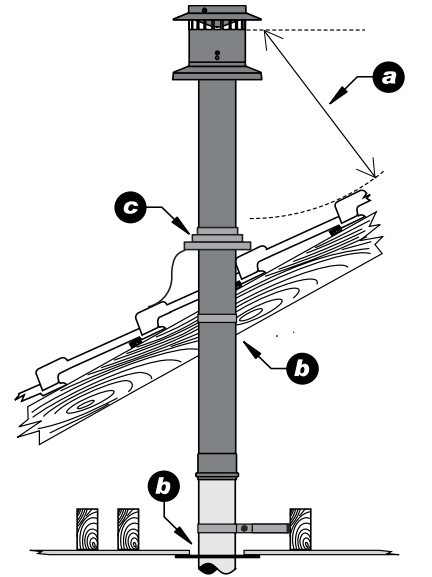


LEGEND:
 T = Flue terminal
 I = Mechanical air inlet
 M = Gas meter
 P = Electricity meter or fuse box
 Shading indicates prohibited areas for flue terminals

Ref.	Item	Minimum clearances (mm)	
		Natural draft	Fan assisted
a	Below eaves, balconies and other projections: • Appliances up to 50 MJ/h input • Appliances over 50 MJ/h input	300 500	200 300
b	From the ground, above a balcony or other surface †	300	300
c	From a return wall or external corner †	500	300
d	From a gas meter (M) (see 4.7.11 for vent terminal location of regulator)	1000	1000
e	From an electricity meter or fuse box (P)	500	500
f	From a drain pipe or soil pipe	150	75
g	Horizontally from any building structure † or obstruction facing a terminal	500	500
h	From any other flue terminal, cowl, or combustion air intake †	500	300
j	Horizontally from an openable window, door, non-mechanical air inlet, or any other opening into a building with the exception of sub-floor ventilation: • Appliances up to 150 MJ/h input • Appliances over 150 MJ/h input up to 200 MJ/h input • Appliances over 200 MJ/h input up to 250 MJ/h input † • Appliances over 250 MJ/h input † • All fan-assisted flue appliances, in the direction of discharge	500 1500 1500 1500 -	300 300 500 1500 1500
k	From a mechanical air inlet, including a spa blower	1500	1000
n	Vertically below an openable window, non-mechanical air inlet, or any other opening into a building with the exception of sub-floor ventilation: • Space heaters up to 50 MJ/h input • Other appliances up to 50 MJ/h input • Appliances over 50 MJ/h input and up to 150 MJ/h input • Appliances over 150 MJ/h input	150 500 1000 1500	150 500 1000 1500

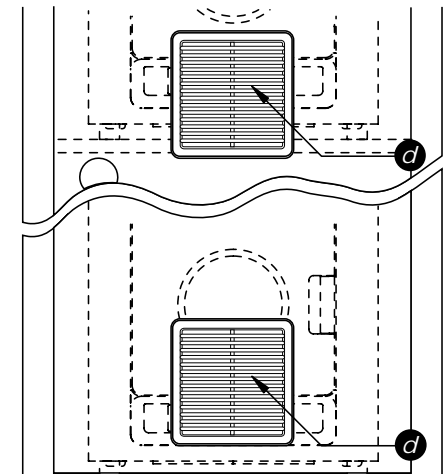
† Unless appliance is certified for closer installation
 All distances are measured to the nearest part of the terminal.
 Prohibited area below electricity meter or fuse box extends to ground level.
 See Clause 5.13.6.6 for restrictions on a flue terminal under a covered area.
 See Appendix J, Figures J2(a) and J3(a), for clearances required from a flue terminal to an LP Gas cylinder. A flue terminal is considered to be a source of ignition.
 For appliances not addressed above acceptance should be obtained from the technical regulator.

FIGURE 5.3 (in part) MINIMUM CLEARANCES REQUIRED FOR BALANCED FLUE TERMINALS, FAN-ASSISTED FLUE TERMINALS, ROOM-SEALED APPLIANCE TERMINALS OR THE TERMINALS OF OUTDOOR APPLIANCES



- a** Minimum clearance 500 mm to nearest part of roof.
- b** Minimum clearance 20mm to combustibles.
- c** Decktite or other non lead based flashing.

VENTILATION REQUIREMENTS

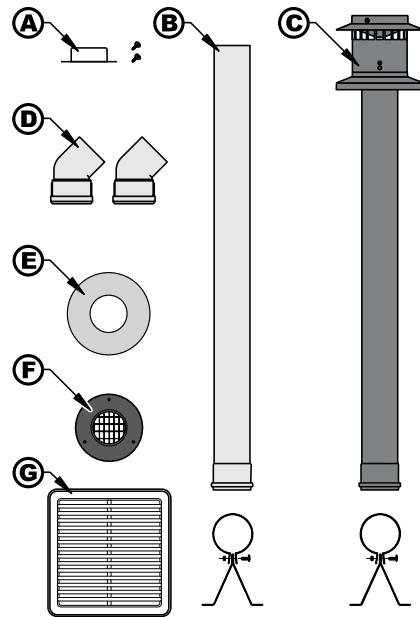


- d** For enclosed installations **ONLY**, a minimum 250 cm² of Free Air Ventilation is required.

INSTALLATION

EXHAUST DUCT SYSTEM COMPONENTS:

- (A) DSFSPIGOT
Appliance adapter spigot (supplied with appliance).
- (B) DSFPIPE1000
Duct pipe 1000mm and stand-off clip
(installed length 950mm, can be cut to length as required ^g).
- (C) DSVCOWL
Vertical roof terminal 1060mm and stand-off clip
(installed length to exhaust outlet 900mm).
- (D) DSFBEND
Pair of 45° elbows.
- (E) DSFPLATE
Internal wall plate.
- (F) DSHCOWL
Horizontal wall terminal.
- (G) VENT
Air vent, provides an open area of 250 cm² (x 2).



DSVKIT, Vertical Exhaust Duct Kit

- (B) DSFPIPE1000 x 2 (C) DSVCOWL x 1
- (E) DSFPLATE x 1

DSHKIT, Horizontal Exhaust Duct Kit

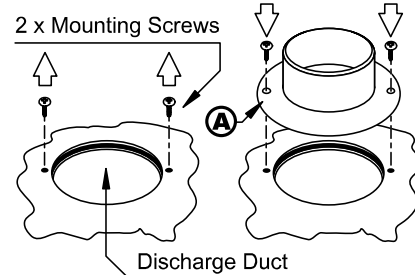
- (B) DSFPIPE1000 x 1 (D) DSFBEND x 1
- (E) DSFPLATE x 1 (F) DSHCOWL x 1

ATTACHING THE APPLIANCE ADAPTER SPIGOT

Locate and remove the two mounting screws from either side of the discharge duct, top left rear corner of the dryer.

Retrieve the appliance adapter spigot DSFSPIGOT (A), which is shipped inside the drum of the dryer.

Attach the DSFSPIGOT (A) to the discharge duct using the two mounting screws removed earlier, so that the flange of the spigot is seated flush with the top panel of the dryer.

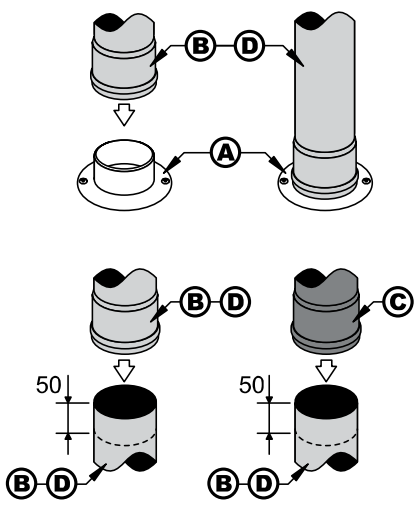


ATTACHING EXHAUST DUCT LENGTHS

The exhaust duct components DSFPIPE1000 (B), and DSFBEND (D), may be connected directly to the appliance adapter spigot (A).

With the female socket end facing down, slide the selected exhaust duct component over the DSFSPIGOT (A) until the female socket fully engages the spigot by 50mm.

Fit further exhaust duct components as required, maintaining the 'female socket end down' orientation for the entire duct run to the termination. Ensure that each female socket fully engages the male ends by 50mm.



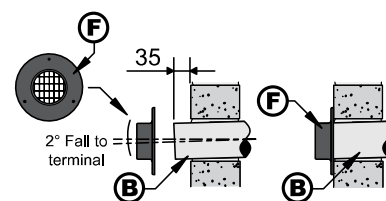
ATTACHING EXHAUST DUCT VERTICAL ROOF TERMINAL

The DSVCOWL (C) is fitted directly to either a DSFPIPE1000 (B) or DSFBEND (D). Ensure that the female socket fully engages the male end by 50mm.

ATTACHING EXHAUST DUCT HORIZONTAL WALL TERMINAL

The DSHCOWL (F) is fitted flush to the wall surface over a 35mm external wall penetration of a DSFPIPE1000 (B).

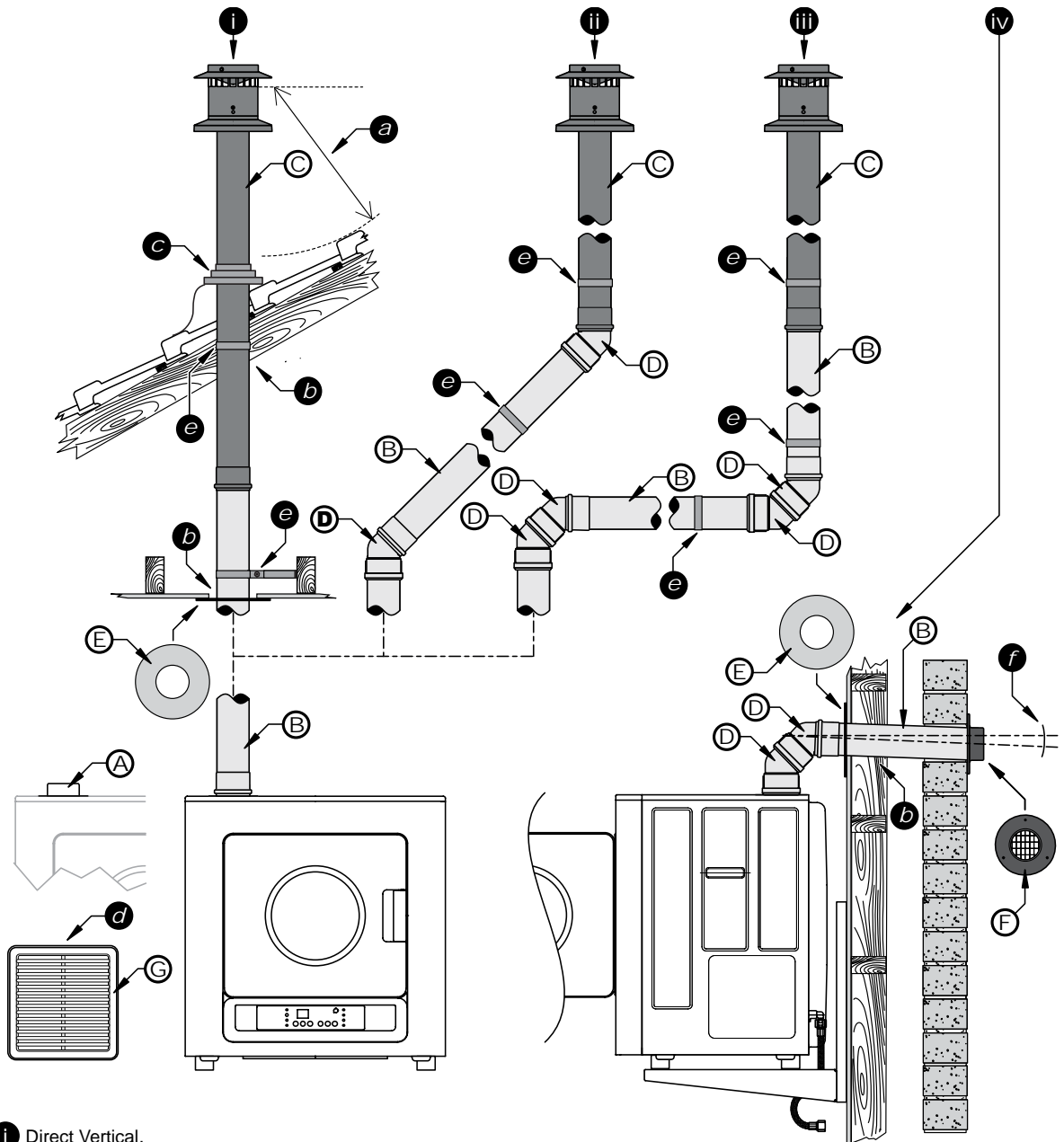
Secure the DSHCOWL (F) using the 3 fixing holes provided in the wall flange.



INSTALLATION

EXHAUST DUCT INSTALLATION OPTIONS

Following are the four most common exhaust duct installation methods. The exhaust duct length can be up to 8 metres long with a maximum of two 90° bends:



- i** Direct Vertical.
- ii** Offset Vertical.
- iii** Extended Vertical.
- iv** Direct or Extended Horizontal.
- a** Minimum clearance 500mm to nearest part of roof.
- b** Minimum clearance 20mm to combustible materials.
- c** Decktite or other non lead based flashing, to be provided by installer.
- d** For enclosed installations **ONLY**, a minimum 250cm² of Free Air Ventilation is required.
- e** The weight of the exhaust duct **MUST BE** supported by the stand-off supplied and **NOT** by the dryer.
- f** A constant 2° fall to the terminal **MUST BE** maintained on horizontal installations.
- g** 'DSFPIPE1000' (B) can be cut to length as is required, provided that a clean square edge is maintained and that a minimum penetration of 50mm remains to join other exhaust duct components.

APPLIANCE DETAILS

For future reference please take a moment to complete the following information:

Your Retailer:	_____
Name:	_____
Installation Address:	_____
Telephone No.	_____
Date of Purchase:	____ / ____ / _____
Gas Dryer Model:	RD - _____ AU
Serial Number:	_____

Rinnai

Rinnai Australia Pty. Ltd. ABN 74 005 138 769

Head Office

10-11 Walker Street,
Braeside, Victoria 3195
P.O. Box 460
Tel: (03) 9271 6625
Fax: (03) 9271 6622

Rinnai has a Service and Spare Parts network with personnel who are fully trained and equipped to give the best service on your Rinnai appliance. If your appliance requires a service, please call our National Help Service Line. Rinnai recommends that this appliance be serviced every 2 years.

Internet: www.rinnai.com.au E-mail: enquiry@rinnai.com.au

National Help Lines

Sales & Service
Tel: 1300 555 545* Fax: 1300 555 655*

Spare Parts & Technical Info
Tel: 1300 366 388* Fax: 1300 300 141*

**Cost of a local call Higher from mobile or public phones.*

BARCODE

123 45678 90123 4

U-PART N°.

Printed in Japan YYYY.MM