

DRYSOFT® RD-400AU

NO	Part Description	Part Number	11 Digit Code	QTY
001	PANEL FRONT 0 RD4 05	94296099	019-2443000	1
002	PANEL TOP FRONT 0 RD4 05	94296012	001-0133000	1
003	Front Panel Insulation B		031-193-000	1
004	DOOR ASSY 0 RD4 05	94296016	006-221-000	1
005	Plastic Window Frame		047-845-000	1
006	WINDOW DOOR RD4/6 06 (PLASTIC)	94296283	047-844-000	1
007	Main Body Leg Assembly		015-274-000	4
010	HANDLE DOOR 0 RD4/6 05	94296191	072-465-000	1
011	GLASS DOOR RD4 06	94296281	051-097-000	1
013	Hook		517-375-000	1
016	Screen Sheet		602-0185000	1
017	SEAL PANEL FRONT TOP RD4 06	94296197	580-0089000	1
018	SEAL PANEL FRONT SIDE RD4 06	94296199	580-0090000	2
019	SEAL PANEL TOP RD4 06	94296292	580-0270000	2
020	Door Hinging Plate		060-924-000	1
021	HINGE DOOR RD4/6 06	94296186	060-086-000	2
022	PANEL TOP 0 RD4 06	94296296	001-0132000	1
023	BRKT CORNER SUPPORT RD4/6 06	94296399	044-086-000	8
024	PANEL SIDE 0 RD4 06 (LARGE)	94296290	003-790-000	2
025	HANDLE 0 RD4/6 06	94296081	072-462-000	2
026	SEAL HANDLE RD4/6 06	94296083	580-743-000	2
027	PANEL SIDE 0 RD4 06 (SMALL)	94296393	035-1091000	2
028	SEAL PANEL SIDE (SMALL) RD4 06	94296397	580-521-000	2
029	Side Panel Reinforce Rubber		044-006-000	2
030	Bottom Plate B		005-193-000	1
031	Intake Air Filter Support		538-912-000	2
032	Rear Cover		035-0812000	1
033	SEAL PANEL REAR TOP RD4 06	94296180	580-0092000	1
034	SEAL PANEL REAR RH RD4 06	94296182	580-0093000	1
035	SEAL PANEL REAR LH RD4 06	94296184	580-0094000	1
036	FILTER AIR 0 RD4/6 06	94298135	017-310-000	1
037	Door Port B Assembly		006-219-000	1
038	Gas Control Bracket		538-685-000	1
039	Gas Control Bracket Packing B		580-0095000	1
040	PANEL CONTROL 0 RD4 06	94296384	527-345-000	1
100	GAS CONTROL LP/NG RD4/6 06	94298115	114-494-000	1
101	Pressure Point		501-193-000	1

DRYSOFT® RD-400AU

NO	Part Description	Part Number	11 Digit Code	QTY
102	FILTER GAS 329 1004 RD4/6	90182692	017-287-000	1
103	Gasket	90176637	510-519-000	1
104	Gas Connecting Tube		102-0038000	1
105	Connecting Tube Retainer B		537-434-000	1
106	O-Ring		520-027-010	2
107	Connecting Tube Retainer A		537-275-000	1
108	Manifold		101-330-000	1
109	INJ MAIN NG 1.15 RD4 06	94298032	130-007-115	2
	INJ MAIN LP 0.80 RD4 06	94298131	130-007-080	2
110	SCREW TEST POINT	90195157	501-275-005	1
111	O RING (S4) TEST POINT	90195165	520-300-010	1
112	Burner Box Assembly		527-188-000	1
113	Burner Box Back		527-189-000	1
114	Burner Box Front		527-190-000	1
115	Cross-Lighting Plate		145-054-000	1
116	Main Burner Assembly TG		157-068-TG0	2
117	ELECTRODE RD4/6 06	94298137	202-174-000	1
118	Thermocouple Assembly		121-448-000	1
119	Thermocouple Retainer		537-355-000	1
120	Thermocouple Bracket		538-041-000	1
121	Electrode Bracket		537-354-000	1
122	Electrode Retainer		537-335-000	1
123	Wind Protect Plate		039-148-000	1
124	T/COUPLE SPACER A 1.0mm RD4	94298038	550-118-001	1
125	Burner Fixing Plate		538-127-000	1
126	SLEEVE AERATION 12mm NG RD4/6	94298034	142-083-120	1
127	Warm Air Inlet Duct Assembly		055-814-000	1
128	Warm Air Inlet Packing L		580-0096000	1
129	Warm Air Inlet Packing M		580-0097000	1
130	Harness Protection Plate		525-059-000	1
131	Drum Support Assembly		035-1097000	1
135	Hood Assembly		053-228-000	1
136	R1/2L Flange		190-154-000	1
137	Bushing		194-154-000	1
700	THERMISTOR ASSY RD4/6 06	94296285	233-191-000	1
705	Electrode Sensor Assembly		234-440-000	1
706	Water Drop Cover		098-0979000	1

DRYSOFT® RD-400AU

NO	Part Description	Part Number	11 Digit Code	QTY
707	PCB CONTROL RD4 06	94296380	200-0183000	1
708	PCB MAIN RD4/6 06	94296287	200-0407000	1
709	Box Cover		098-0985000	1
710	Door Switch Bracket		537-742-000	1
711	Micro Switch with Lever		240-124-000	2
712	Overheat Protection Thermocouple Assembly		121-449-000	1
714	Power Cord Assembly		206-271-000	1
715	CORD BUSH	90177106	194-098-000	1
716	MOTOR ASSY EXHAUST FAN RD4 06	94298139	222-577-000	1
717	Condenser		225-127-000	1
718	TRANSFORMER MAIN RD4 06	94298232	224-348-000	1
719	Thermistor Assembly (Harness)		233-234-000	1
720	Exhaust Temp Thermistor		233-128-000	1
721	Overheat Switch		234-561-000	1
722	Electrode Sensor Harness Assembly		290-0840000	1
723	MVPOV Harness		290-0606000	1
724	Main Harness		290-0839000	1
725	Igniter Assembly B		211-187-000	1
800	DRUM ASSY RD4 06	94296388	108-158-000	1
809	Plastic Washer		503-189-005	1
810	Plastic Washer		503-201-000	4
811	Fan Casing Assembly		098-0110000	1
812	Screw Gromet		502-254-000	2
813	Shaft Support Plate		538-139-000	1
814	Drum Support		517-258-000	1
815	Fan Casing Support Plate		036-214-000	1
816	BELT DRUM RD4 06	94298012	057-013-000	1
817	BELT FAN RD4 06	94298016	057-023-000	1
818	Exhaust Elbow Assembly		191-289-000	1
819	Exhaust Elbow Packing		191-223-000	1
820	Elbow Supplemental Packing		580-649-000	2
821	Exhaust Elbow Packing Lower		580-0099000	1
822	TRAP WASTE RD4/6 06	94298018	017-186-000	1
823	FILTER WASTE (INNER) RD4/6 06	94298111	017-185-000	1
824	FILTER WASTE (BACK) RD4/6 06	94298113	017-261-000	1
825	Plastic Head Screw		501-280-000	2
826	Exhaust Fan		040-192-000	1

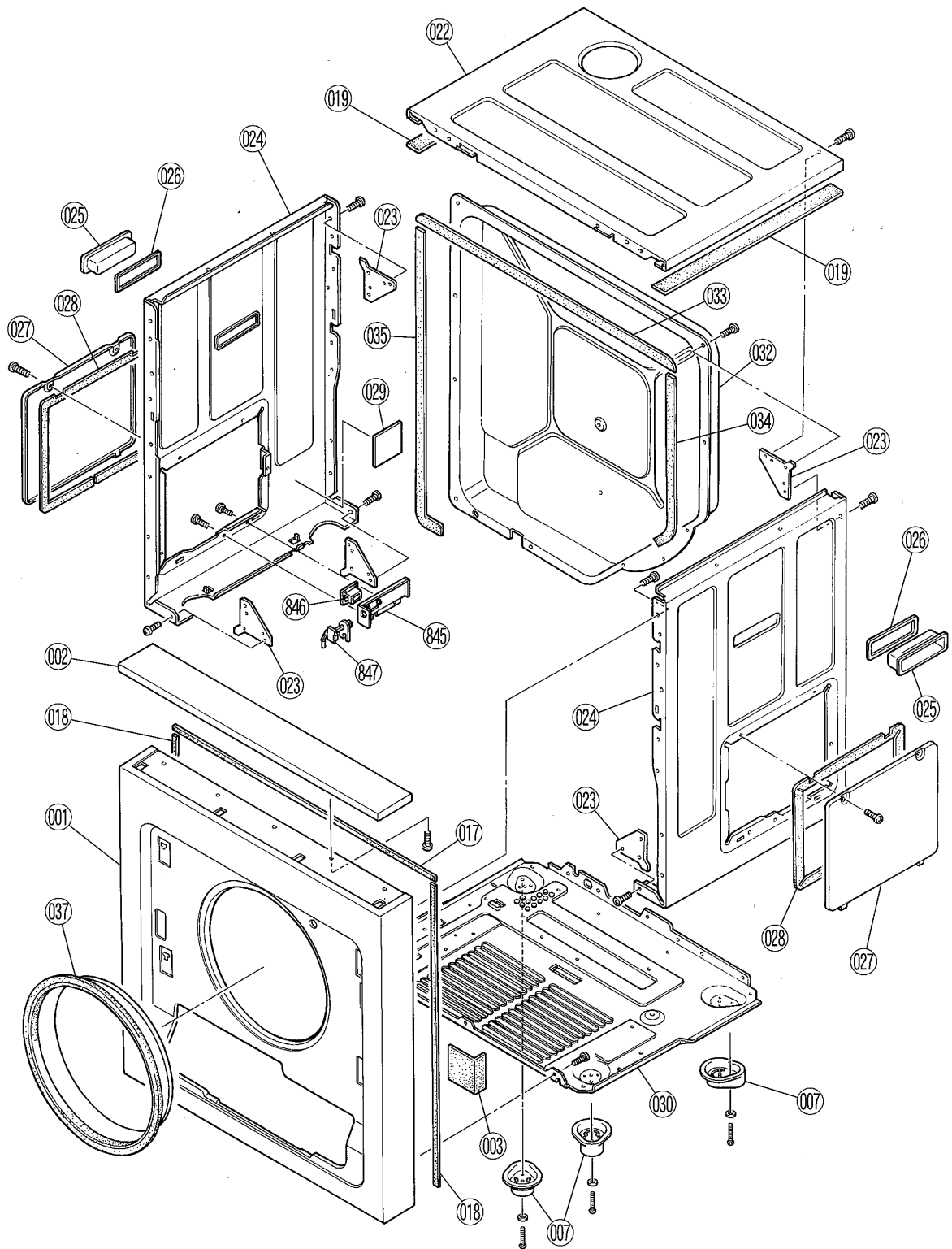
DRYSOFT® RD-400AU

NO	Part Description	Part Number	11 Digit Code	QTY
827	Fan Pulley Assembly		067-065-000	1
828	Pulley Washer		503-192-000	1
829	Snap Pin		505-013-000	1
830	Fan Belt Retainer		502-253-000	1
831	M Pulley PV		067-098-000	1
832	Hexagon Bolt		501-422-000	1
833	Motor Pulley		067-099-000	1
834	P Screw		501-0094000	1
835	Rubber Cap		540-077-000	2
836	M Base Fixture		538-686-000	2
837	M Base		537-0201000	1
838	T Pulley Assembly		067-101-000	1
839	Belt Switch Base		024-045-000	1
840	Belt Switch Actuator		024-044-000	1
841	Cross Head Screw		501-608-000	2
842	Transformer Bracket		538-283-000	1
843	Edge Cover		098-065-000	3
844	Cable Clip		504-031-000	4
845	Holder Bracket		537-0230000	1
846	TC Check Holder		098-924-000	1
847	Thermistor Holder		537-909-000	1
848	Drum Support		517-362-000	1
	CON KIT LP-NG RD4 06	94296060		
	CON KIT NG-LP RD4 06	94296062		

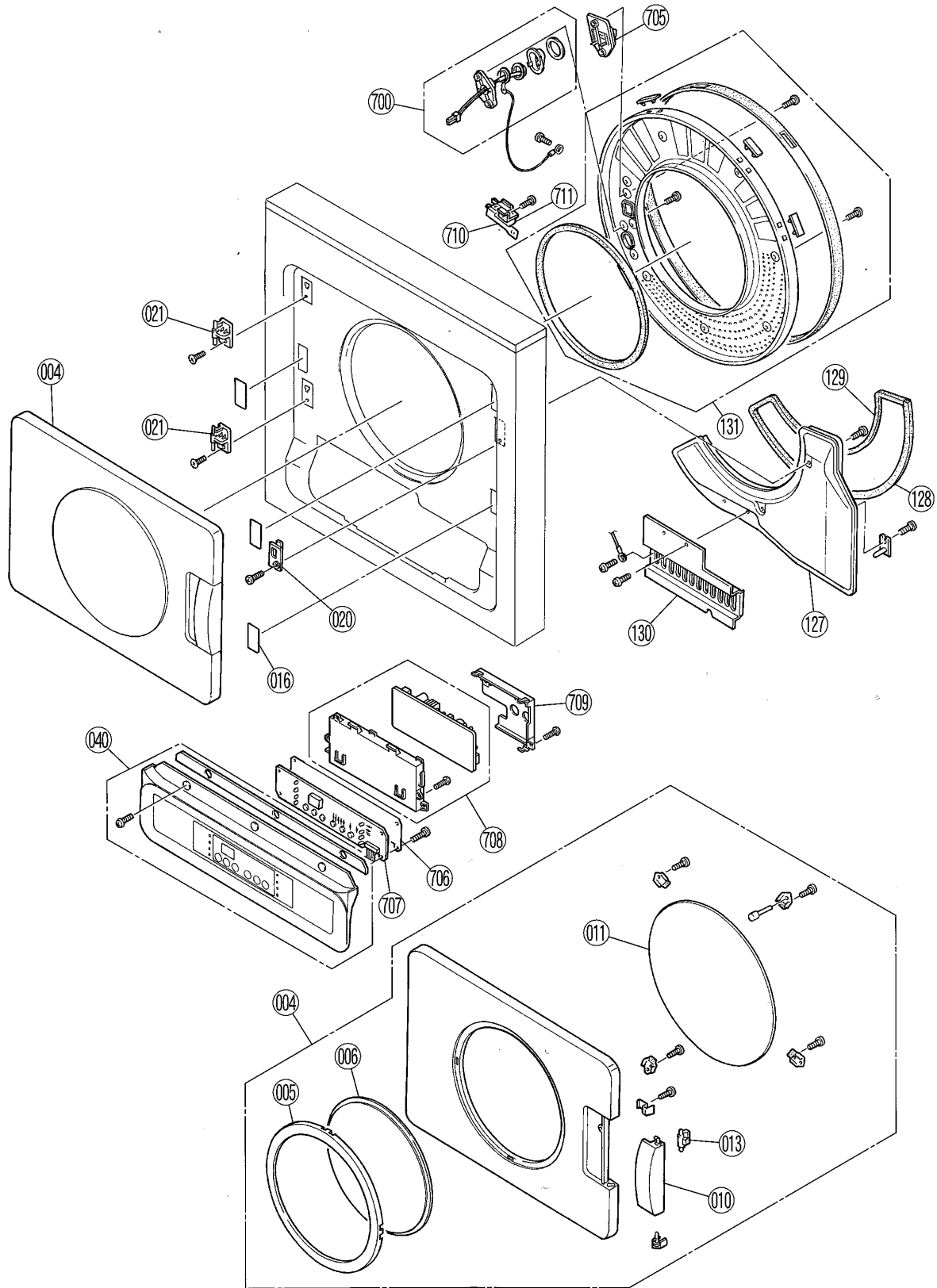
FLUEING COMPONENTS

	Part Description	Part Number	
	DSFCONDK	CONDENSATE TRAP DRYSOFT	
	DSFPIPE1000	FLUE PIPE 1000mm DRYSOFT	
	DSFBEND	BEND 45/90 DRYSOFT	
	DSFPLATE	WALL PLATE DRYSOFT	
	DSFKIT	FLUE KIT DRYSOFT 4&6KG	
	DPS75 or DSFLEXIKIT	FLUE KIT FLEXI DRYSOFT 4&6KG	
	DSFCOWL	ROOFCOWL DRYSOFT DF80	
	DSFSPIGOT	SPIGOT DRYSOFT DG80	

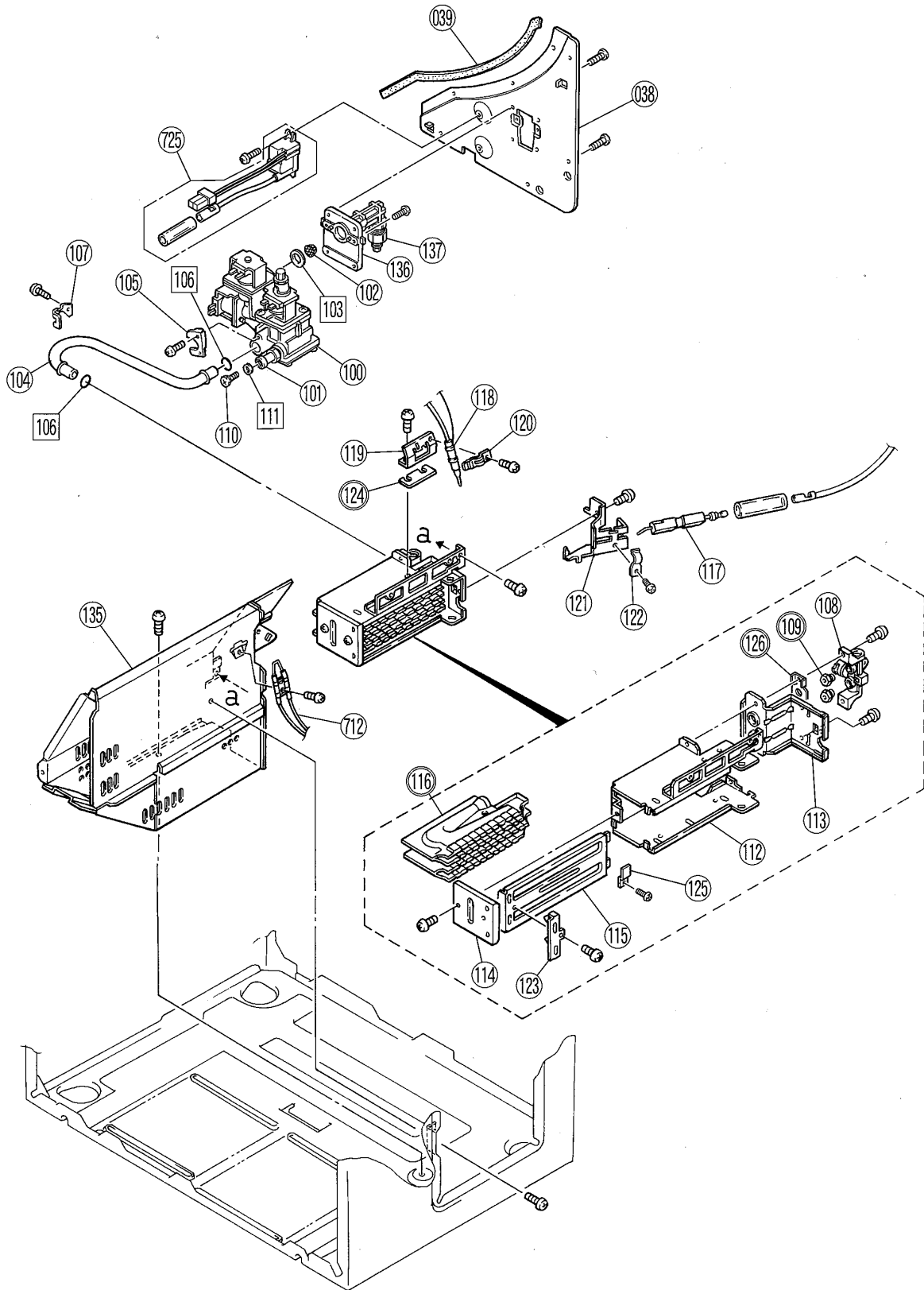
RD-400AU/NZ



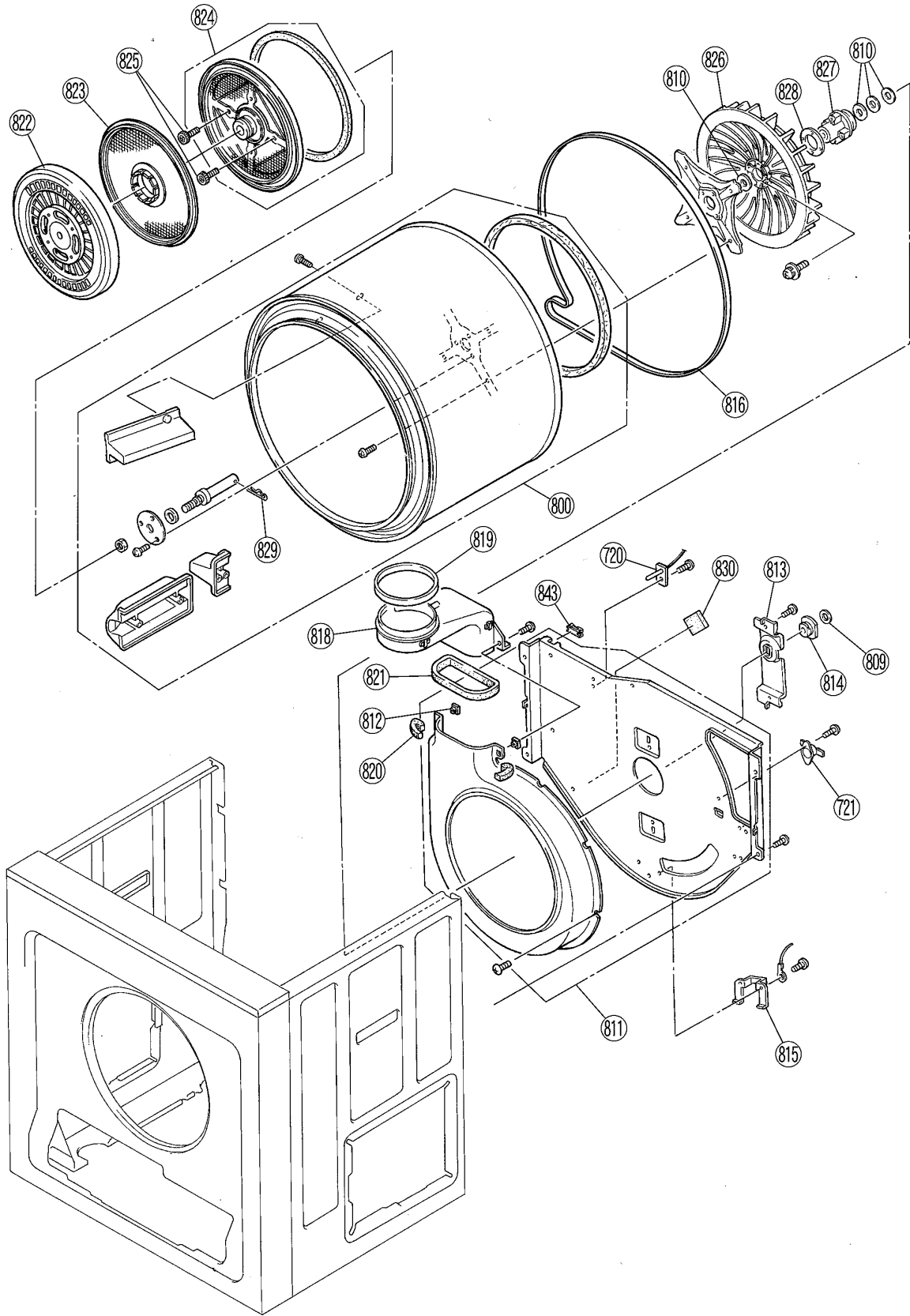
RD-400AU/NZ



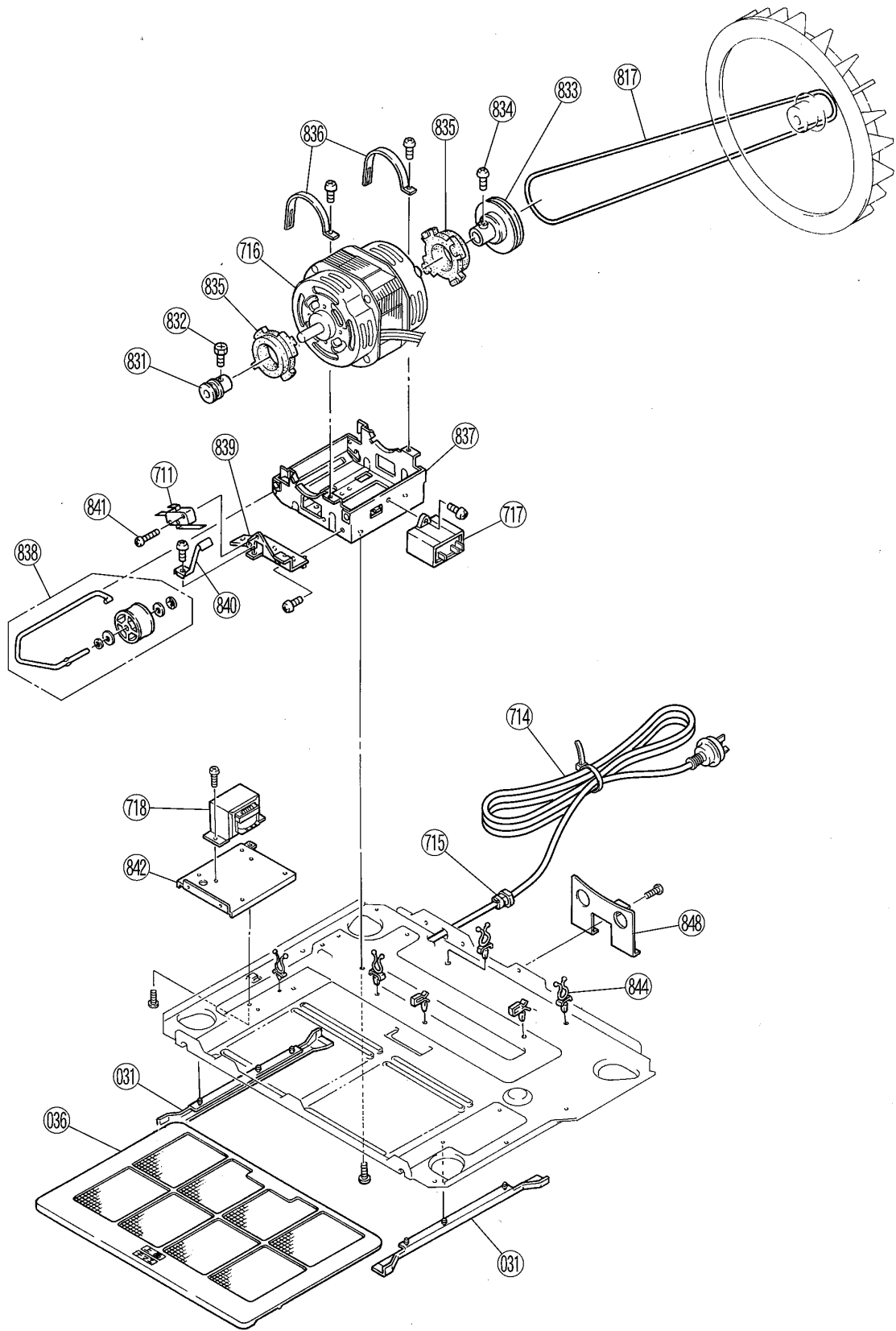
RD-400AU/NZ



RD-400AU/NZ



RD-400AU/NZ



RD-400AU/NZ

