

DRYSOFT® RD-600AU

Effective as at: 13/12/2006

NO	Part Description	Part Number	11 Digit Code	QTY
105	Connecting Tube Retainer B		537-434-000	1
106	O-Ring		520-027-010	2
107	Connecting Tube Retainer A		537-275-000	1
108	Manifold		101-330-000	1
109	INJ MAIN NG 1.30 RD6 06	94298030	130-007-130	2
	INJ MAIN LP 0.90 RD6 06	94298133	130-007-090	2
110	SCREW TEST POINT	90195157	501-275-005	1
111	O RING (S4) TEST POINT	90195165	520-300-010	1
112	Burner Box Assembly		527-188-000	1
113	Burner Box Back		527-189-000	1
114	Burner Box Front		527-190-000	1
115	Cross-Lighting Plate		145-054-000	1
116	Main Burner Assembly TG		157-068-TG0	2
117	ELECTRODE RD4/6 06	94298137	202-174-000	1
118	Thermocouple Assembly		121-448-000	1
119	Thermocouple Retainer		537-355-000	1
120	Thermocouple Bracket		538-041-000	1
121	Electrode Bracket		537-354-000	1
122	Electrode Retainer		537-335-000	1
123	Wind Protect Plate		039-148-000	1
124	T/COUPLE SPACER C 1.6mm LP RD6	94298036	550-118-003	1
125	Burner Fixing Plate		538-127-000	1
126	SLEEVE AERATION 12mm NG RD4/6	94298034	142-083-120	1
127	Warm Air Inlet Duct Assembly		055-815-000	1
128	Warm Air Inlet Packing L		580-648-000	1
129	Warm Air Inlet Packing M		580-763-000	1
130	Harness Protection Plate		525-060-000	1
131	Drum Support Assembly		035-1098000	1
136	Hood Assembly		053-194-000	1
137	R1/2 L Flange		190-154-000	1
138	Bushing		194-154-000	1
700	THERMISTOR ASSY RD4/6 06	94296285	233-191-000	1
705	Electrode Sensor Assembly		234-440-000	1
706	Water Drop Cover		098-0979000	1
707	PCB CONTROL RD6 06	94296289	200-0136000	1
708	PCB MAIN RD4/6 06	94296287	200-0407000	1
709	Box Cover		098-0985000	1
710	Door Switch Bracket		537-742-000	1
711	Micro Switch with Lever		240-124-000	2

DRYSOFT® RD-600AU

Effective as at: 13/12/2006

NO	Part Description	Part Number	11 Digit Code	QTY
718	Thermistor Assembly (Harness)		233-178-000	1
719	Exhaust Temp Thermistor		233-128-000	1
720	Overheat Switch		234-561-000	1
721	Electrode Sensor Harness Assembly		290-0840000	1
722	MVPOV Harness		290-0606000	1
723	Main Harness		290-0841000	1
724	IGNITER ASSEMBLY A		211-188-000	1
800	DRUM ASSY RD6 06	94296386	108-159-000	1
810	Plastic Washer		503-189-005	1
811	Plastic Washer		503-201-000	4
812	Fan Casing Assembly		035-1365000	1
813	Screw Gromet		502-254-000	2
814	Shaft Support Plate		538-067-000	1
815	Drum Support		517-258-000	1
816	Fan Casing Support Plate		036-225-000	1
817	BELT DRUM RD6 06	94298010	057-008-000	1
818	BELT FAN RD6 06	94298014	057-024-000	1
819	Exhaust Elbow Assembly		191-230-000	1
820	Exhaust Elbow Packing		191-223-000	2
821	Elbow Supplemental Packing		580-649-000	2
822	TRAP WASTE RD4/6 06	94298018	017-186-000	1
823	FILTER WASTE (INNER) RD4/6 06	94298111	017-185-000	1
824	FILTER WASTE (BACK) RD4/6 06	94298113	017-261-000	1
825	Plastic Head Screw		501-280-000	2
826	Exhaust Fan		040-160-000	1
827	Fan Pulley Assembly		067-044-000	1
828	Pulley Washer		503-192-000	1
829	Snap Pin		505-013-000	1
830	Fan Belt Retainer		502-253-000	1
831	M Pulley PV (50)		067-049-000	1
832	Hexagon Bolt		501-422-000	1
833	Motor Pulley		067-100-000	1
834	P Screw		501-0094000	1
835	Rubber Cap		540-077-000	2
836	M Base Fixture		538-686-000	2
837	M Base		537-0201000	1
838	T Pulley Assembly		067-101-000	1
839	Belt Switch Base		024-045-000	1
840	Belt Switch Actuator		024-044-000	1

DRYSOFT® RD-600AU

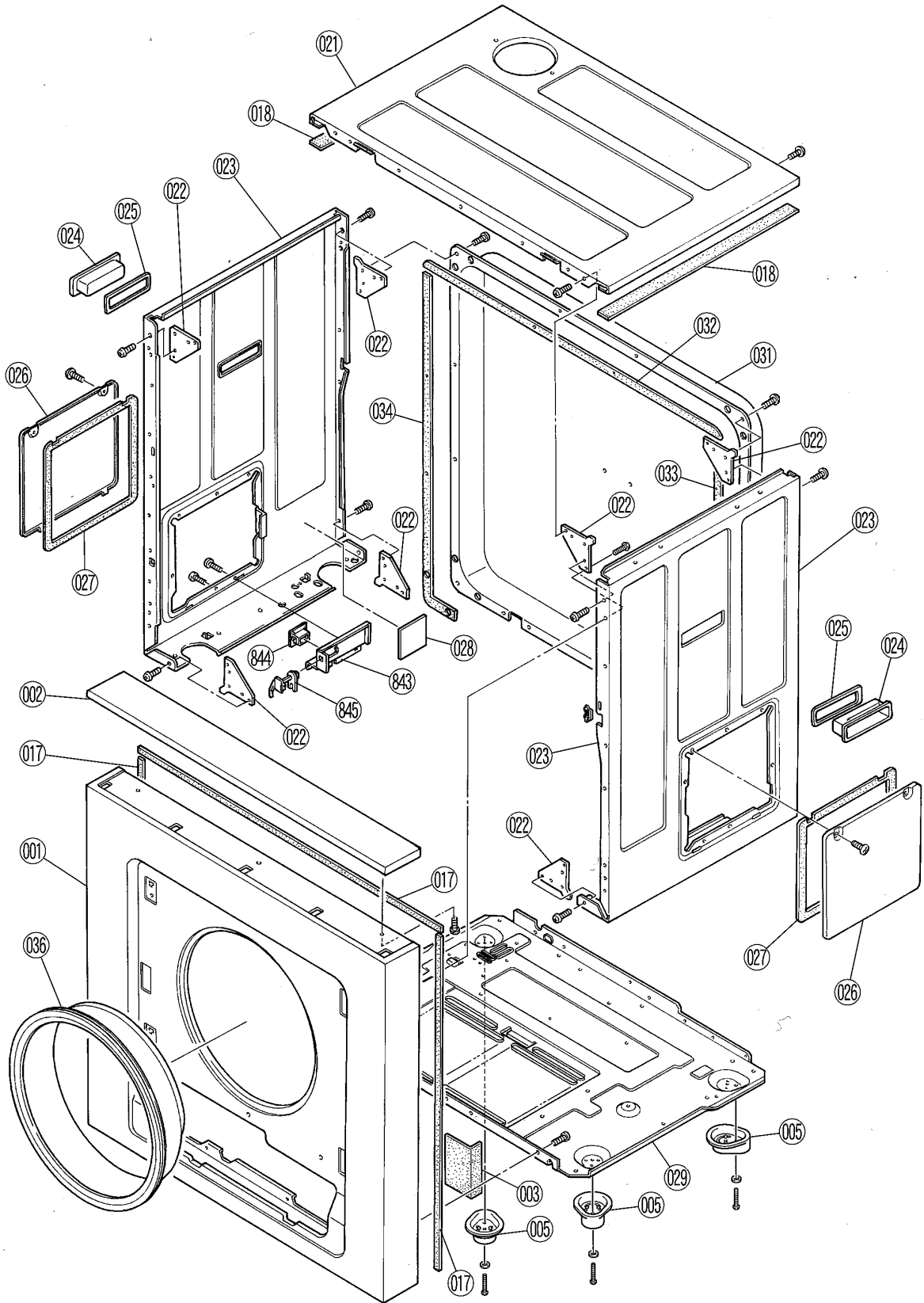
Effective as at: 13/12/2006

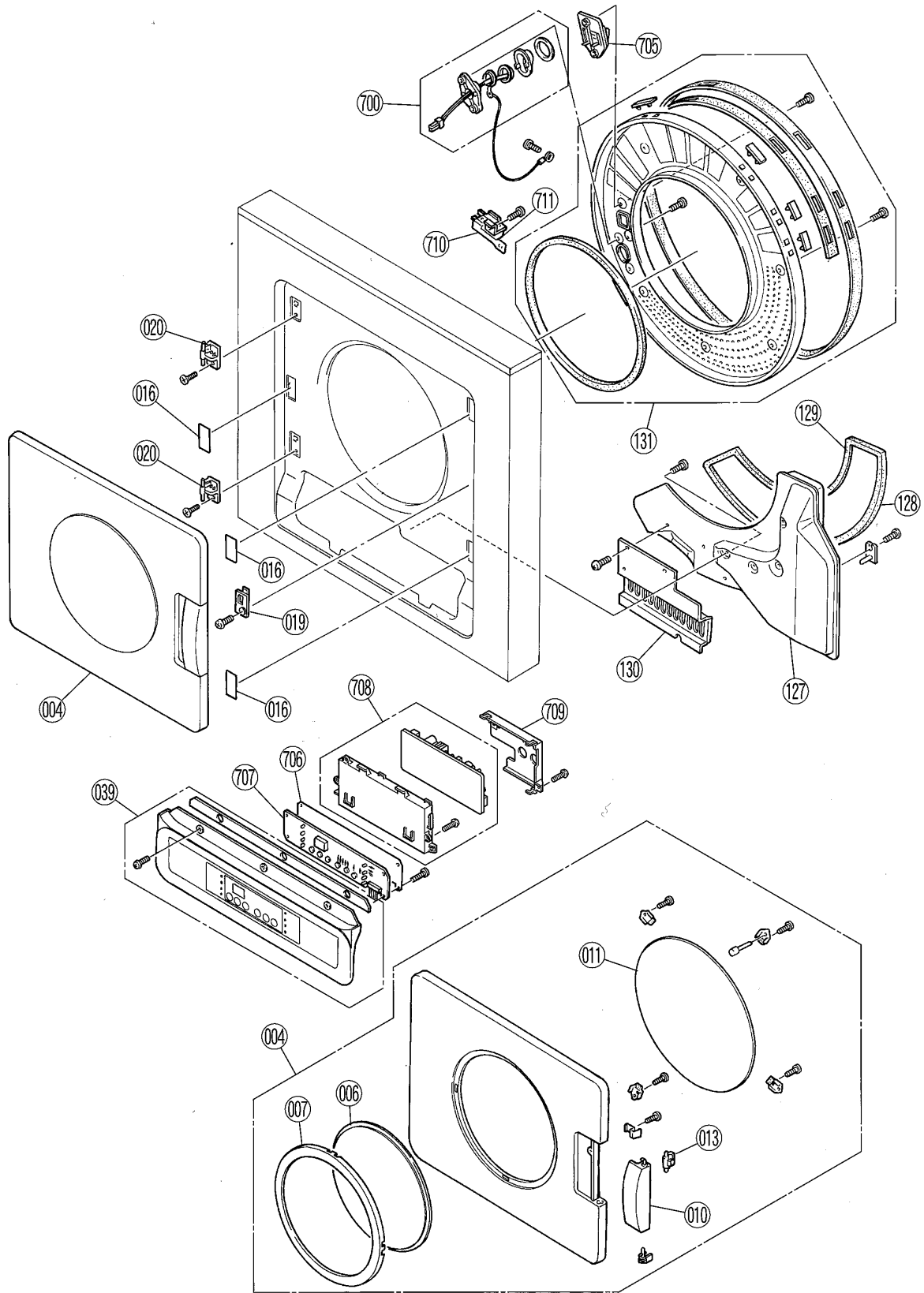
NO	Part Description	Part Number	11 Digit Code	QTY
841	Transformer Bracket		538-283-000	1
842	Cable Clip		504-031-000	5
843	Holder Bracket		537-0230000	1
844	TC Check Holder		098-924-000	1
845	Thermistor Holder		537-909-000	1
846	Drum Support		517-373-000	1
847	Cross Head Screw		501-608-000	2
848	Edge Cover		098-065-000	2
	CON KIT LP-NG RD6 06	94296064		
	CON KIT NG-LP RD6 06	94296066		

FLUEING COMPONENTS

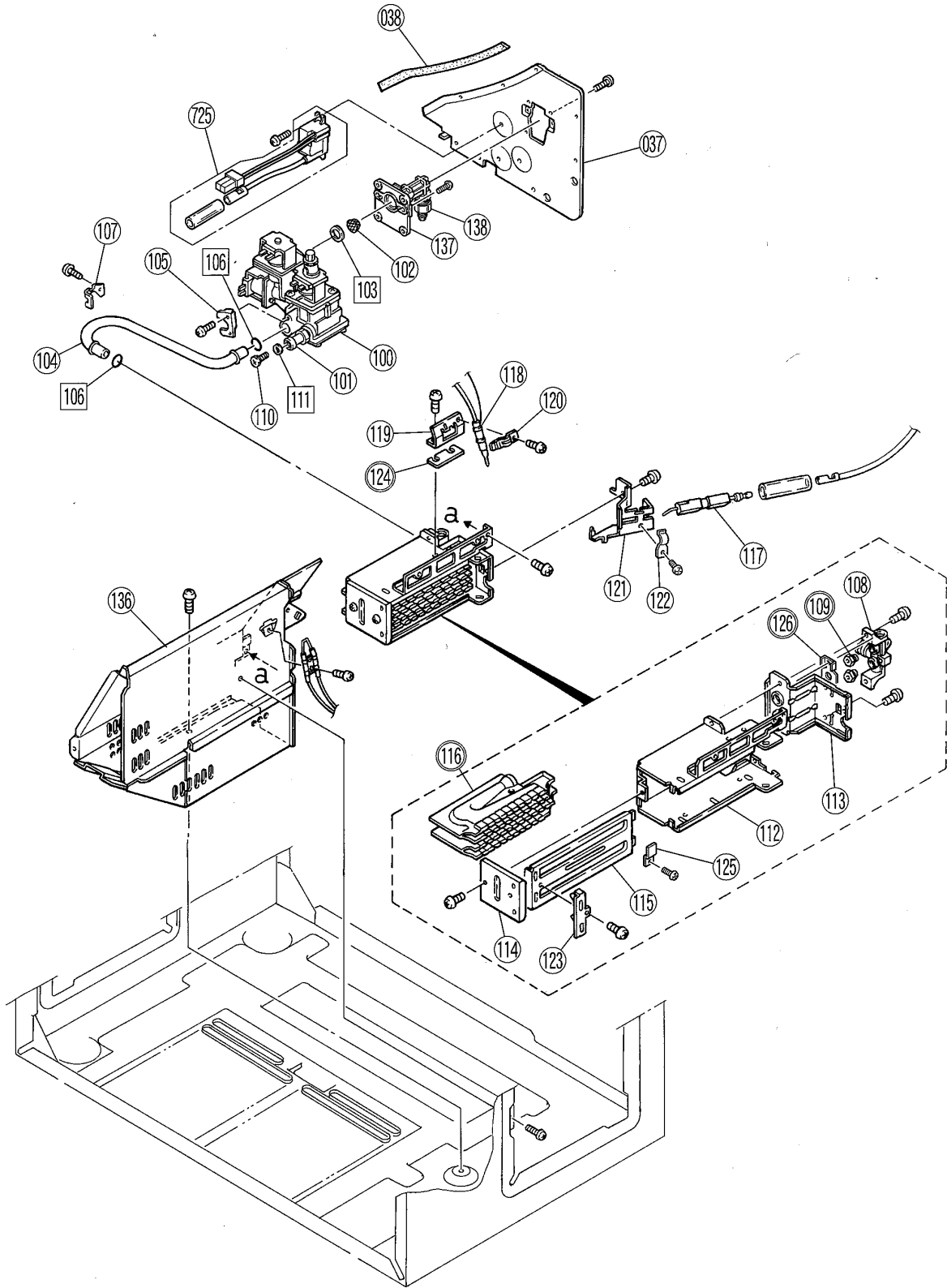
	Part Description	Part Number	
	DSFCONDK	CONDENSATE TRAP DRYSOFT	
	DSFPIPE1000	FLUE PIPE 1000mm DRYSOFT	
	DSFBEND	BEND 45/90 DRYSOFT	
	DSFPLATE	WALL PLATE DRYSOFT	
	DSFKIT	FLUE KIT DRYSOFT 4&6KG	
	DPS75 or DSFLEXIKIT	FLUE KIT FLEXI DRYSOFT 4&6KG	
	DSFCOWL	ROOFCOWL DRYSOFT DF80	
	DSFSPIGOT	SPIGOT DRYSOFT DG80	

RD-600AU/NZ

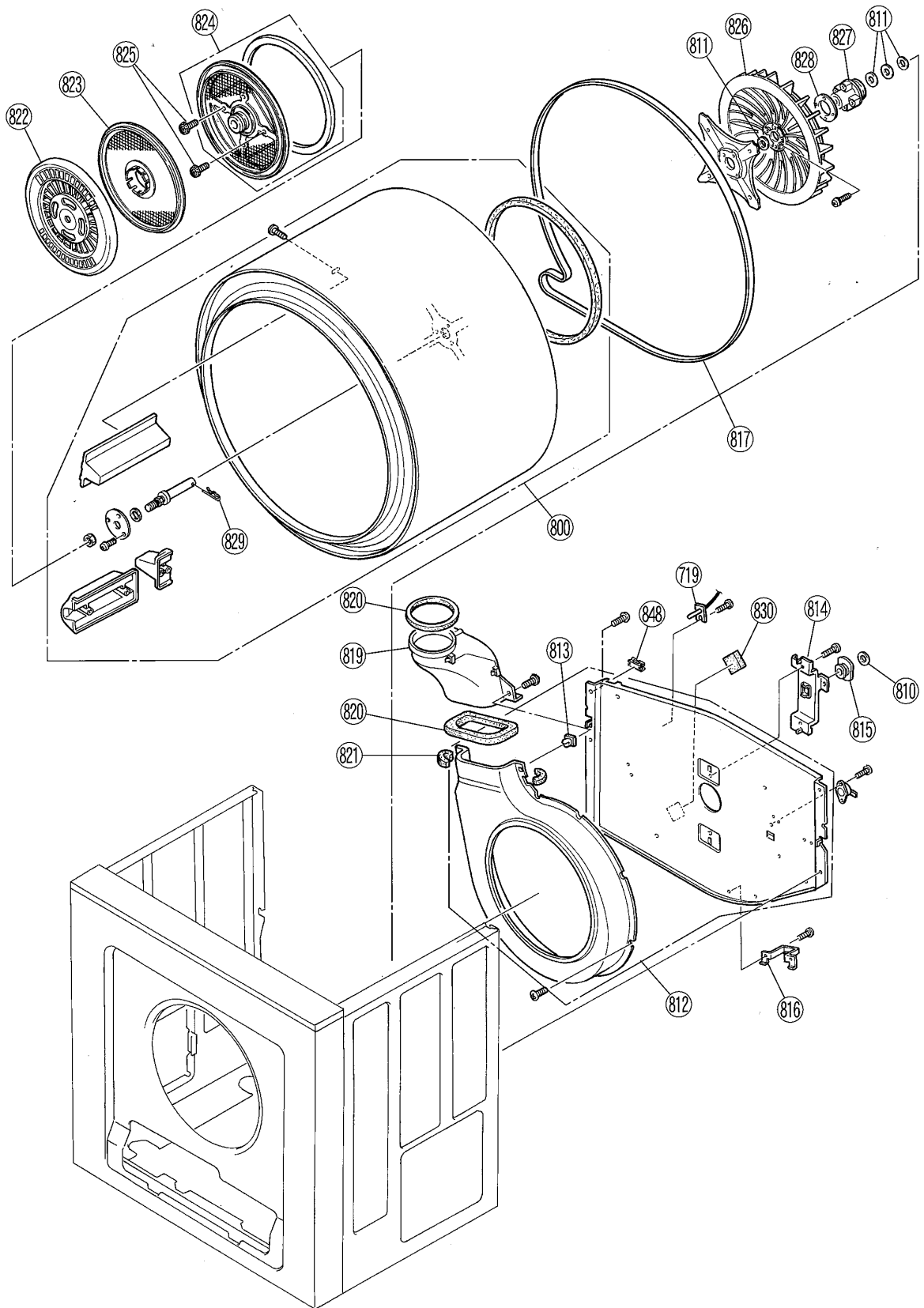




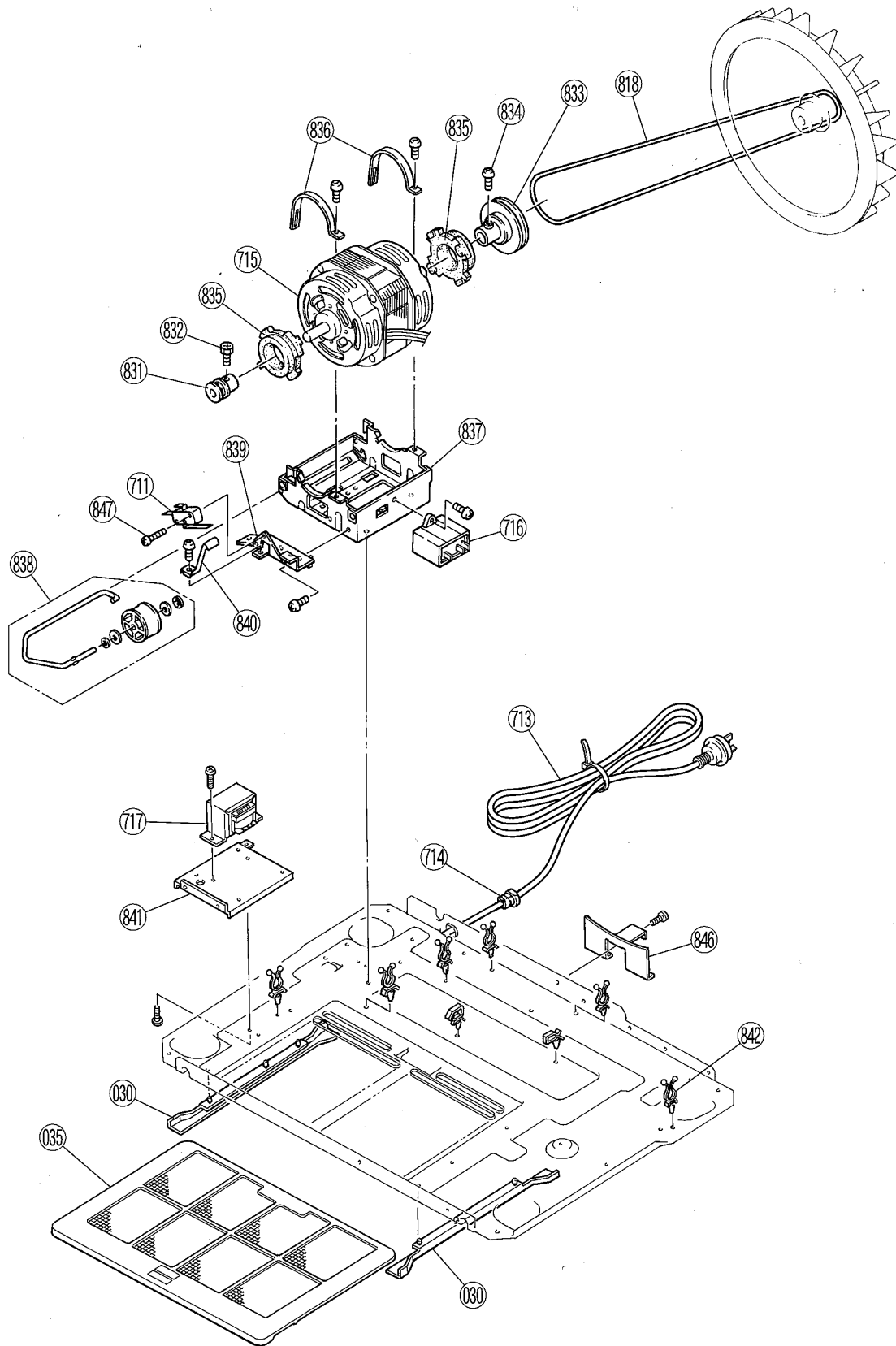
RD-600AU/NZ



RD-600AU/NZ



RD-600AU/NZ



RD-600AU/NZ

