

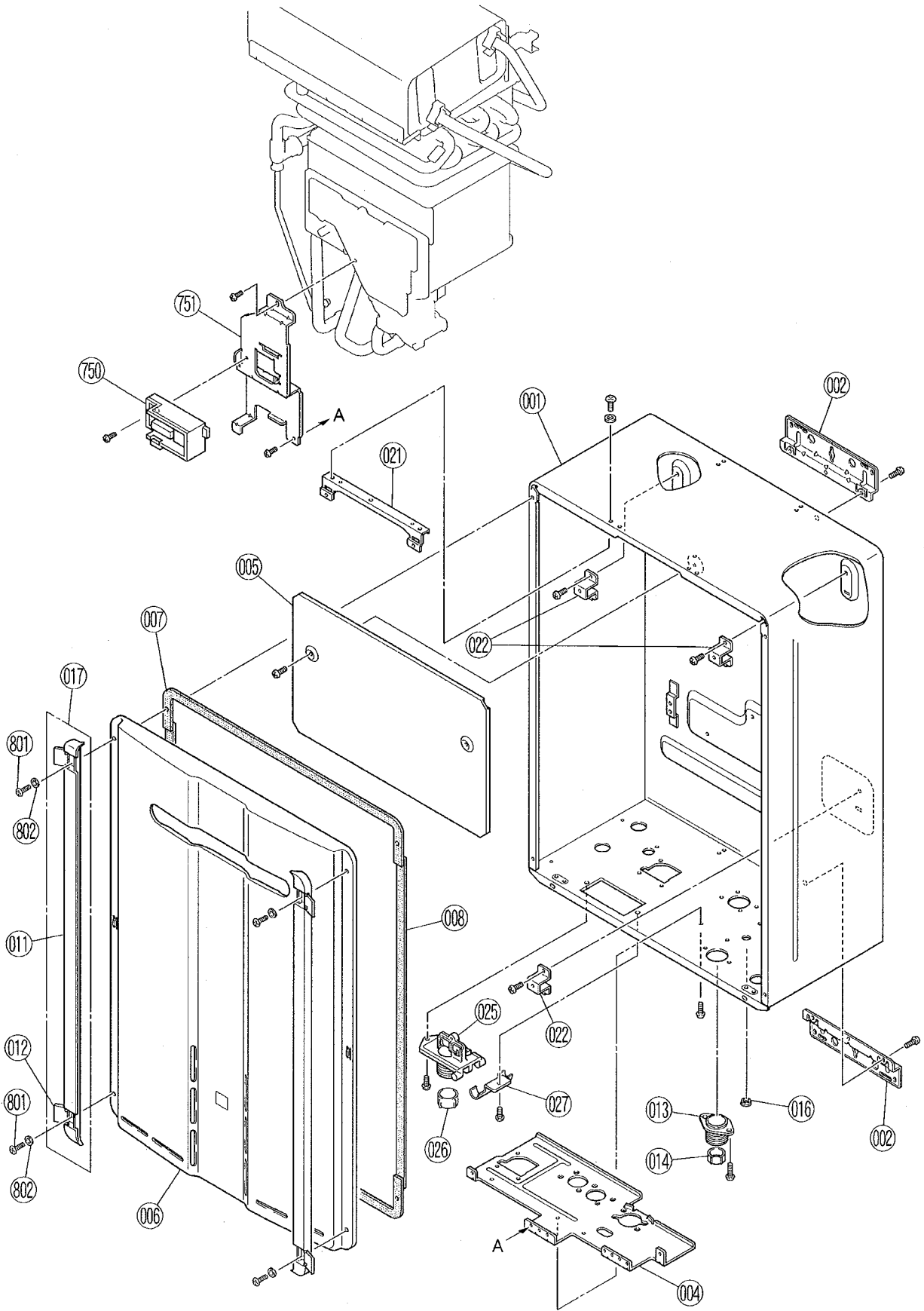
INFINITY ENVIRO 26 (REU-KM2635WD-AK)			23-0393	
NO	PART NAME	RA PART NO.	RJ 11 DIGIT CODE	QUANTITY REQUIRED
001	OUTER CASE	92098935	014-497-000	1
002	BRKT WALL	92093377	106-329-000	2
004	Connection Reinforcement Panel		044-182-000	1
005	Heat Protection Plate		030-941-000	1
006	PANEL FRONT	92098923	019-4319000	1
007	Gasket-Top and Bottom		580-0632000	2
008	Gasket-Side		580-0633000	2
011	Screw Cover		098-2927000	2
012	Screw Cover Rid		035-1795000	4
013	INF20 CABLE ENTRY (NEW)	92073352	106-104-000	1
014	SEAL HARNESS EASY CONN	92099984	580-0105000	1
016	Packing		510-893-000	1
017	BRACE PANEL FRONT	92098929	019-4197000	2
021	Reinforcement Bracket		044-183-000	1
022	Attachment Bracket		517-499-000	3
023	Reinforcement Bracket		044-151-000	1
025	HARNESS EASY CONN	92099986	106-641-000	1
026	SEAL HARNESS EASY CONN	92099984	580-0105000	1
027	CLIP SUPPORT	92095896	538-840-000	1
100	GAS CONTROL	92086736	120-0016000	1
101	SCREW TEST POINT	92099956	501-275-005	2
102	INLET GAS 3/4	92081587	106-290-000	1
103	BURNER ASSY LPG	92098939	000-186-000	1
103	BURNER ASSY NG	92098937	000-187-000	1
104	Burner Case Front Panel		098-902-000	1
105	Burner Case Bottom Panel		004-927-000	1
106	Packing		580-440-000	1
107	Burner Low Nox Bunsen Assy		157-090-000	16
108	Burner Case Rear Panel		098-2963000	1
109	DAMPER LP	92099906	140-597-000	1
109	DAMPER NG	92099908	140-736-E00	1
110	MANIFOLD NG	92098913	101-770-000	1
110	MANIFOLD LP	92098911	101-771-000	1
111	Combustion Chamber Packing Upper		580-547-000	1
112	Combustion Chamber Packing Lower		580-0653000	1

INFINITY ENVIRO 26 (REU-KM2635WD-AK)			23-0393	
NO	PART NAME	RA PART NO.	RJ 11 DIGIT CODE	QUANTITY REQUIRED
114	Combustion Chamber FrontPanel Assy		019-4273000	1
116	ELECTRODE	92086974	202-156-000	1
117	FLAME ROD	92098996	202-233-000	2
118	GASKET ELECTRODE	92098908	580-0635000	1
119	Electrode Holder		580-0636000	1
120	Combustion Chamber Packing		580-0654000	1
125	FAN COMB ASSY	92098986	222-661-000	1
126	Fan Casing Assembly		035-1884000	1
127	CONNECTING COMB FAN	92098870	106-320-000	1
128	PACKING FAN CONECTING	92098888	580-338-000	1
129	Fan Motor Assembly		222-643-000	1
135	EXHAUST FLUE	92098915	055-995-000	1
137	Flue Outlet Packing		580-0593000	1
138	Seal Packing		580-835-000	1
143	HEAT EXCHANGER	92098928	314-803-000	1
160	HEAT EXCHANGER SECONDARY	92098926	314-805-000	1
166	Reinforcement Bracket		537-0883000	1
400	INLET WATER 3/4	92095901	333-483-000	1
401	WATER FLOW SENSOR	92098932	301-199-000	1
402	RECTIFIER WATER	92093552	330-107-000	1
403	BYPASS SERVO ASSY	92087072	301-158-000	1
404	Stop Bracket		512-401-000	2
405	Plug Band		553-119-000	1
408	OUTLET WATER 3/4" NPT	92098916	333-499-000	1
409	Stop Bracket		512-406-000	1
410	Plug Band (small)		553-065-000	1
411	VALVE PRESS RELIEF	92099944	337-152-000	1
412	FILTER WATER 0 LARGE	92083773	196-062-000	1
413	Cover		098-2780000	1
421	Drain Connection		333-493-000	1
422	VALVE DRAIN	92097120	337-034-000	1
423	Clip		512-550-000	1
424	Connecting Pipe		332-0214000	1
426	Packing		580-0641000	1
431	Connecting pipe-Inlet		332-0230000	1

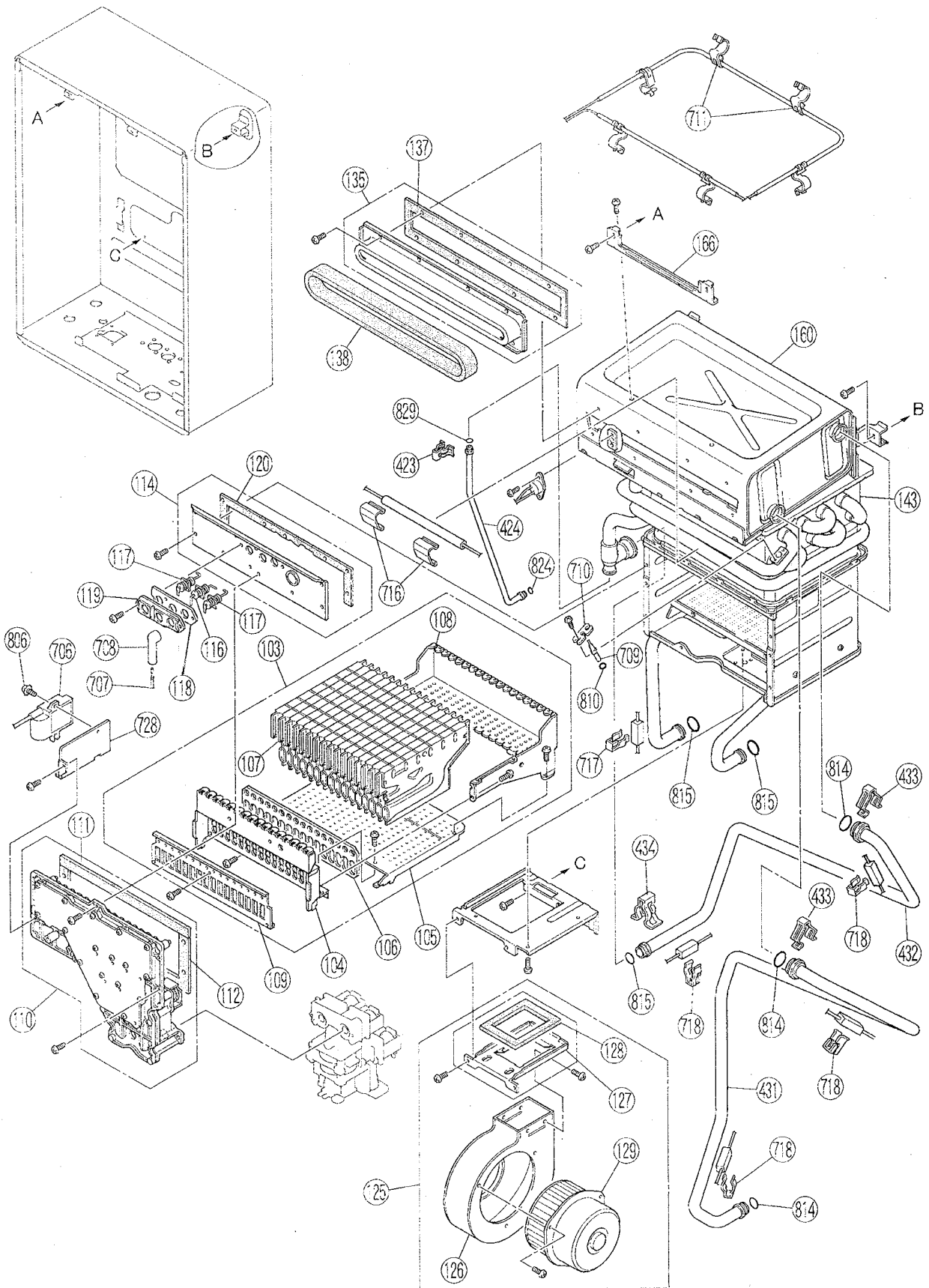
INFINITY ENVIRO 26 (REU-KM2635WD-AK)			23-0393	
NO	PART NAME	RA PART NO.	RJ 11 DIGIT CODE	QUANTITY REQUIRED
432	Connecting pipe-HEX		332-0215000	1
433	CLIP HOSE/PIPE	92092485	512-249-000	2
434	Clip		512-552-000	1
440	Condensate Trap		341-370-000	1
441	Packing		580-0642000	2
442	Condensate Trap Plug		341-369-000	1
443	Condensate Drain Tube		513-0051000	1
444	Band		553-130-000	1
445	Band		553-158-000	1
446	Screw		501-0232000	2
447	HARNESS CONDENSATE	92098962	290-1795000	1
700	PCB MAIN	92098992	210-0046000	1
701	SURGE ARRESTOR	92093699	210-605-000	1
702	PC Board Cover Side		098-2929000	1
703	PC Board Cover Front		098-1869000	1
706	SPARKER	92095026	261-157-000	1
707	LEAD HT	92092355	203-833-000	1
708	SLEEVE ELECTRODE	92087030	518-035-000	1
709	THERMISTOR	92098982	233-249-000	1
710	BRKT THERMISTOR	92086388	508-836-000	1
711	Thermistor Fuse Clip		553-055-000	6
712	SWITCH THERMAL	92097187	234-444-000	1
713	HEATER A-FROST	92098976	235-401-000	1
715	HARNESS HEATER	92098974	235-402-000	1
716	BRKT HEATER	92093301	538-493-000	2
717	CLIP HEATER	92076123	537-174-000	1
718	BRKT HEATER B	92096225	537-0440000	4
720	ELEC CORD	92089051	206-226-000	1
721	HARNESS FUSE	92098954	290-1930000	1
722	HARNESS POWER	92098952	290-1931000	1
724	HARNESS PCB MAIN	92098950	290-1932000	1
725	FUSE THERMAL	92098948	290-1933000	1
726	HARNESS SPARKER	92095039	290-1398000	1
727	SENSOR MR	92099988	243-133-000	1
728	Ignitor Attachment Plate		538-0396000	1

INFINITY ENVIRO 26 (REU-KM2635WD-AK)			23-0393	
NO	PART NAME	RA PART NO.	RJ 11 DIGIT CODE	QUANTITY REQUIRED
729	HARNESS REMOTE CONTROL	92099961	290-1288000	1
730	HARNESS TWIN THERMIST	92099234	233-278-000	1
731	Solenoid Connection Harness		290-1901000	1
733	HARNESS SOLENOID	92098956	290-1903000	1
744	HARNESS HEATER	92098980	235-380-000	1
750	RELAY	92095032	210-810-000	1
751	Status Monitor Bracket		537-0881000	1
800	Screw		501-577-000	8
801	Screw		501-0234000	4
802	Washer		503-210-000	4
803	Screw		501-0235000	3
804	Screw		501-295-000	1
805	Screw		501-262-000	3
806	Screw		501-737-000	1
807	Washer		503-026-010	2
810	O RING THERMISTOR	92062249	520-209-010	2
812	O RING (S4) TEST POINT	90195165	520-300-010	1
813	O RING IN/OUT WATER	92071182	520-049-010	1
814	O RING HEAT EXCH	92062199	520-048-010	3
815	O RING HEAT EXCH	92062207	520-193-010	4
816	O RING	92062348	520-281-010	1
817	O RING CON	92072859	520-043-010	1
818	Packing		580-157-000	1
819	Screw		501-395-000	2
820	Screw		501-799-000	4
821	Screw		511-119-000	2
822	Screw		501-403-010	3
823	O RING BYPASS	92071455	520-194-010	1
824	O RING WATER 6MM	92043223	520-074-010	2

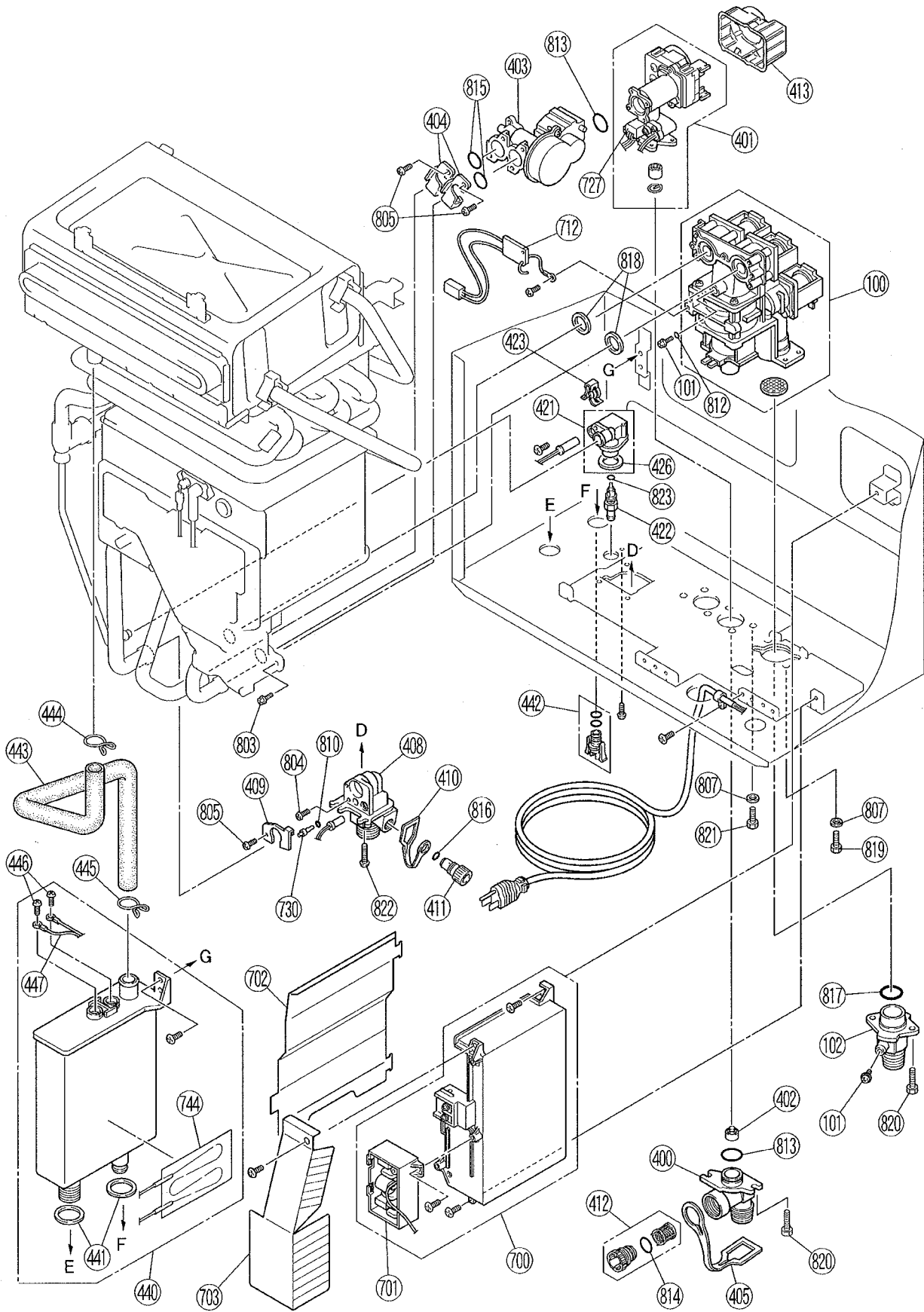
REU-KM2635WD



REU-KM2635WD



REU-KM2635WD



REU-KM2635WD

