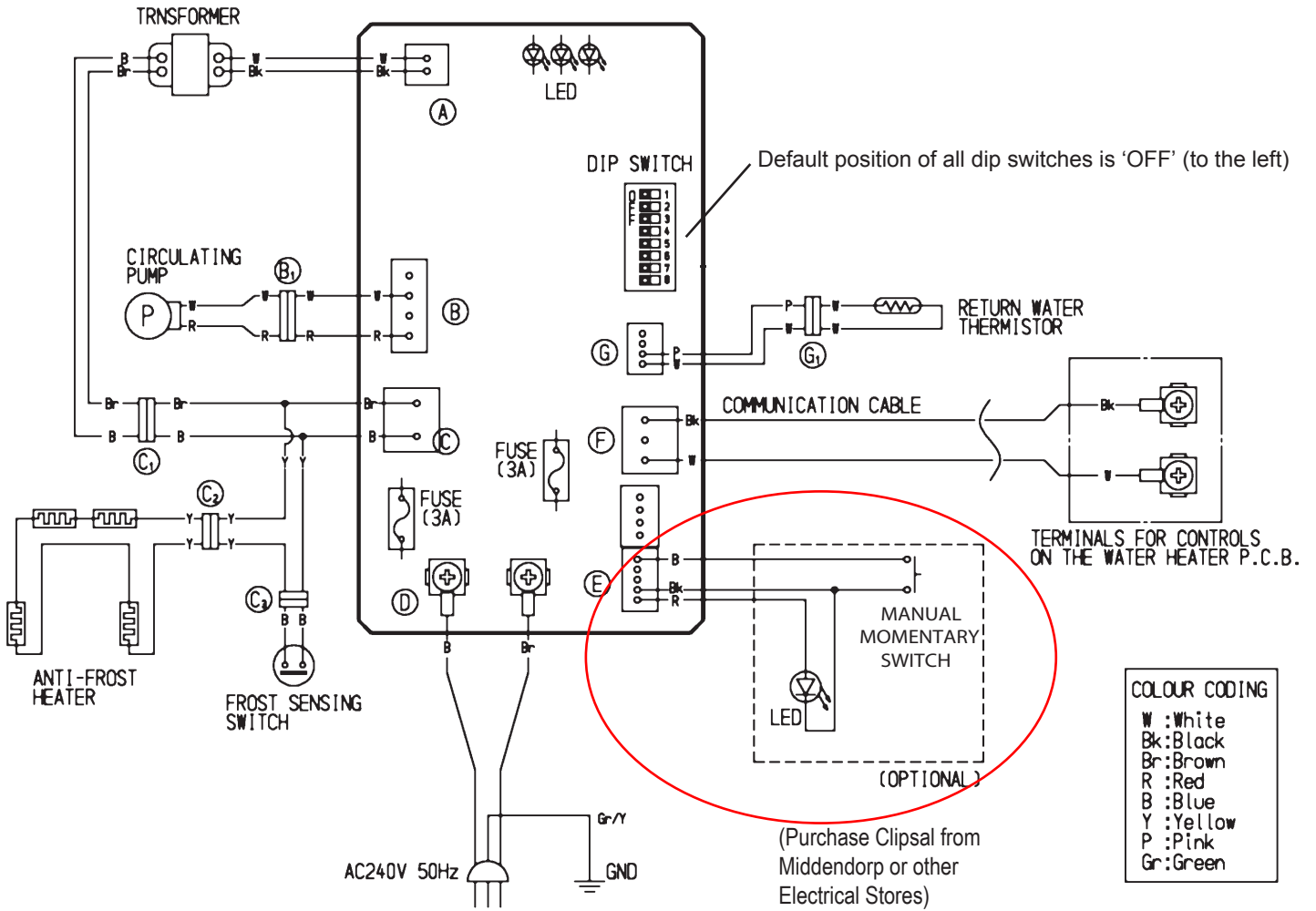


# CIRCUIT DIAGRAM



# DIMENSIONS

