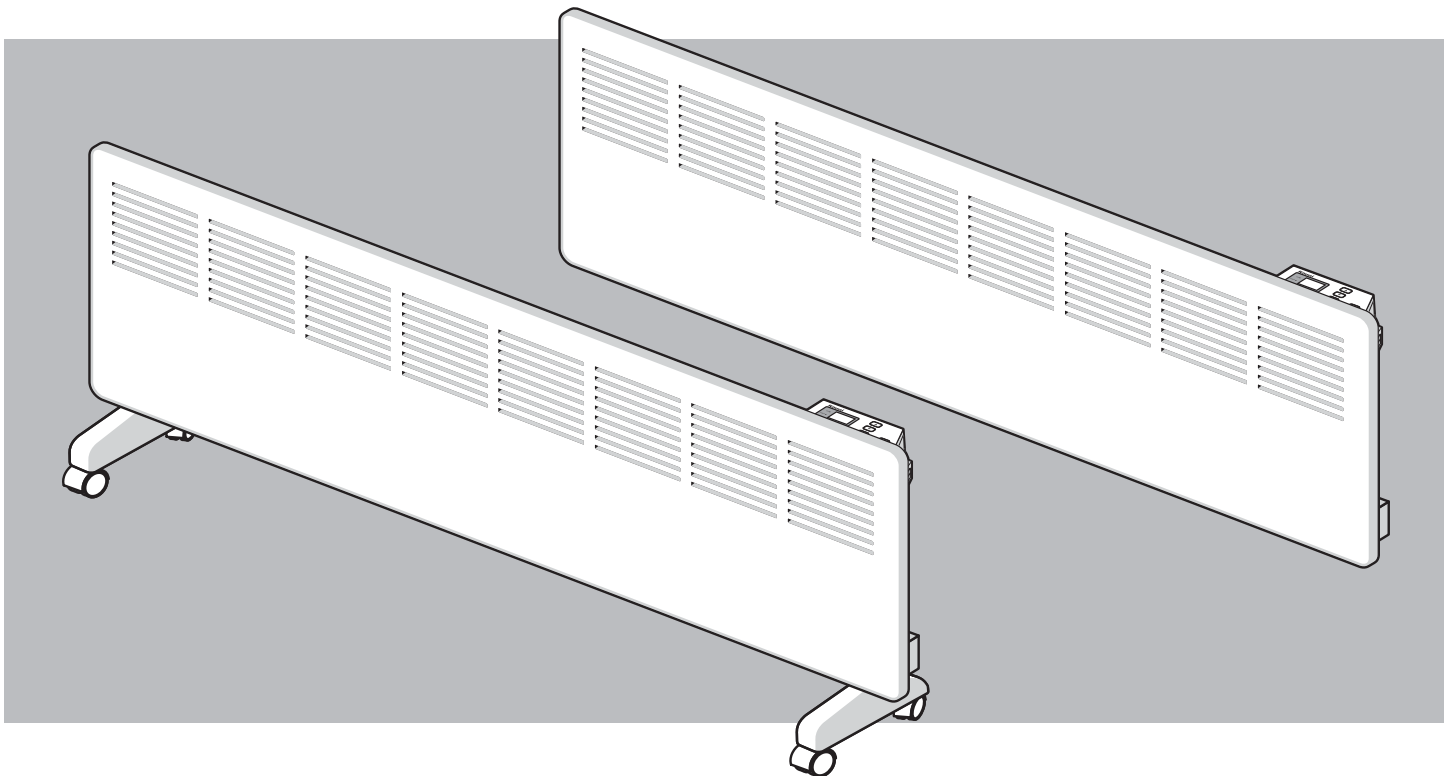


Rinnai

Customer Operation & Installation Manual Electric Panel Heaters

MODELS: JEPH-10DTW / JEPH-15DTW / JEPH-22DTW



For safe and reliable operation and optimum performance this appliance must be operated, installed and maintained in accordance with these instructions.

Read these instructions thoroughly before attempting installation and operation.

Keep these instructions handy for future reference.



N10378



ISO 9001 Lic 4983
SAI Global
Head Office Certified

Distributed and serviced in Australia under a Quality System certified as complying with ISO 9001 by SAI Global

WARRANTY, FEATURES & SPECIFICATIONS

WARRANTY

The benefits to the consumer given by this warranty are in addition to all other rights and remedies of the consumer under a law in relation to the goods or services to which the warranty relates.

Our goods come with guarantees that cannot be excluded under the Australian Consumer Law. You are entitled to a replacement or refund for a major failure and for compensation for any other loss or damage. You are also entitled to have the goods repaired or replaced if the goods fail to be of acceptable quality and the failure does not amount to a major failure.

This heater has a 7 year parts warranty from date of purchase. If the product fails within this 7 year period return it to the supplier with proof of purchase for repair or replacement.

Supplier warranty claims for Rinnai products or services must be made by contacting Rinnai Australia. Contact details are on the back of this document.

The following exclusions may cause the warranty to become void and may result in a service charge and costs of parts (if required):

1. Accidental damage and acts of God.
2. Failure due to abuse or misuse, improper maintenance, failure to maintain or improper storage.
3. Failure due to incorrect or unauthorised installations or outdoors use.
4. Failure or damage caused by alterations, service or repair work carried out by persons other than Rinnai service persons or service agents.
5. Where it is found that there is no fault with the appliance and the issue is related to the installation or is due to the failure of electricity supply.

FEATURES

This heater uses electricity as the heating medium. It operates on the 'natural convection' principle where air from the room is drawn into the 'air inlet' louvres at the base of the appliance, is heated inside the appliance and expelled through the 'air outlet' louvres at the top of the appliance without the use of fans. A sophisticated thermostatic system keeps the room close to the selected temperature.

DIY INSTALLATION

This heater is suitable for Do It Yourself installation.

SILENT OPERATION

Electric element operation eliminates fan noise.

DRAFT FREE

Non fan operation also means no drafts.

LOW MAINTENANCE

No moving parts makes for virtually maintenance free operation.

DELAY OFF TIMER FUNCTION

Equipped with delay off timer, which can be set in 1 hour increments from 1 to 24 hours.

'TAMPER RESISTANT' OPERATION

Includes a Lock function designed to prevent accidental operation and small children from altering the heater settings.

SPECIFICATIONS

Model		JEPH-22DTW	JEPH-15DTW	JEPH-10DTW
Rated Power		2200 Watt	1500 Watt	1000 Watt
Rated Voltage		240V ~ 50Hz		
Dimensions	Height	440mm	440mm	440mm
	Width	1000mm	580mm	420mm
	Depth	105mm	105mm	105mm
Weight		7.8kg	5.1kg	4.1kg
Installation Options		Wall/Freestanding	Wall/Freestanding	Wall/Freestanding

TABLE OF CONTENTS

WARRANTY, FEATURES & SPECIFICATIONS	i
WARRANTY.....	i
FEATURES.....	i
SPECIFICATIONS	i
SAFETY & IMPORTANT POINTS	1
UNPACKING THE APPLIANCE	1
WHAT'S IN THE BOX.....	1
SAFETY	1
HOW TO OPERATE THE HEATER	2
GENERAL DESIGN LAYOUT.....	2
MANUAL OPERATION.....	3
DELAY OFF TIMER OPERATION.....	4
ANTI-FROST PROTECTION FUNCTION	5
ELECTRONIC LOCK FUNCTION.....	5
CARE AND MAINTENANCE	6
CARE OF THE HEATER	6
SERVICE AND REPAIR	6
DISPOSAL	6
INSTALLATION	7
GENERAL.....	7
WALL INSTALLATION.....	7
FREESTANDING INSTALLATION	8
CONTACT INFORMATION.....	9

SAFETY & IMPORTANT POINTS

UNPACKING THE APPLIANCE

If any damage is evident **DO NOT INSTALL** or **OPERATE** and contact your supplier for advice.

WHAT'S IN THE BOX

The package should contain:

Heater fitted with flexible cord and plug.

A plastic bag containing the Operating and Installation Instructions and mounting screws.

Two plastic bags containing four castors, two castor brackets and two clips.

SAFETY

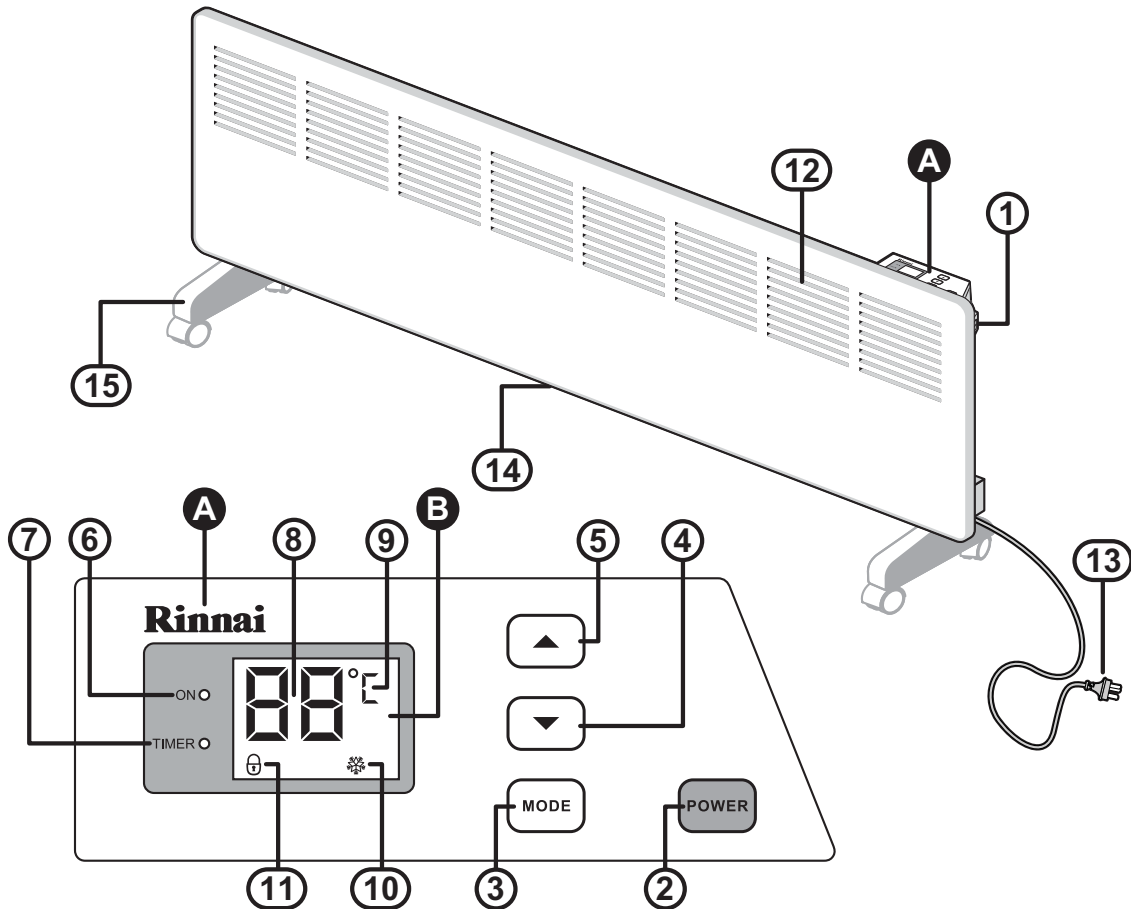
It is important the following precautions are followed to minimise the risk of overheating, fire, electric shock and injury.



- The heater is fitted with an Australian flexible cord and 2 pin plug intended for connection to an Australian 10 Amp socket outlet. It is not suitable for connection in other countries or alternative power supplies. Ensure that the voltage and frequency of the power supply correspond to the ratings on the dataplate of the appliance.
- This heater must not be located immediately below or directly in front of a socket-outlet.
- The heater may be direct wired only by a licensed electrical trades person in accordance with local regulations.
- This heater is not intended for use by persons (including children) with reduced physical, sensory or mental capabilities, or lack of experience and knowledge, unless they have been given supervision or instruction concerning use of the appliance by a person responsible for their safety.
- Young children should be supervised to ensure they do not play with the appliance.
- **DO NOT** allow children or persons with reduced physical, sensory or mental capabilities to sleep directly in front of the heater.
- **DO NOT** allow children to 'post articles' into the louvres of the heater.
- The electrical cord must not come into contact with the heated parts of the heater.
- **DO NOT** use power boards or double adaptors with this heater.
- **DO NOT** coil or bundle the electric cord to reduce it's length as overheating of the cord may occur which could result in a fire hazard.
- The flexible cord and plug must not be modified. If the cord or plug are damaged, they must be replaced by Rinnai or a Rinnai appointed service agent.
- **DO NOT** cover or place articles on or against any parts of this heater, to avoid overheating.
- **DO NOT** sit on this heater.
- If used as a portable heater, do not use in the immediate surroundings of a bath, a shower or a swimming pool.
- If used as a portable heater, unplug and allow to cool before placing in storage.
- If used as a portable heater, do not move whilst it is turned on.
- **DO NOT** unplug the heater by pulling on the flexible cord.
- **DO NOT** handle any parts of the heater, including the plug and flexible cord, with wet or damp hands.
- **DO NOT** immerse the appliance, flexible cord and plug in water or any other liquid.
- **DO NOT** place containers of any liquid or wax on top of the heater.
- Turn off the appliance and unplug from the power socket outlet when not in use.
- **DO NOT** use in areas where flammable liquids are stored.
- This appliance is suitable for indoor use only.
- Never dismantle the appliance. Tampering with electrical connections and components is highly dangerous and may cause appliance malfunction.

HOW TO OPERATE THE HEATER

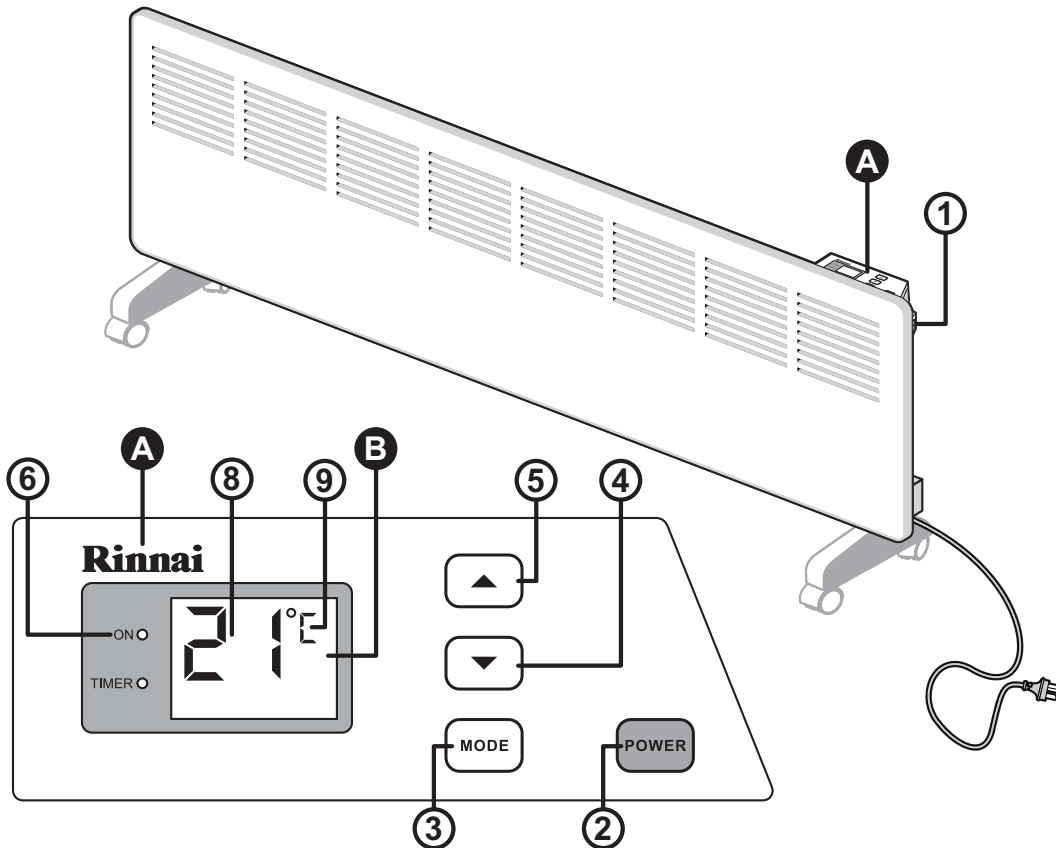
GENERAL DESIGN LAYOUT



- Ⓐ Control panel console
- Ⓑ LCD display
- ① MAIN POWER Switch
- ② POWER 'ON'/'OFF' button
- ③ MODE button, temperature/timer setting
- ④ 'DOWN' button
- ⑤ 'UP' button
- ⑥ Heater Operation indicator (Red)
- ⑦ Delay Off Timer Set indicator (Green)
- ⑧ Digital display
- ⑨ Degrees Celsius indicator
- ⑩ Constant Frost protection indicator
- ⑪ Lock indicator
- ⑫ Louvre, warm air discharge
- ⑬ 240 Volt power cord & plug
- ⑭ Air inlets
- ⑮ Optional castors for floor mounting (see "INSTALLATION" on pages 7 & 8 for installation options)

HOW TO OPERATE THE HEATER

MANUAL OPERATION



To turn the heater on and set the temperature:

Ensure heater is plugged in and the power socket outlet is switched on.

1. Turn the main power switch ① located on the right hand side of the appliance to the on position. The digital LCD Display ⑤ will illuminate briefly and a double beep will be heard.
2. Press the power button ② on the control panel console ④ to start heating operation. The red operation indicator ⑥ will illuminate. The two digits ⑧ on the display panel will show the programmed temperature setting. The factory setting temperature is 21°C.
3. To change the temperature setting press the MODE button ③. The °C indicator ⑨ on the display panel will flash as shown.



If after 5 seconds no buttons are pressed the °C indicator will stop flashing and the display will revert back to the current operating setting. Simply press the MODE button ③ to re-enter temperature setting operation.

Press the 'Up' ⑤ or 'Down' ④ buttons to increase or decrease the temperature setting. The available temperature setting range is from 5°C to 30°C.

4. To exit the temperature setting operation either press the MODE button ③ twice or wait 5 seconds. The selected temperature will now be set and displayed.

If the selected temperature is above that of the current room temperature the red operation indicator ⑥ will illuminate and the heater will begin to heat the room.

If the selected temperature is less than that of the current room temperature the red operation indicator ⑥ will go out and the heater will go into a standby state until the room temperature has fallen below the set temperature, when the heater will then automatically switch on and heat the room.

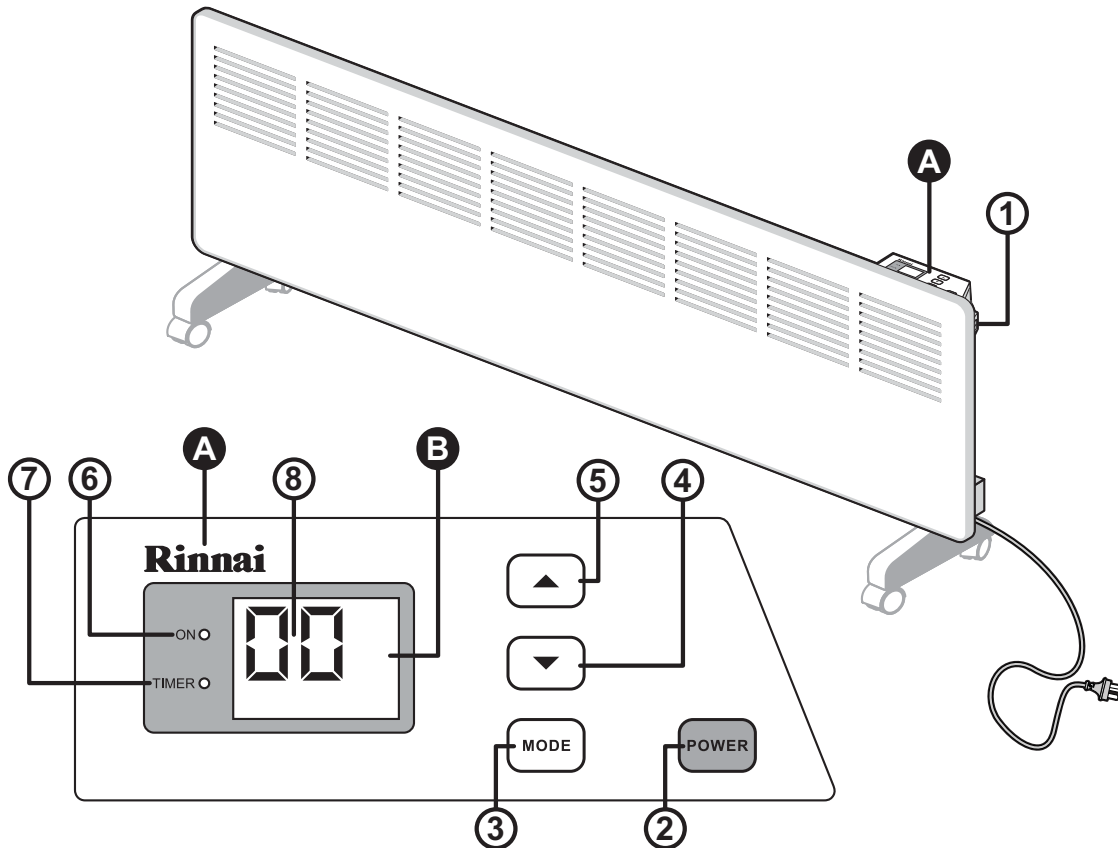
5. To stop heater operation completely press power button ②.



During the initial burning in period some light grey smoke and smell may be experienced. This is normal and is caused by the burning of oil and dust from the manufacturing process. During this period the space being heated should be well ventilated.

HOW TO OPERATE THE HEATER

DELAY OFF TIMER OPERATION



In addition to MANUAL OPERATION the heater can also be operated using a delay off timer. This allows the user to program the heater to operate for a set time period.

1. Set the desired operating temperature as per steps 1 through 3 “MANUAL OPERATION” on page 3.
2. After setting the desired temperature press the MODE button ③ once. The two digits ⑧ on the display panel will now display 00.



If after 5 seconds no buttons are pressed the 00 display will revert back to the current operating setting. Simply press the MODE button twice ③ to re-enter the timer setting operation.

3. Press the ‘Up’ ⑤ or ‘Down’ ④ buttons to set the required timer operation period. The delayed off timer can be set in 1 hour increments to a maximum of 24 hours.
4. To exit the delay off timer setting operation either press the MODE button ③ once or wait 5 seconds.

The Delay Off Timer Set indicator ⑦ will illuminate green to indicate that the heater is now in delay off timer operation.

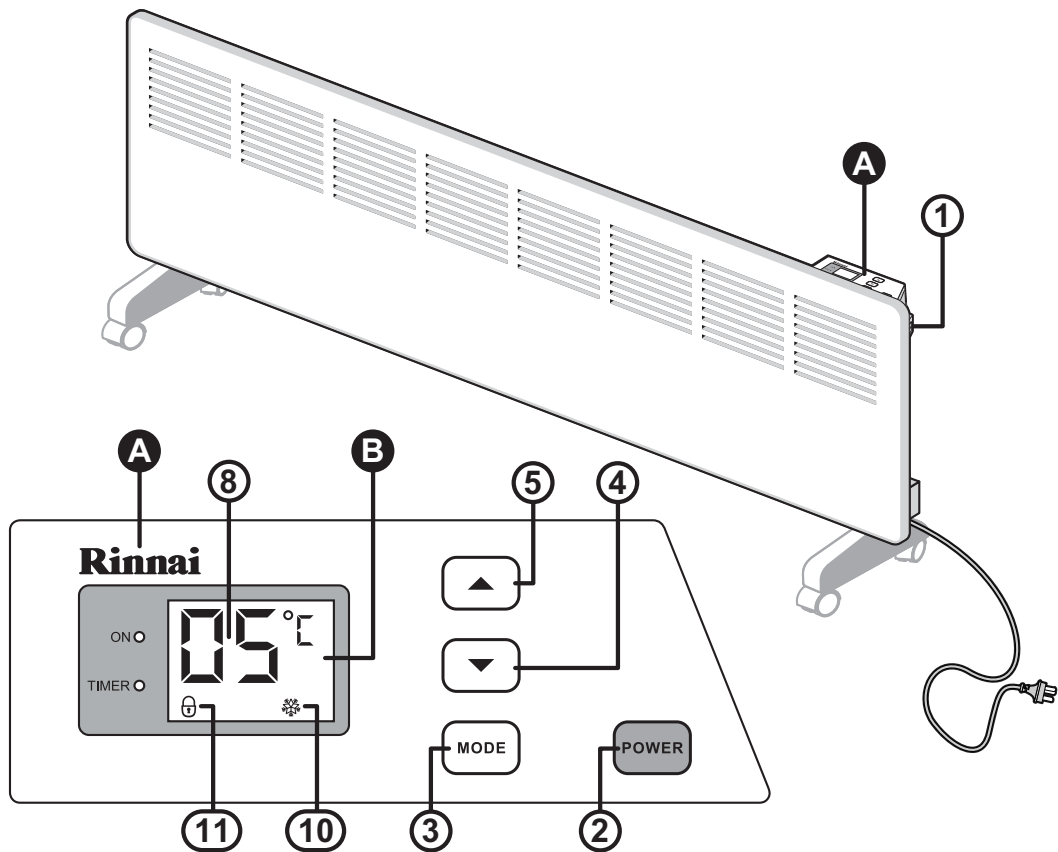
If the selected temperature is above that of the current room temperature the red operation indicator ⑥ will illuminate and the heater will begin to heat the room.

If the selected temperature is less than that of the current room temperature the red operation indicator ⑥ will go out and the heater will go into a standby state until the room temperature has fallen below the set temperature, when the heater will then automatically switch on and heat the room.

The two digits ⑧ on the display panel will alternate every 5 seconds between displaying the set temperature and the time remaining of the set delayed off timer period.

5. To cancel delay off timer and return manual operation press MODE button ③ three times
6. To stop heater operation completely press power button ②.

HOW TO OPERATE THE HEATER



ANTI-FROST PROTECTION FUNCTION

If the set temperature (8) is set to 5 °C then the constant frost protection program will be activated and the constant frost protection (snowflake symbol) indicator (10) will be illuminated.

This is useful during winter in alpine areas where the ambient temperature is likely to fall below 5° C.

ELECTRONIC LOCK FUNCTION

The Lock function is designed to prevent accidental operations and small children from altering the heater settings.

To Activate the Lock

Press the up button (5) and the button (4) simultaneously until the padlock symbol (11) is displayed. All control functions are now locked and none of the buttons on the control will work.

To Deactivate the Lock

To deactivate the lock, repeat locking step above to return to normal operation



The Lock function is also de-activated if the heater is switched 'off' via the main power switch (1).

NOTE

CARE AND MAINTENANCE

CARE OF THE HEATER

Due to the 'natural convection' operating principle it is normal that some dust and fluff may build up at the air inlet and air outlet louvres over time. This will reduce operating effectiveness and may result in the appliance overheating if left for too long.

DO NOT use solvents to clean any parts.

To remove dust and clean the appliance:

1. Unplug the electric plug of the heater from the socket outlet before commencing cleaning.
2. Allow to cool down.
3. Use a vacuum cleaner to remove any dust and fluff from the inlet and outlet louvres.
4. All parts of the heater can be cleaned using a soft, damp cloth with some mild detergent (such as dishwashing liquid) if required.
5. Ensure the heater is dry before reconnecting to the electricity supply.

SERVICE AND REPAIR

If the electric power cord or plug are damaged, they must be replaced by Rinnai or a Rinnai appointed service agent.

There are no user serviceable parts inside the appliance. All service and repair work must be carried out by persons competent and permitted by law to do so.

If the heater requires service or repair contact your supplier or Rinnai Australia.

DISPOSAL

Electrical appliances may contain materials which, if handled or disposed off incorrectly, present a hazard to humans or the environment.

DO NOT dispose of your old appliance with your household waste. Dispose of your old appliance at your local community waste collection / recycling centre and ensure it presents no danger to children whilst being stored for disposal.

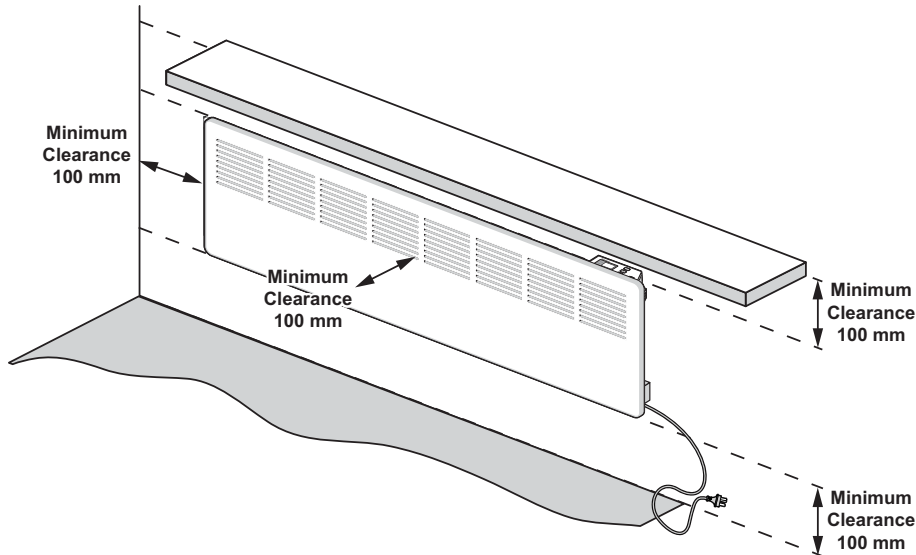
INSTALLATION

GENERAL

This heater is suitable for Do It Yourself installation. It can be either wall mounted (fixed installation) or freestanding by mounting castors in accordance with these instructions. A phillips head screwdriver is required for installation. For wall installation other tools and hardware may be required, depending on the wall material.

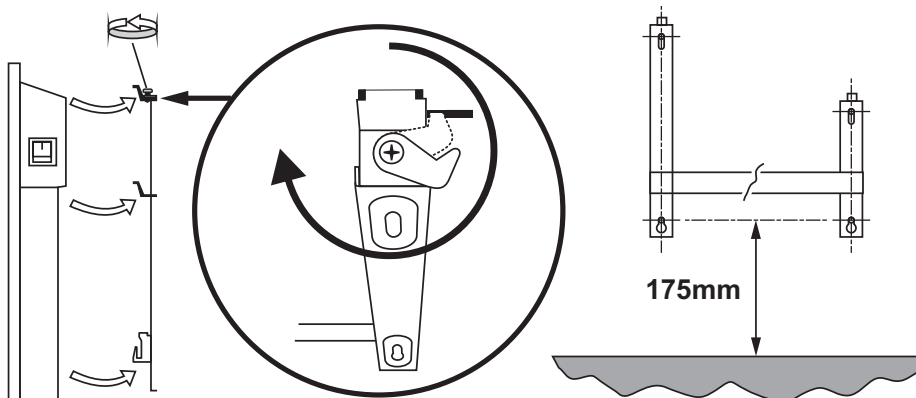
WALL INSTALLATION

The clearance from the sides, front and top of the heater must be at least 100mm as shown in the diagram below.



- This heater **MUST NOT** be located immediately below a socket-outlet.
- This heater **MUST** be positioned within one metre of a socket-outlet to ensure the flexible cord and plug can reach it.
- This heater is **NOT** designed to be built in.
- **DO NOT** attach the castors to the heater base for wall installations.
- The heater is suitable for installation in non-communal baths and shower areas or bathrooms. It is to be installed such that switches and other controls cannot be touched by a person in the bath or shower. Consult your licensed electrical trades person for installation in communal baths and shower areas or bathrooms.

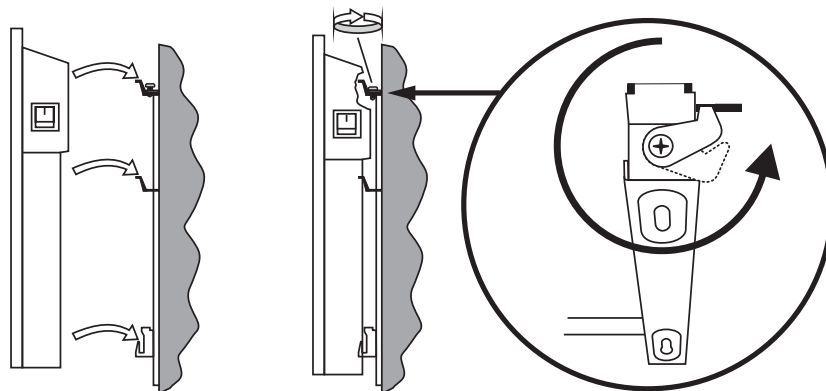
1. Ensure the heater is unplugged from the power socket outlet and the 'on / off' switch is in the off position before commencing wall mounting.



2. Loosen the locking latch on the taller leg of the mounting bracket and detach the mounting bracket from the back of the panel heater.
3. Position the mounting bracket on the wall. Ensure the two bottom mount holes are at least 175mm from the floor and drill holes as required.

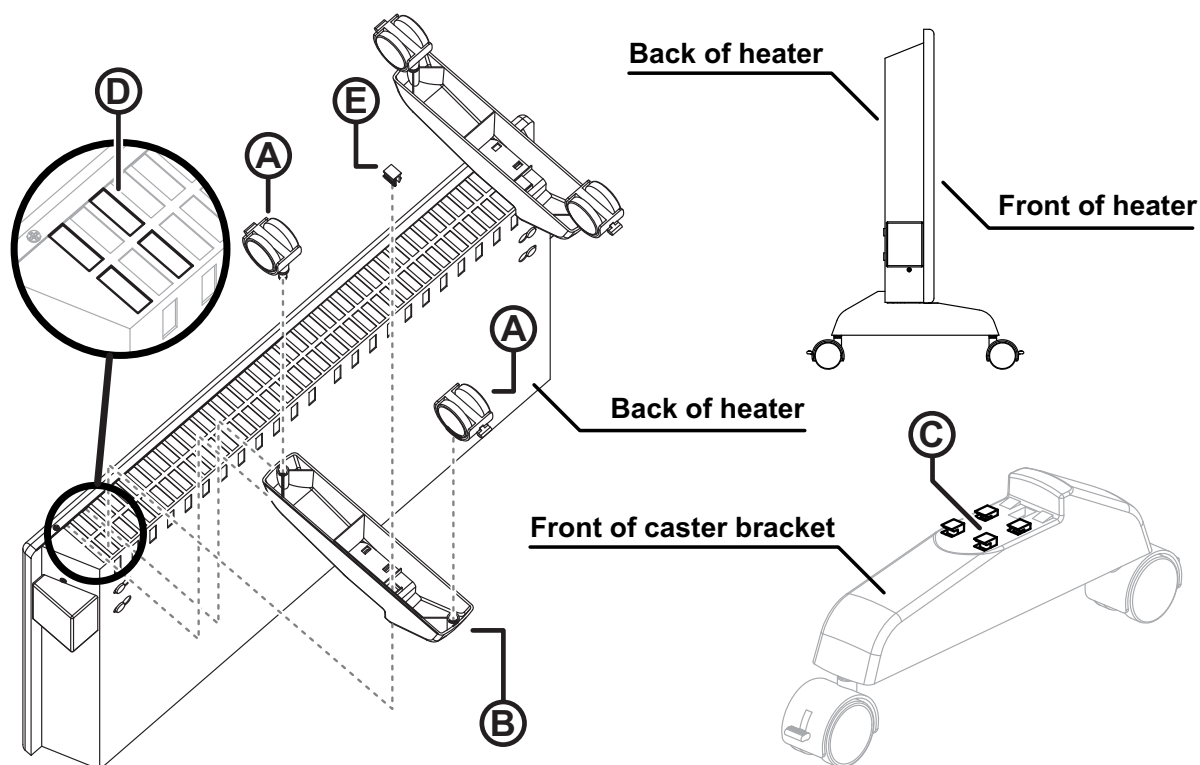
INSTALLATION

- Secure the mounting bracket to the wall with the 4 mounting screws. For masonry walls use the plastic plugs with screws provided. For plaster walls obtain suitable plasterboard fasteners from a building hardware supplier.



- Re-attach the heater to the mounting bracket and secure in place with the locking latch.
- Remove the cable tie from the flexible cord and insert the 2 pin plug of the heater into the power socket outlet. **DO NOT** bundle or coil the flexible cord to reduce its length as overheating and subsequent fire hazard could result.

FREESTANDING INSTALLATION



- Be sure heater is unplugged and power switches are off.
- Place the heater in an 'upside down' position with the back of the heater facing you.
- Assemble the 2 castors **A** to the each castor bracket **B** by pushing the metal shaft fully home.
- With the front end of the castor support bracket pointed towards the front of the heater, align the four locating tabs **C** with the four of the outer most air inlets **D** then push down and forward until the tabs are fully engaged with the heater. Then secure each of the castor brackets in place with the retaining clips **E**.
- Remove the cable tie from the flexible cord and insert the 2 pin plug of the heater into the power socket outlet. **DO NOT** bundle or coil the flexible cord to reduce its length as overheating and subsequent fire hazard could result.

Rinnai

Rinnai Australia Pty. Ltd. ABN 74 005 138 769

Head Office

10-11 Walker Street,
Braeside, Victoria 3195
P.O. Box 460
Tel: (03) 9271 6625
Fax: (03) 9271 6622

Rinnai has a Service and Spare Parts network with personnel who are fully trained and equipped to give the best service on your Rinnai appliance. If your appliance requires service, please call our Service Line.

Internet: www.rinnai.com.au E-mail: enquiry@rinnai.com.au

National Help Lines

Sales & Service

Tel: 1300 555 545* Fax: 1300 555 655*

Spare Parts & Technical Info

Tel: 1300 366 388* Fax: 1300 300 141*

**Cost of a local call Higher from mobile or public phones.*