

RINNAI SIDEWAYS FLUE DIVERTER SFD-01 INSTALLATION INSTRUCTIONS

General Information

Rinnai sideways flue diverter SFD-01 fits the following Rinnai Continuous Flow water heater models:

REU-V2626WG	-	INFINITY 26
REU-VM2630WD	-	INFINITY 26 Plus
REU-VM2630WC	-	HD 200e
REU-V2426WS	-	S26
REU-V2426WB	-	V1500

It is not compatible with other continuous flow water heater models.

Rinnai sideways flue diverter SFD-01 is certified by the Australian Gas Association (AGA) as a component of the water heater appliances with which it is compatible. For the certification number see the data plate on the appliance.



Installation of heater and flue system shall be in accordance with:

- **Manufacturers Installation Instructions.**
 - **Current AS 5601 Gas Installations.**
 - **Local Regulations and Municipal Building Codes.**
- Installation, service and removal by an Authorised Person only.**
Continuous flow water heater to be installed in accordance with the 'Operation / Installation Manual' supplied with the appliance.

Applications

The Rinnai sideways flue diverter is intended for fitting to Rinnai continuous flow water heaters installed on balconies, patios or similarly enclosed areas to facilitate free expulsion of combustion products out of the enclosed area. This may not occur if the appliance is installed without the sideways flue diverter.

Rinnai external continuous flow water heaters mounted against a wall without the sideways flue diverter, will expel flue products in a horizontal direction outwards and away from the wall against which the appliance is mounted. Fitment of the sideways flue diverter results in the flue products being expelled from the appliance in a sideways direction, along the wall as shown in Figure 1.

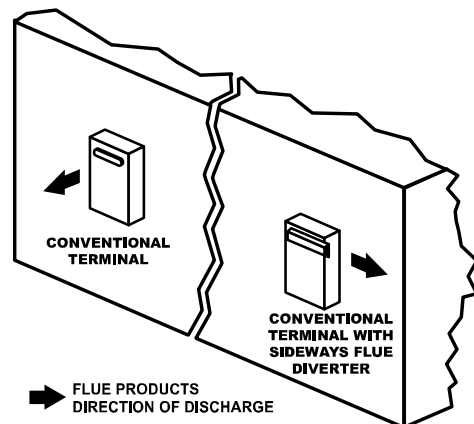


Figure 1 - Flue Discharge

Installation Requirements

Figure 2 (on page 2) shows the location conditions and clearances which apply when Rinnai continuous flow water heaters are fitted with the sideways flue diverter and installed on balconies, patios or similarly enclosed areas. Other relevant clearances in Figure 5.3 of AS5601 continue to apply when the sideways flue diverter is fitted.



- **Fitment of the Rinnai sideways flue diverter is suitable ONLY when all flue products result in being expelled freely into an above ground open-air situation with natural ventilation, without stagnant areas where products of combustion are rapidly dispersed by wind and natural convection.**
- **The Rinnai sideways flue diverter is not suitable for Rinnai continuous flow water heaters installed in recess boxes.**
- **Rinnai sideways flue diverter SFD-01 is suitable for single water heater applications only. It is not suitable for multiple installations of Rinnai continuous flow water heaters on one balcony, patio or similarly enclosed space.**
- **The Rinnai sideways flue diverter is certified for use only with the Rinnai continuous flow water heater models listed in this Instruction. It is not compatible with any other Rinnai or other manufacturers' appliances.**

LOCATION CONDITIONS AND CLEARANCES

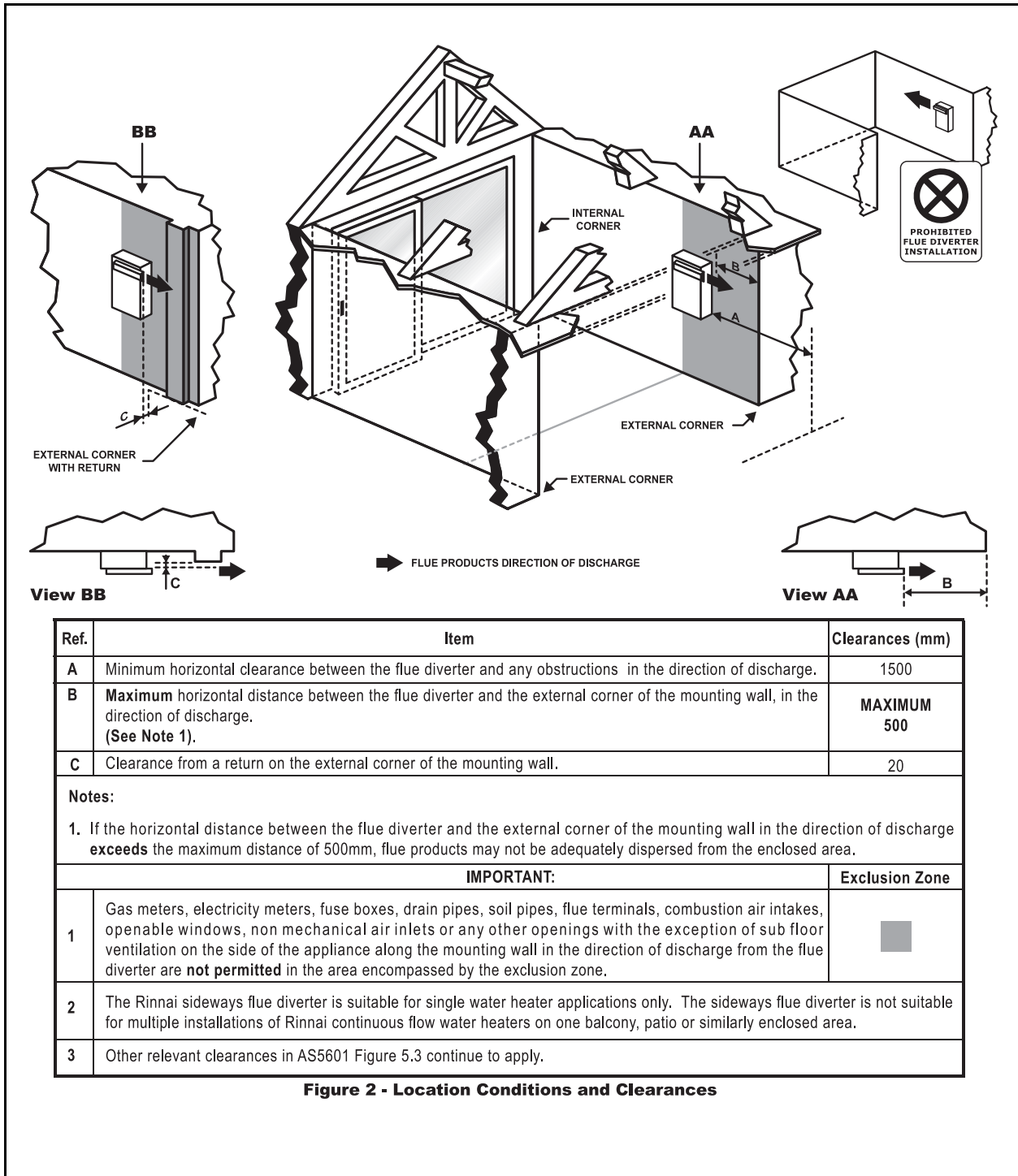
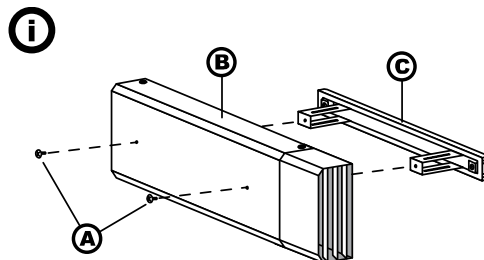


Figure 2 - Location Conditions and Clearances

INSTALLATION

① Preparation

1. Unpack the diverter assembly from its packaging.
2. Remove the two retaining screws (A) from the front of the box panel (B).
3. Separate the mounting bracket (C) from the rear of the box panel (B).

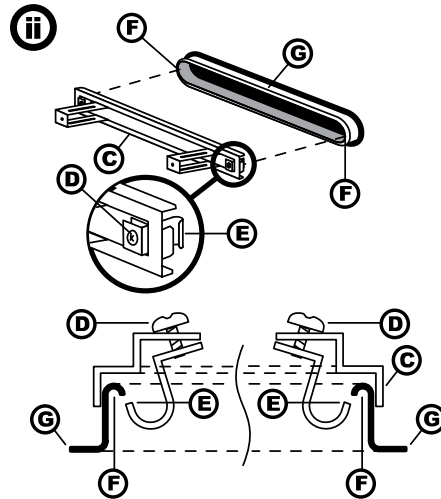


INSTALLATION

ii Fitting Mounting Bracket To The Appliance

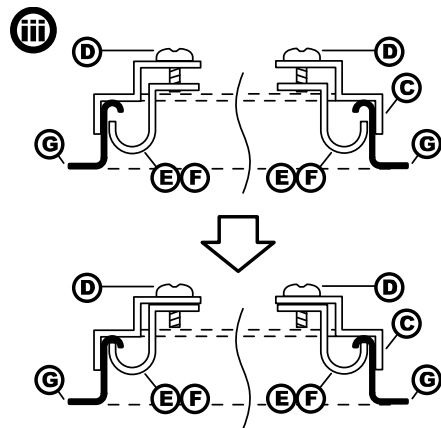
- Loosen the 2 adjustment screws ④ located on both ends of mounting bracket ③.

This allows cup hooks ⑤ of the mounting bracket ③ to be positioned inside the lip ⑥ of the appliance flue terminal ⑦.



iii Securing Mounting Bracket To The Appliance

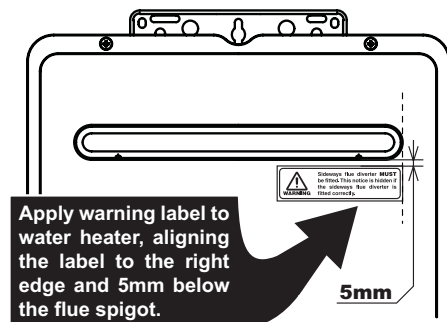
- Align the cup hooks ⑤ with the lip ⑥ so that when the 2 adjustment screws ④ are re-tightened both will engage.
- Re-tighten the 2 adjustment screws ④ until the cup hooks ⑤ and the lip ⑥ are firmly engaged and secured.



- Apply the warning label to water heater, aligning the label to the right edge and 5mm below the flue spigot as shown.



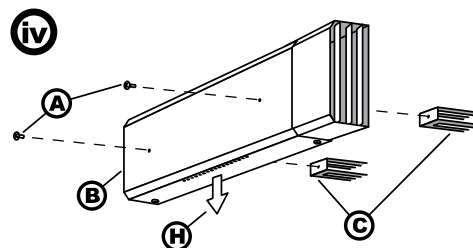
The warning label becomes hidden once the sideways flue diverter is fitted to the appliance. This warning label reminds a serviceperson to replace the sideways flue diverter after servicing activities.



iv Attaching The Box Panel

- Re-attach the box panel ② to the mounting bracket ③ with the retaining screws ① removed in step 2.

Ensure that the drainage holes ⑧ are pointing downwards. See step ⑤ for details of left or right handed flue product discharge.



INSTALLATION

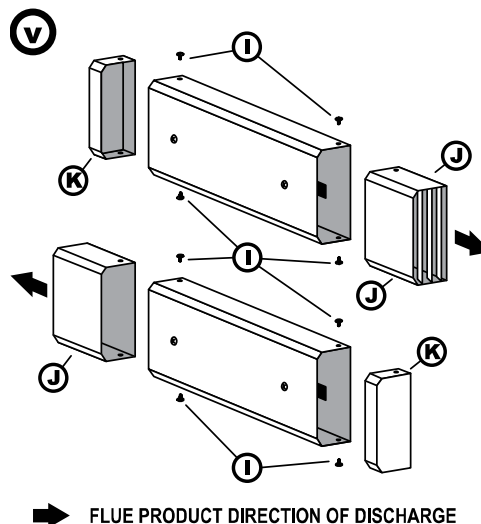
Ⓥ Left Or Right Handed Installations

9. The sideways diverter can be installed for left or right handed flue product discharge.

To set the direction of discharge remove the four retaining screws ① from the top and bottom of the box panel.

10. Remove both the terminal ② and the blanking plate ③ from each and reverse their positions to suit discharge requirements.

11. Re-secure the terminal ② and the blanking plate ③ in the new position with the four retaining screws ① removed in step 8.



For Western Australia only:

Energy Safety WA Notice of Exemption V/E 07/03 authorises the installation of Rinnai Sideways Flue Diverter SFD-01 in Western Australia in accordance with these Installation Instructions. The installer is to record Notice of Exemption number V/E 07/03 on the Energy Safety WA compliance badge under "Special Conditions".

Rinnai Australia Pty. Ltd. ABN 74 005 138 769

Head Office
10-11 Walker Street,
Braeside, Victoria 3195
P.O. Box 460
Tel: (03) 9271 6625
Fax: (03) 9271 6622

Internet: www.rinnai.com.au E-mail: enquiry@rinnai.com.au

National Help Lines
Spare Parts & Technical Info
Tel: 1300 366 388*
Fax: 1300 300 141*

*Cost of a local call Higher from mobile or public phones.
Hot Water Service Line Tel: 1800 000 340

U250-1960
Printed in Japan