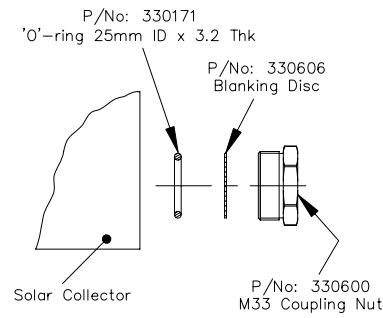
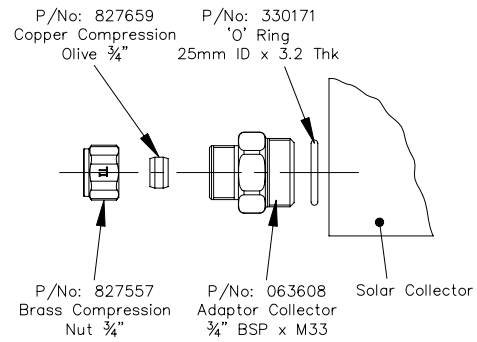


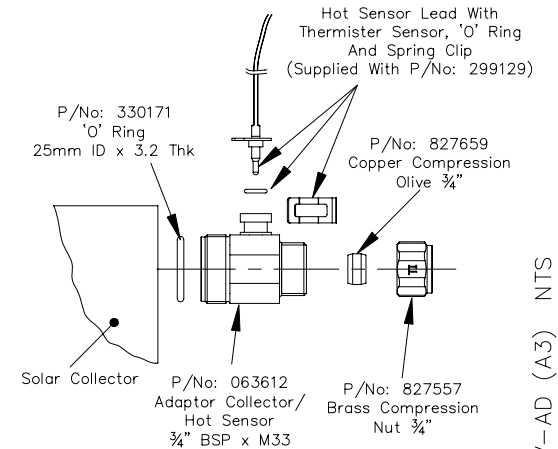
DETAIL A  
Collector Union Assembly



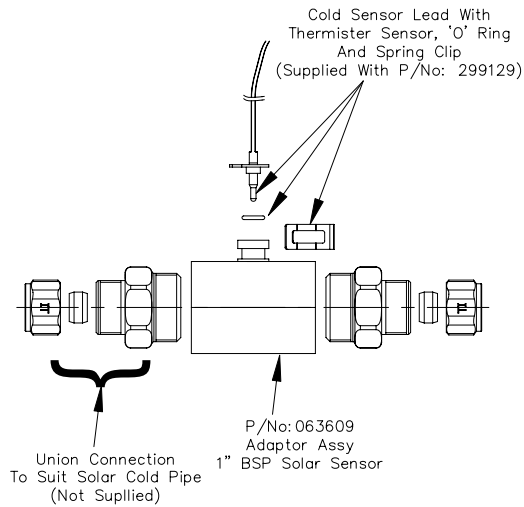
DETAIL B  
End Plug Assembly



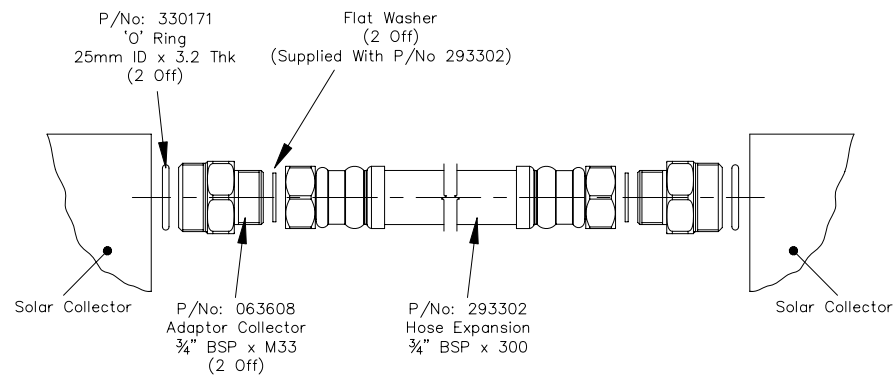
DETAIL C  
Collector Inlet/Outlet  
Connector Assembly



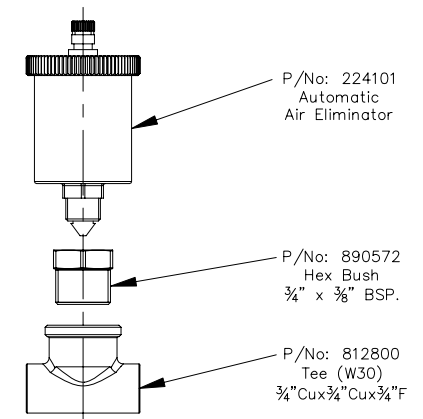
DETAIL D  
Hot Sensor Connector  
Assembly



DETAIL E  
Cold Sensor Connector  
Assembly



DETAIL F  
Expansion Hose  
Assembly



DETAIL G  
Automatic Air Eliminator  
Assembly

## DETAIL SHEET

# LOLINE COMMERCIAL SOLAR INSTALLATION USING NPT200 COLLECTORS

