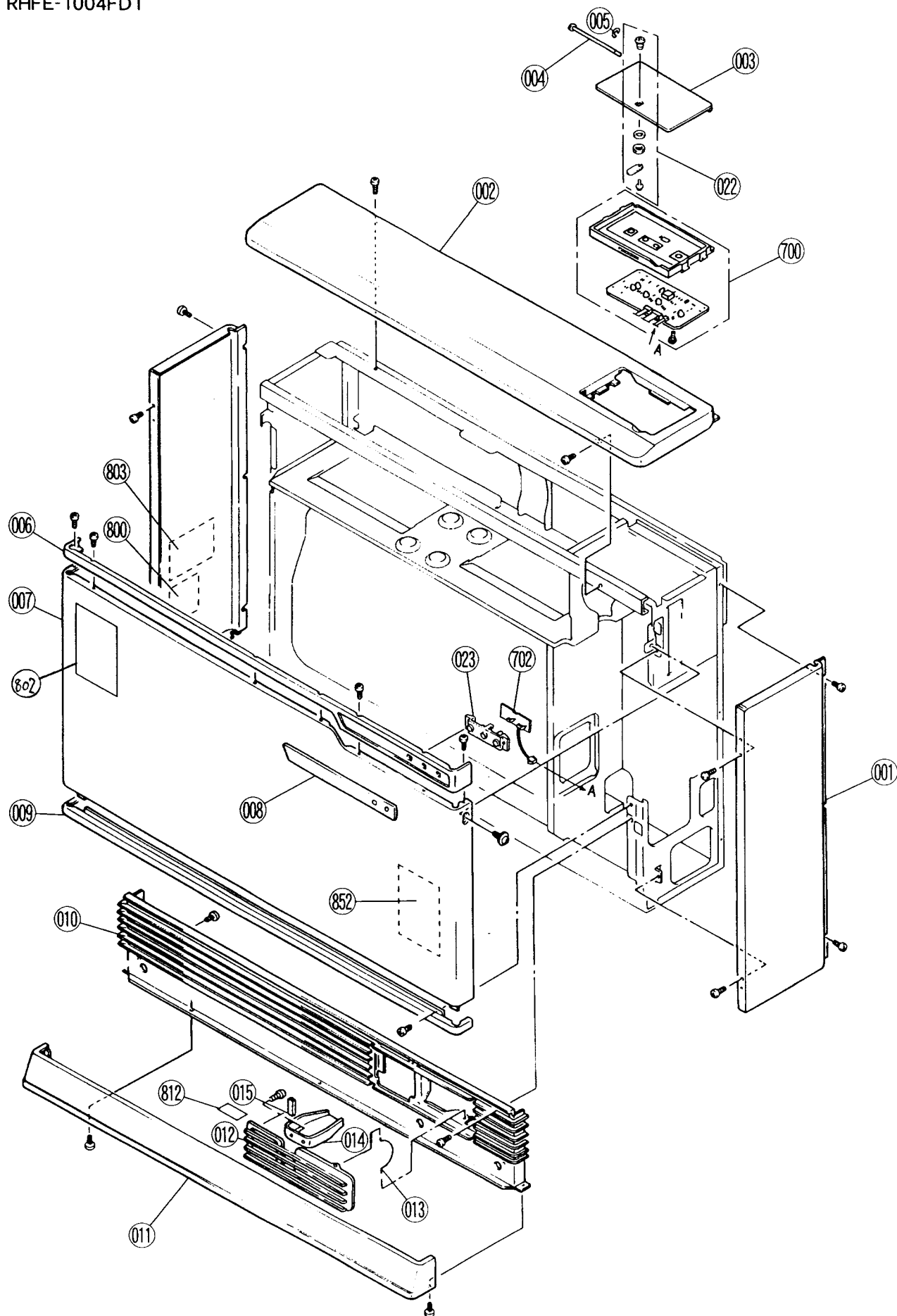


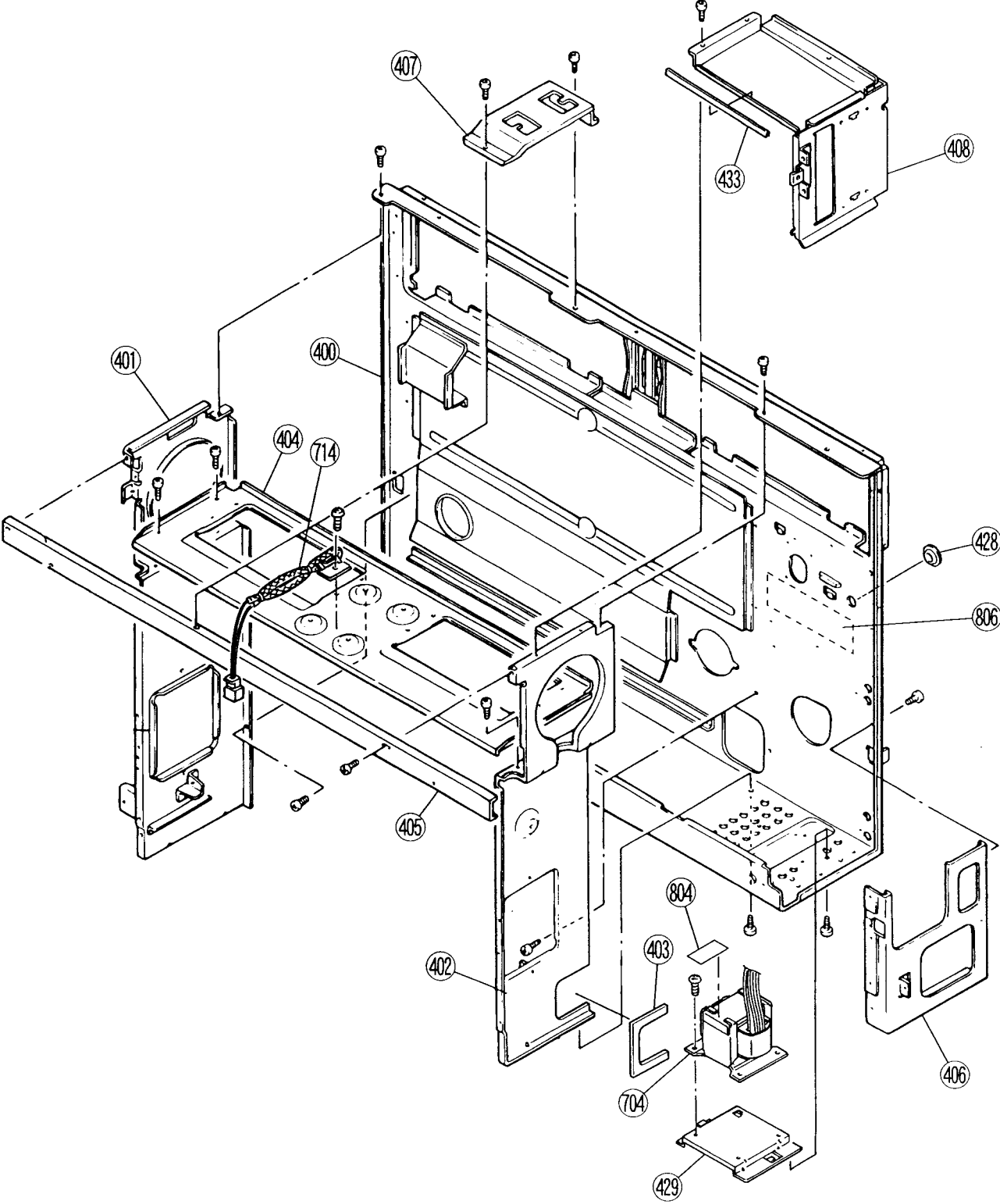
No.	1004 FDT	RA Item No.	11 Digit Code
1	PANEL SIDE L/R 0	90185513	003-262-000
2	PANEL TOP 0	90185521	001-729-000
3	LID CONTROL 0	90185539	035-0016000
4	HINGE PIN	90185547	528-168-000
5	HINGE PIN CIRCLIP	90185554	501-387-000
6	PANEL TOP TRIM 0	90103383	019-890-000
7	PANEL FRONT 0	90102930	019-868-000
8	INDICATION PANEL		063-366-000
9	TRIM LOUVRE 0	90102880	095-150-000
10	LOUVRE BOTTOM 0	90102757	095-142-000
11	PANEL TRIM BOTTOM 0C	90102682	518-039-000
12	DOOR HUMIDIFIER 0	90185570	035-0017000
13	HINGE LOUVRE DOOR	90144296	064-039-000
14	SPOUT HUMIDIFIER	90144304	517-237-000
15	MAGNET HUMIDIFIER	90161803	228-003-000
16	SPACER SIDE L0C	90108218	034-631-000
17	SPACER SIDE R0C	90108317	034-632-000
18	CLIP WALL SPACER	90147471	504-018-000
19	SPACER TOP 0C	90108192	034-630-000
20	FILTER	90185893	017-173-000
21	BRKT SUPPORT SPACER	90185901	537-552-000
22	KEY & LOCK	90180324	066-812-000
23	BRKT INDICATOR SUPPORT	90185588	208-156-000
24	BASE ASSY	90122797	015-124-000
25	RUBBER BKT ASSY	90168337	537-681-000
26	BASE RUBBER	90168329	015-180-000
100	BURNER R C		170-245-000
101	BURNER L C		170-248-000
102	SMALL BURNER C		170-246-000
103	PANEL DAMPER	90168378	140-141-000
104	GASKET BURNER BOX	90195975	510-786-000
105	BURNER RETAINER L ASSEMBLY		537-805-000
106	BURNER RETAINER R ASSEMBLY		537-752-000
107	FLAME ROD	90142803	230-017-000
108	ELECTRODE RETAINER		506-026-000
109	ELECTRODE & SENSOR	90142993	202-068-000
110	BRKT ELECTRODE CLIP	90168204	506-101-000
111	ELECTRODE SEAL	90168386	510-787-000
112	ROD AERATION	90123449	068-069-000
115	BLIND PANEL L		035-511-L00
116	BLIND PANEL R		035-511-R00
117	CONNECTING TUBE C		332-585-000
118	CONNECTING TUBE B		109-145-000
119	CONNECTING TUBE A		109-144-000
120	O RING GAS TUBE	90187188	520-388-000
121	CONNECTING TUBE FIXING BR		037-0002000
122	Connecting Tube Fixing		537-393-000
123	CONNECTING TUBE BRACKET		537-732-000
124	GAS CONTAROL ASSY <b>LPG</b>	90185711	120-841-LPG
124	GAS CONTAROL ASSY <b>NG</b>	90185729	120-841-NG0

No.	1004 FDT	RA Item No.	11 Digit Code
137	COMB CHAMBER	90185851	314-412-000
138	SEAL AIR INLET	90158502	510-497-000
139	PACKING GLASS WINDOW	90185869	510-520-000
140	GLASS VIEWING WINDOW	90185877	061-039-000
141	GLASS RETAINER		538-231-000
142	PANEL BLANKING	90168394	035-0089000
144	HEAT EXCH NO 1	90185844	314-413-000
147	SECONDARY HEAT EXCHANGER		108-118-000
148	LOCK SPACER		550-066-000
152	HEAT EXCHANGER RETAINER S		518-006-000
153	O-RING		520-384-000
154	ELBOW EXHAUST	90158395	191-113-000
155	TUBE SLIDE EXHAUST	90158361	554-110-000
157	FLUE ADAPTER	90185935	561-041-000
158	STOPPER EXHAUST	90177882	512-333-000
159	FLUE LOCKING CLAMP A	90177783	512-404-000
160	SNAP STOPPER S ASSEMBLY		512-428-000
161	COVER		034-758-000
162	ELBOW COVER STOPPER		512-250-000
163	STANDARD WALL TOP		055-553-000
164	ELBOW AIR INLET B	90145806	191-140-000
165	HOSE AIR INLET	90145632	513-080-000
166	HOUSING INLET PLASTIC	90185695	094-011-000
167	AIR INTAKE PACKING		580-725-000
170	AIR INTAKE DUCT		055-324-000
171	SEALING GASKET		510-788-000
172	COMBUSTION FAN CASING ASS		098-0031000
173	NOISE ABSORBER FIXTURE		508-706-000
174	NOISE ABSORBER		097-002-000
177	CUSHION	90183195	540-051-000
178	S SCREW (MOTOR)		501-303-000
180	FAN COMB	90185760	040-247-000
181	BLIND CAP		035-0090000
182	FRANGE B		190-152-000
183	FILTER		017-287-000
184	GASKET	90176637	510-519-000
185	SCREW TEST POINT	90195157	501-275-005
186	O RING (S4) TEST POINT	90195165	520-300-010
187	SCREW		501-317-000
192	BUSHING REINFORCE		194-110-000
400	REAR PANEL A ASSEMBLY		004-521-000
403	WARM AIR SEALING GASKET		510-785-000
409	MOTOR FAN CONV	90185612	222-437-000
410	BRKT MOTOR FAN	90122847	037-659-000
411	DRUM FAN CONV LH	90132234	040-156-000
412	DRUM FAN CONV RH	90132242	040-157-000
413	FAN CASING ASSEMBLY		098-490-000
414	WARM AIR FAN BELL MOUTH		036-077-000
415	SHIELD HEAT FRONT PANEL	90195300	030-473-000
417	BLANK WINDOW PANEL		035-509-000

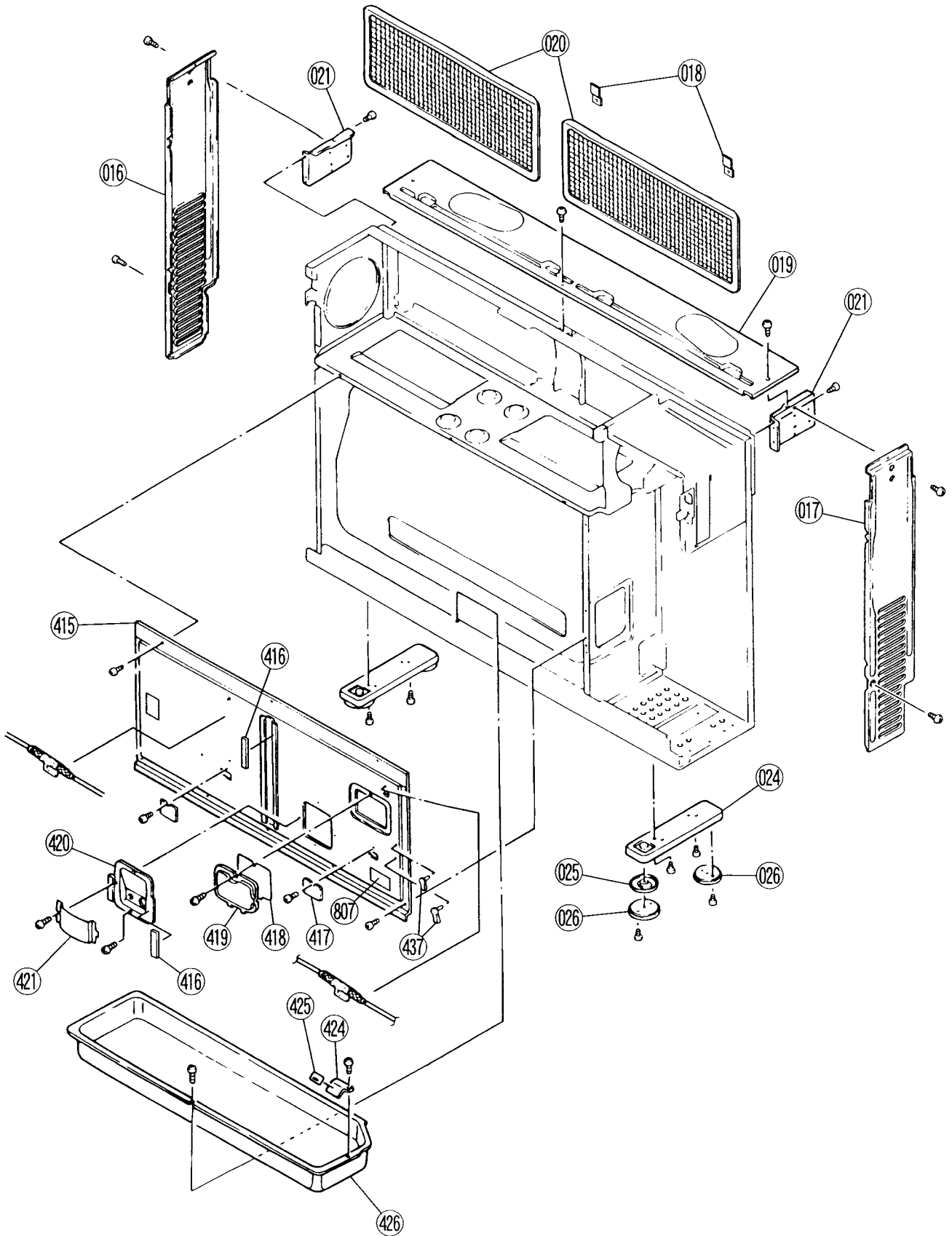
No.	1004 FDT	RA Item No.	11 Digit Code
418	INSULATION SHEETING	90142563	251-021-000
419	OVERHEAT SWITCH WIND SHIELD		039-124-000
420	ELECTRODE BLIND PANEL		035-510-000
421	ELECTRODE COVER		034-756-000
423	OHS	90185646	234-520-000
424	WATER LEVEL INDICATOR	90170036	065-044-000
425	WATER LEVEL LABEL B		602-654-000
426	TRAY HUMIDIFIER	90145566	078-011-000
428	SEALING CAP		035-0091000
430	CIRCUIT BOARD SPACER		550-129-000
432	ELEC CORD BKT	90177114	538-180-000
435	CONVECTION FAN ALL ASSY		040-311-000
700	PCB CONTROL PANEL 0	90188616	200-772-000
702	LED CONTROL PANEL	90185596	200-865-000
703	SPARKER	90175829	262-028-000
704	TRANS	90185778	224-270-000
705	PCB MAIN	90185653	200-800-000
707	ELEC CORD ASSY	90185786	206-177-000
708	MOTOR HARNESS B ASSEMBLY		290-933-000
710	FLAME ROD HARNESS		290-935-000
711	HIGH TENSION CORD C		203-786-000
712	THERMISTOR ASSY	90185810	290-932-000
713	SV IG WIRE HARNESS		290-934-000
714	THERMAL FUSE ASSY	90185794	290-936-000
804	WARNING DECAL ELECTRIC	90176017	602-236-000
806	LABEL NG		602-579-000
806	STICKER LPG		602-701-000
807	WARNING DECAL	90175993	602-235-000
812	"PULL" LABEL		602-658-000
854	KEY ONLY	90182544	066-835-000
999	CLIP		504K018-000
999	PIPE FOR HEAT EXCHANGER		554-195-000

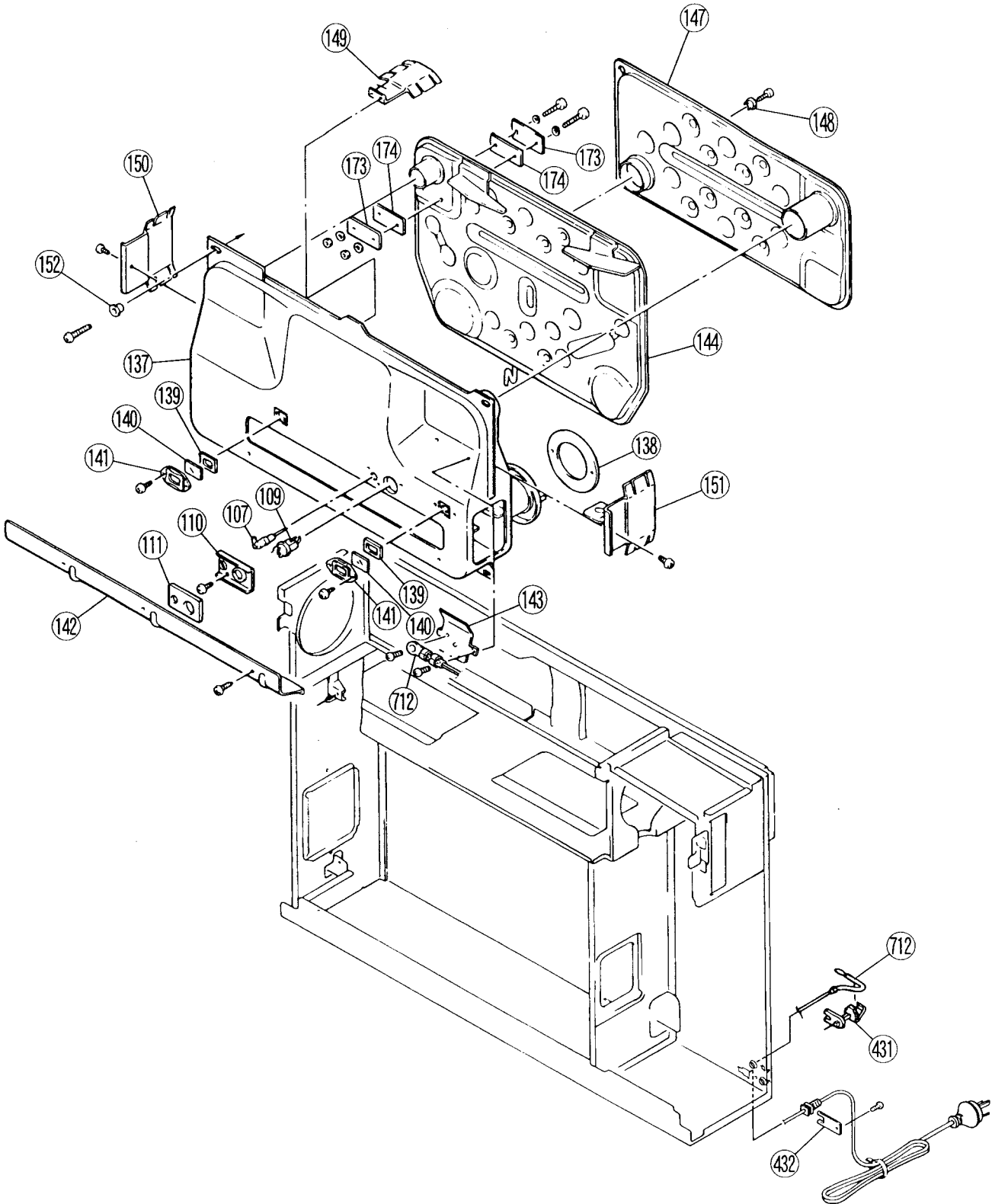
RHFE-1004FDT



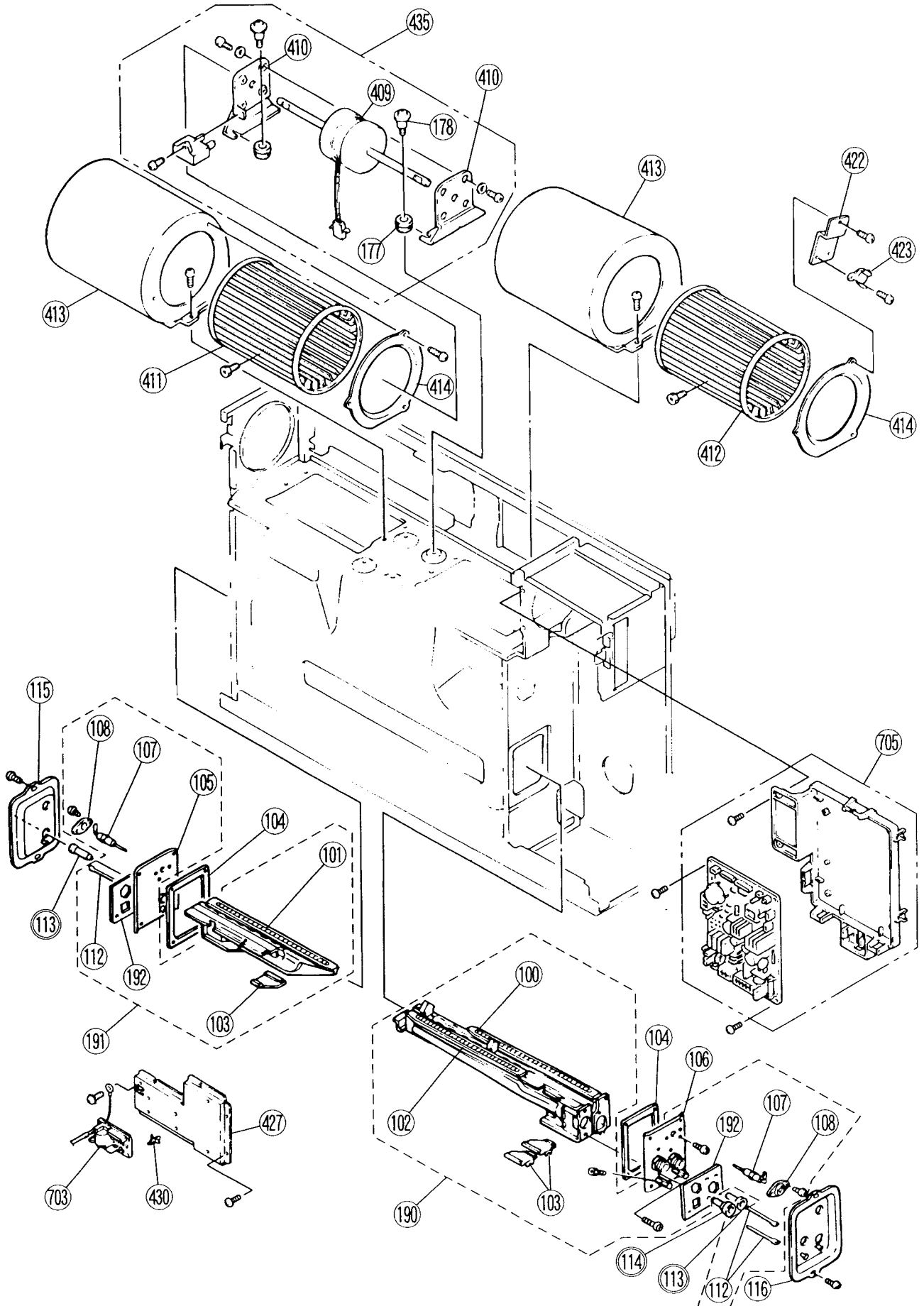


RHFE-1004FDT



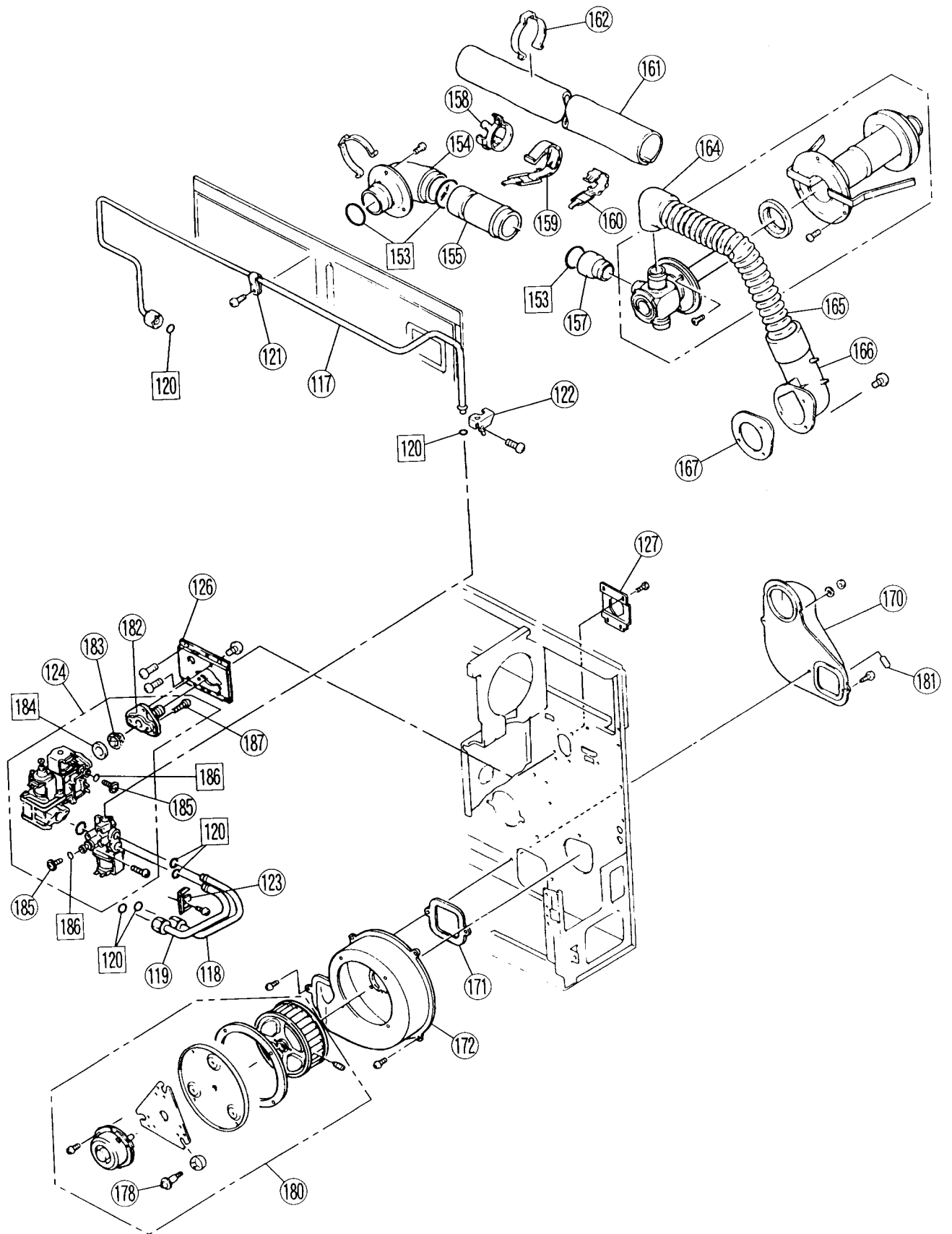


RHFE-1004FDT





RHFE-1004FDT



RHFE-1004FDT

