

556FDT - WHITE

No.	RA Item	Description	11 Digit Code
2		TOP PLATE REINFORCE	044-009-000
3	90102070	PANEL TOP 0	001-592-000
4	90102146	MOULD PANEL CONTROL 0C	014-251-000
5	90102310	MOULD PANEL CONTROL ROC	019-848-000
8	90102526	PANEL SIDE ROC	003-260-000
9	90102542	PANEL SIDE LOC	003-261-000
10		FILTER SUPPORT	538-058-000
11	90102161	BRKT FILTER SIDE	538-059-000
12	90103367	FILTER ASSY 0	017-288-000
13		CONVECTION FAN BRACKET	538-060-000
14	90194218	LATCH	512-419-000
15		LEG	015-147-000
17		WARM AIR SEALING PLATE	512-420-000
18	90175563	HEAT EXCH GASKET	580-640-000
19	90102559	LOUVRE BOTTOM 0	095-139-000
20	90175589	STRIKE	502-242-000
22	90102666	PANEL KICK 0	098-484-000
23	90195837	PANEL REAR HEAT SHIELD	030-508-000
24	90102575	SPACER TOP 0C	034-610-000
25	90102591	SPACER SIDE ROC	034-611-000
26	90102617	SPACER SIDE LOC	034-603-000
27	90147471	CLIP WALL SPACER	504-018-000
31	90168337	RUBBER BKT ASSY	537-681-000
32	90168329	BASE RUBBER 551	015-180-000
33		CORD GASKET B	580-149-000
34		CORD GASKET A	580-148-000
37		REAR PANEL PACKING	580-838-000
38	90102666	PANEL KICK 0	098-484-000
39	90180324	KEY & LOCK	066-812-000
40	90182544	KEY ONLY	066-835-000
100	90199826	HEAT EXCHANGER ASSY C	314-450-000
101		HEAT EXCHANGER BRACKET	512-421-000
102		CHAMBER BRACKET	537-673-000
103		OVERHEAT SWITCH FIXING PL	537-404-000
106		FLANGE	190-197-000
107		SEAL PLATE ASSEMBLY	526-113-000
108		ELECTRODE RETAINER	506-026-000
109	90142803	FLAME ROD	230-017-000
110	90173113	GASKET FLAME ROD	580-175-000
111	90192932	BURNER BOX	527-178-000
112	90170630	BURNER ASSY	157-063-LPG
113	90192934	BURNER SUPPORT REAR	538-061-000
114	90175662	GASKET BURNER BOX	580-641-000
115	90192936	FIXING PLATE BURNER BOX	537-0767000
118		FIXING PLATE GASKET B	580-0515000
119	90178542	INJ MANIFOLD	101-355-000
121	90175688	GASKET INJ MANIFOLD	580-335-000
122		ELECTRODE RETAINER	506-145-000
123	90175696	ELECTRODE	202-132-000
124	90173105	GASKET ELECTRODE	580-176-000

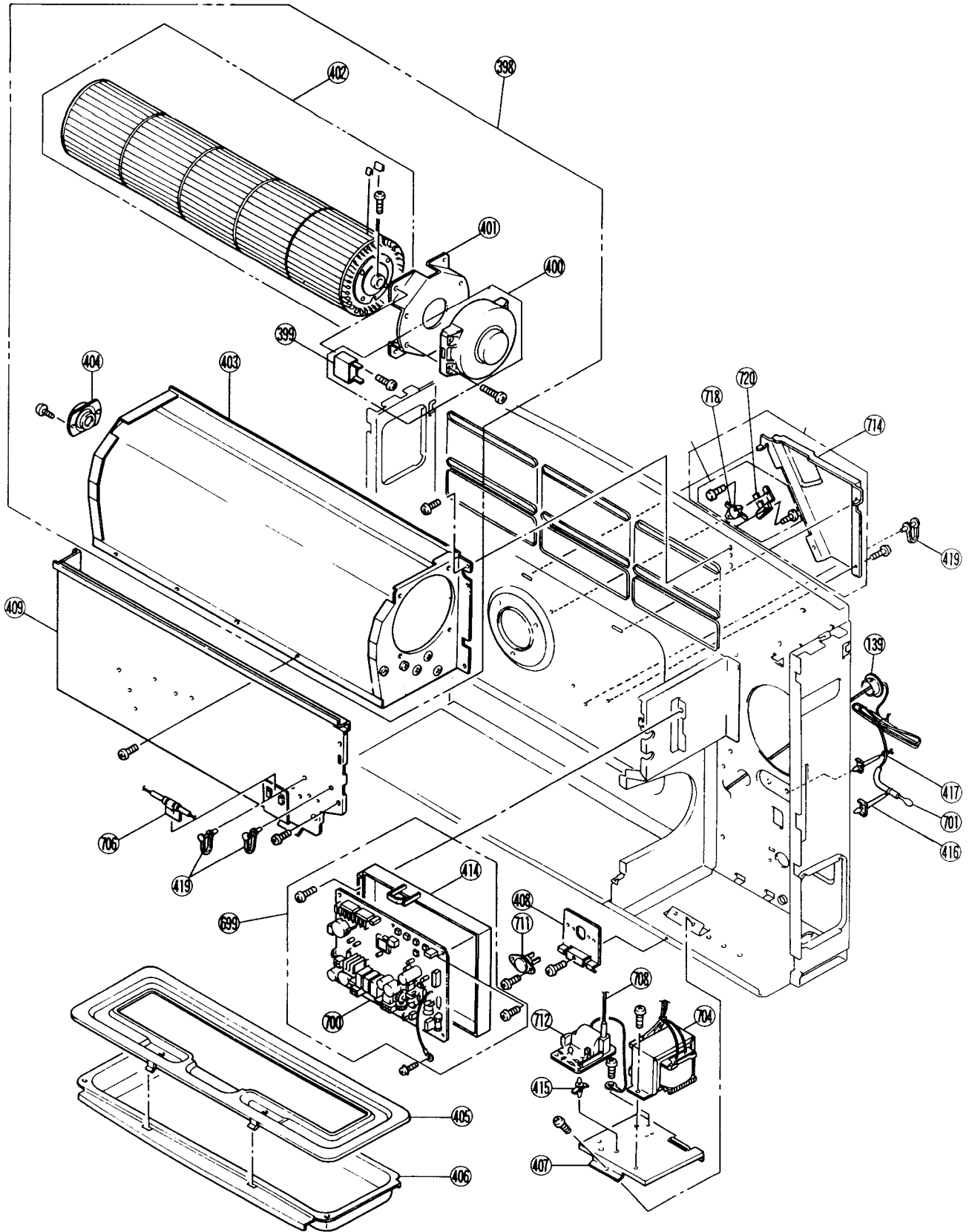
556FDT - WHITE

No.	RA Item	Description	11 Digit Code
125	90183682	GAS CONTROL	114-358-000
126	90195157	SCREW TEST POINT	501-275-005
127	90195165	O RING (S4) TEST POINT	520-300-010
128		CONNECTING TUBE ASSEMBLY	102-840-000
129		INLET TUBE O RING	520-024-010
130		PRESSURE POINT	135-014-000
131	90176611	O RING (S14)	520-325-000
132	90176637	GASKET	510-519-000
133	90182692	FILTER GAS	017-287-000
134	90165515	FLANGE GAS INLET	106-301-000
135	90165549	OUTLET GAS	106-504-000
136	90123043	HOUSING	094-010-000
137	90123050	SEAL INLET HOUSING	510-506-000
138		PROTECTOR	008-110-000
139		BUSH	194-119-000
140	90196592	HOSE INLET AIR	513-206-000
141	90122953	ELBOW AIR INLET RUBBER	191-051-000
142	90175720	TUBE CONN COMB CHAMB	322-141-000
143		CONNECTING TUBE RETAINER	538-062-000
144		COMBUSTION FAN CASING A A	019-0820000
145		COMBUSTION FAN MOTOR	222-409-000
147		COMB FAN COVER	035-0078000
148		COMB FAN PACKING	580-839-000
149	90165457	BLADE FAN COMB	040-260-000
150		S SCREW (MOTOR)	501-303-000
151	90183195	CUSHION	540-051-000
152	90158783	ELBOW FLUE	554-080-000
153	90196528	ORING EXHAUST	520-160-000
154	90122920	O RING 34mm FLUE EXTENS SLIDE	520-142-005
155	90158791	TUBE SLIDE B	554-154-000
156	90165382	COVER OUTLET FLUE	034-457-000
157	90165374	CLIP INSTALLATION	552-075-000
158		STANDARD WALL TOP	055-553-000
158		LONG WALL TOP (B FIUE)	055-626-000
160	USE 90170341	CLIP HOSE 556 USE 90170341	538-065-000
161	90175738	FAN COMB	040-214-000
162	90165358	FLUE LOCK CLAMP	512-327-000
163	90165366	FLUE LOCK STOPPER	512-326-000
398	90175746	FAN CONV	040-262-000
399	90179490	CAPACITOR CONV FAN 3UF	225-111-000
400		CONVECTION FAN MOTOR	222-603-000
402		CONVECTION FAN	040-173-000
404		METAL	067-031-000
405	90187519	HUMIDIFIER LID	035-761-000
406	90175753	TRAY HUMIDIFIER	078-016-000
408		OHS 2 FIXING BRACKET	537-401-000
409		INSULATING PLATE ASSEMBLY	030-781-000
414		ELECTRONICS UNIT BRACKET	537-689-000
415		CIRCUIT BOARD SPACER	550-129-000
416		CABLE CLIP (0248)	504-024-000

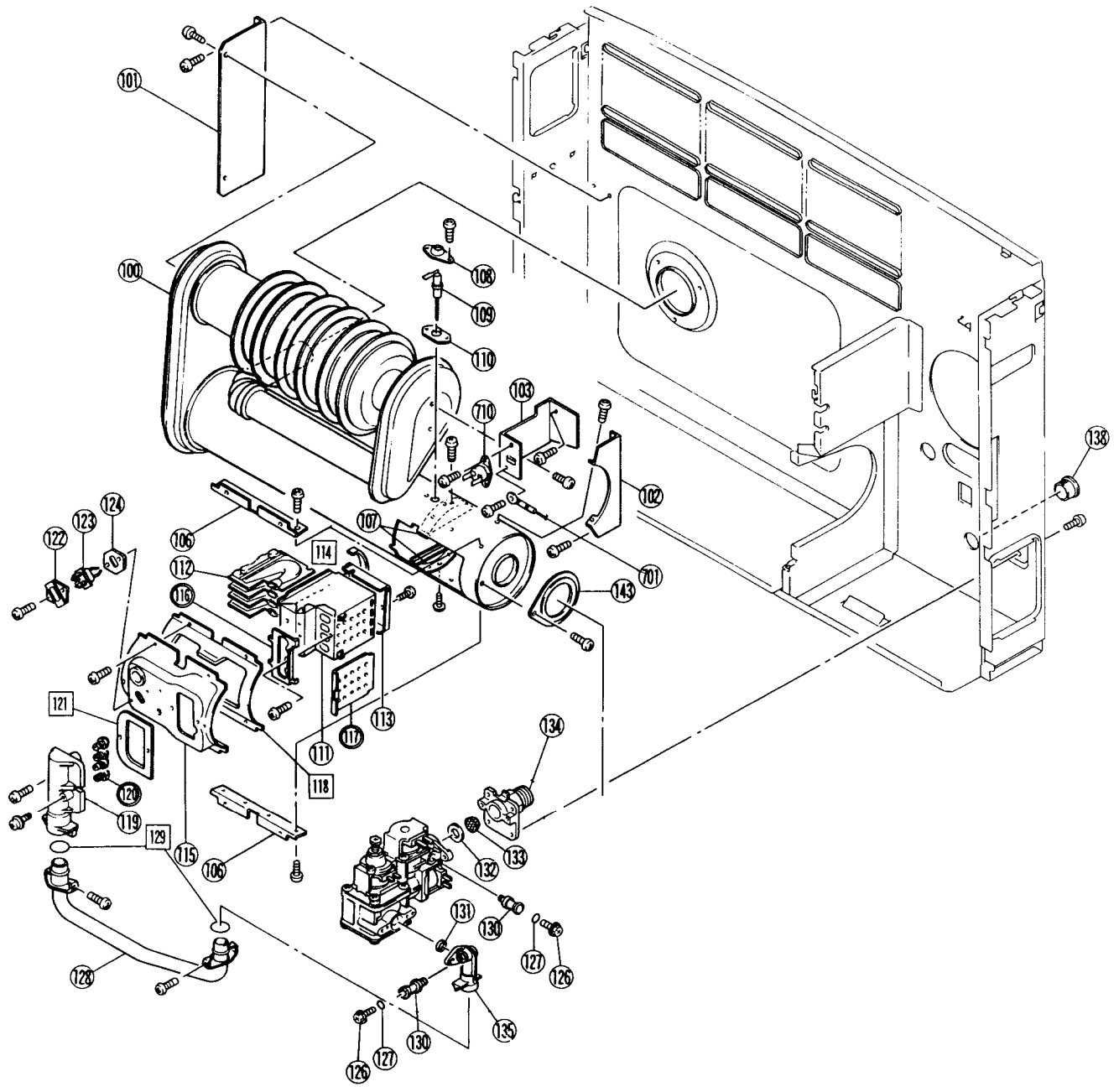
556FDT - WHITE

No.	RA Item	Description	11 Digit Code
418		WIRE CLIP	512-221-000
419		SPEED CLAMP	514-019-000
699	90186065	PCB MAIN	200-889-000
701	90175787	THERMISTOR ASSY	233-117-000
703	90185786	ELEC CORD ASSY	206-180-000
704	90117011	TRANS MAIN	224-257-000
705		MV HARNESS	204-945-000
706	90193855	HARNESS THERMAL FUSE	290-747-000
708	90175803	LEAD HIGH TENSION ASSY	203-213-000
709		OVER HEAT SWITCH	234-509-000
710	90196546	OHS	234-416-000
711	90178575	OHS 90C	234-506-000
712	90175829	SPARKER	262-028-000
713		ELECTRODE SLEEVE	513-109-000
714	90180308	COVER THERMAL FUSE	098-468-000
715	90196558	LEAD FLAME ROD	209-326-000
716		MOTOR HARNESS A	290-069-000
717		CONVECTION FAN MOTOR GROU	231-022-000
719		OVER HEAT SWITCH HARNESS	290-768-000
800		MAGNET	228-011-000
801	90103391	PANEL FRONT 0	019-954-000
802	90187527	LID CONTROL 0	035-0044000
803	90180357	HINGE & CIRCLIP DOOR	512-376-000
804	90185554	HINGE PIN CIRCLIP	501-387-000
805	90197399	MOULD PANEL CONTROL F0	098-2554000
808	90197397	MOULD PANEL CONTROL L0	019-863-000
813	90197757	HARNESS LAMP	200-480-000
814	90181694	PCB CONTROL ASSY 0C	200-724-000
819		REAR PANEL C ASSEMBLY	004-520-000
823	90176017	WARNING LABEL ELECTRIC	602-236-000
824		LABEL (NG)	602-579-000
824		LPG STICKER	602-701-000
825	90173121	WARNING LABEL	602-707-000
826		SAVE-ENERGY LABEL	602-708-000
827	90175993	WARNING LABEL	602-235-000
829		PACKING ASSY FOR OUTDOOR	510-0003000
830		UPPER INDICATION LABEL	602-709-000
999		FRONT DECORATION F-2	019-0888000
999		BACK COVER FIXING PLATE	537-672-000
999		CLIP	504K018-000

<RHFE-556FDT>



<RHFE-556FDT>



〈RHFE-556FDT〉

