

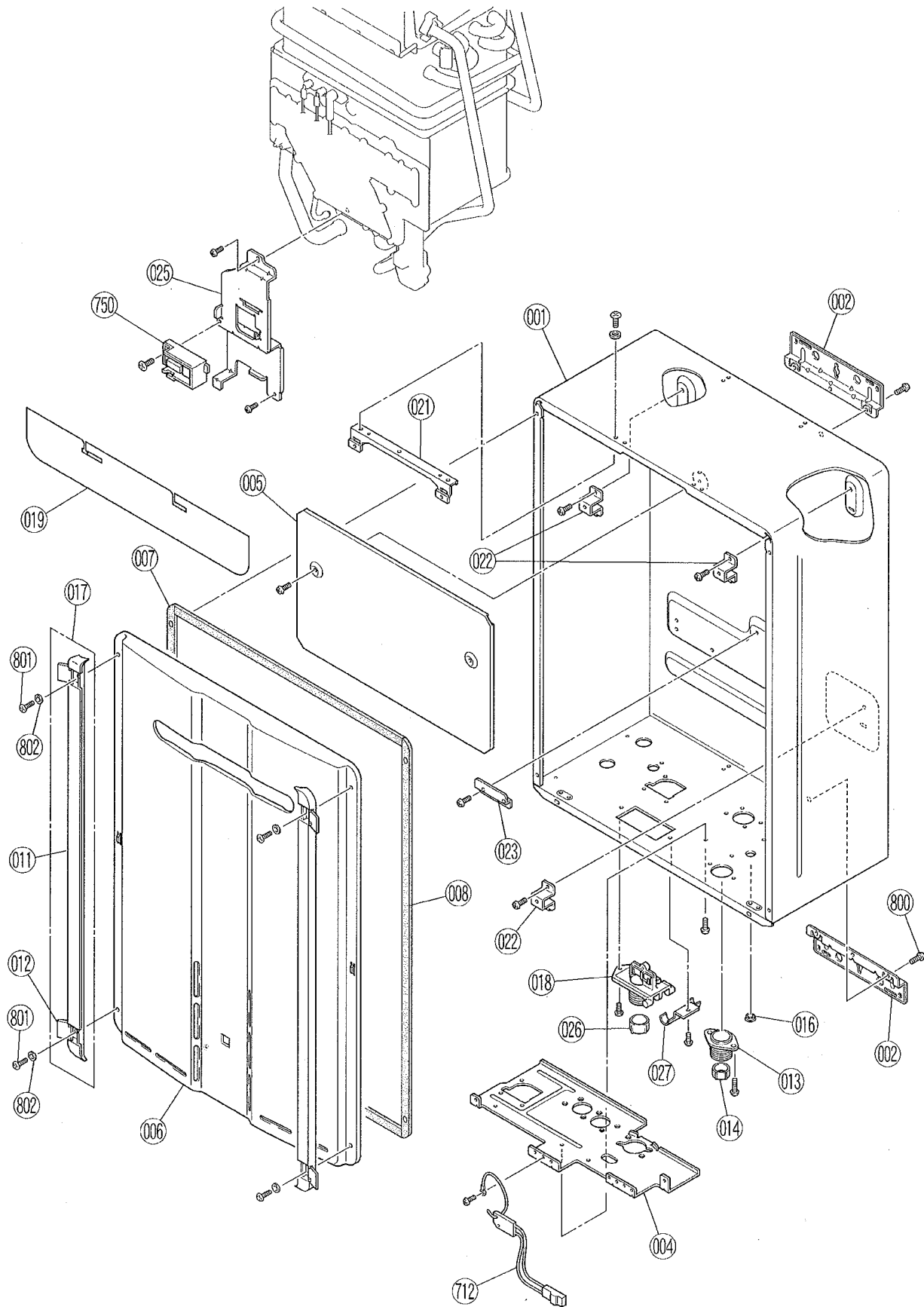
INFINITY 32 ENVIRO (REU-KM3237WD-AK)			23-0210	
NO	PART NAME	RA PART NO.	RJ 11 DIGIT CODE	QUANTITY REQUIRED
001	OUTER CASE	92098933	014-501-000	1
002	BRKT WALL	92093377	106-329-000	2
004	Connection Reinforcement Panel		044-182-000	1
005	Heat Protection Plate		030-941-000	1
006	PANEL FRONT	92098921	019-4323000	1
007	Gasket-Top and Bottom		580-0632000	2
008	Gasket-Side		580-0633000	2
011	Screw Cover		098-2927000	2
012	Screw Cover Rid		035-1795000	4
013	INF20 CABLE ENTRY (NEW)	92073352	106-104-000	1
014	SEAL HARNESS EASY CONN	92099984	580-0105000	1
016	Packing		510-893-000	1
017	BRACE PANEL FRONT	92098929	019-4197000	2
018	HARNESS EASY CONNECT	92098905	106-665-000	1
019	Cover		098-2985000	1
021	Reinforcement Bracket		044-183-000	1
022	Attachment Bracket		517-499-000	3
023	Reinforcement Bracket		044-151-000	1
025	Status Monitor Bracket		537-0881000	1
026	Cable Seal Packing		580-306-000	1
027	CLIP SUPPORT	92095896	538-840-000	1
100	GAS CONTROL ASSY	92098901	114-528-000	1
101	SCREW TEST POINT	92099956	501-275-005	2
102	INLET GAS 3/4	92081587	106-290-000	1
103	BURNER ASSY LPG	92099932	000-160-000	1
103	BURNER ASSY NG	92098941	000-173-000	1
104	Burner Case Front Panel		098-985-000	1
105	Burner Case Bottom Panel		004-564-000	1
106	Packing		580-573-000	1
107	Burner Low Nox Bunsen Assy		157-090-000	22
108	Burner Case Rear Panel		098-986-000	1
109	DAMPER LP	92099936	140-788-000	1
109	DAMPER NG	92098998	140-803-000	1
110	MANIFOLD NG	92098909	101-773-000	1
110	MANIFOLD LP	92098907	101-774-000	1
111	Combustion Chamber Packing Upper		092-046-000	1

112	Combustion Chamber Packing Lower		092-047-000	1
114	Combustion Chamber FrontPanel Assy		019-4198000	1
116	ELECTRODE 92086974		202-156-000	1
117	FLAME ROD	92098996	202-233-000	2
118	GASKET ELECTRODE	92098908	580-0635000	1
119	Electrode Holder		580-0636000	1
120	Combustion Chamber Packing		580-0637000	1
125	FAN COMB ASSY	92098984	222-663-000	1
126	FAN CASING	92098862	035-867-000	1
127	Fan Connecting		106-649-000	1
128	GASKET FAN	92099942	580-580-000	1
129	Fan Motor Assembly		222-643-000	1
135	EXHAUST FLUE	92098915	055-995-000	1
137	Flue Outlet Packing		580-0643000	1
138	Seal Packing		580-835-000	1
143	HEAT EXCHANGER	92098930	314-801-000	1
152	Reinforcement Bracket		538-0597000	1
160	HEAT EXCHANGER SECONDARY	92098926	314-805-000	1
166	Combustion Chamber Bracket		537-0883000	1
400	INLET WATER 3/4	92095901	333-483-000	1
401	WATER FLOW SENSOR	92098932	301-199-000	1
402	RECTIFIER WATER	92093552	330-107-000	1
403	BYPASS SERVO ASSY	92087072	301-158-000	1
404	Stop Bracket		512-401-000	2
405	Plug Band		553-119-000	1
408	OUTLET WATER 3/4" NPT	92098914	333-500-000	1
409	Stop Bracket		512-406-000	1
410	Plug Band (small)		553-181-000	1
411	VALVE PRESS RELIEF	92099944	337-152-000	1
412	FILTER WATER 0 LARGE	92083773	196-062-000	1
413	Cover		098-2780000	1
421	Drain Connection		333-493-000	1
422	VALVE DRAIN	92097120	337-034-000	1
423	Clip		512-550-000	2
424	Connecting Pipe		332-0200000	1
426	Packing		580-0641000	1
431	Connecting pipe-Inlet		332-0231000	1
432	Connecting pipe-HEX		332-0202000	1
433	CLIP HOSE/PIPE	92092485	512-249-000	2
434	Clip		512-552-000	1
440	Condensate Trap		341-370-000	1

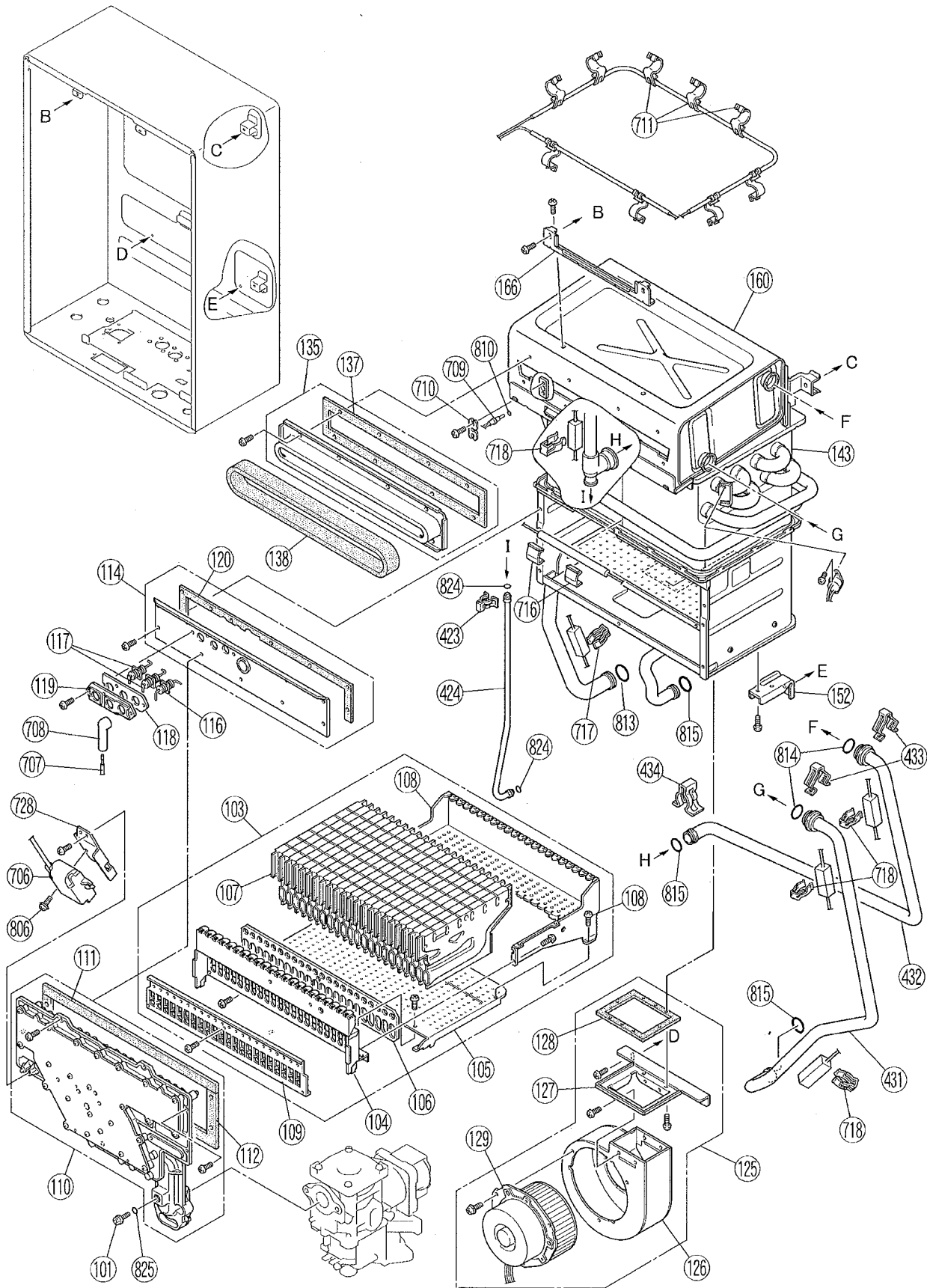
441	Packing		580-0642000	2
442	Condensate Trap Plug		341-369-000	1
443	Condensate Drain Tube		513-0051000	1
444	Band		553-130-000	1
445	Band		553-158-000	1
446	Screw		501-0232000	2
447	HARNES CONDENSATE	92098962	290-1795000	1
448	Cover		098-2986000	1
700	PCB MAIN	92098992	210-0046000	1
701	SURGE ARRESTOR	92093699	210-605-000	1
702	PC Board Cover Side		098-2929000	1
703	PC Board Cover Front		098-1869000	1
704	Clip		504-021-000	1
706	SPARKER 92095026		261-157-000	1
707	LEAD HT	92092253	203-828-000	1
708	SLEEVE ELECTRODE	92087030	518-035-000	1
709	THERMISTOR	92095030	233-246-000	1
710	BRKT THERMISTOR	92086388	508-836-000	1
711	Thermistor Fuse Clip		553-056-000	9
712	SWITCH THERMAL	92097187	234-444-000	1
713	HEATER A-FROST	92098972	235-404-000	1
715	HARNES HEATER ASSY	92098978	235-397-000	1
716	BRKT HEATER	92093301	538-493-000	2
717	Anti Front Heater Clip A		537-215-000	1
718	BRKT HEATER B	92096225	537-0440000	1
720	ELEC CORD	92089051	206-226-000	1
721	HARNES FUSE	92098954	290-1930000	1
722	HARNES POWER	92098952	290-1931000	1
724	HARNES MAIN PCB	92098944	290-1941000	1
725	FUSE THERMAL	92098946	290-1940000	1
726	HARNES SPARKER	92095039	290-1398000	1
727	SENSOR MR	92099988	243-133-000	1
728	Ignitor Attachment Plate		537-0884000	1
729	HARNES REMOTE CONTROL	92099961	290-1288000	1
730	HARNES TWIN THERMIST	92099234	233-278-000	1
731	HARNES SOLENOID	92098960	290-1863000	1
733	HARNES GAS CONTROL	92098958	290-1865000	1
734	HARNES FAN	92098966	290-1447000	1
744	HARNES HEATER	92098980	235-380-000	1
750	RELAY	92095032	210-810-000	1
800	Screw		501-865-000	5

801	Screw		501-0234000	4
802	Washer		503-210-000	4
803	Screw		501-0235000	3
804	Screw		501-295-000	1
805	Screw		501-0093000	3
806	Screw		501-737-000	1
807	Washer		503-268-000	2
810	O RING THERMISTOR	92062249	520-209-010	2
813	O RING IN/OUT WATER	92071182	520-049-010	3
814	O RING HEAT EXCH	92062199	520-048-010	3
815	O RING HEAT EXCH	92062207	520-193-010	4
816	O RING	92062348	520-281-010	1
817	O-ring		520-043-010.	1
818	Packing		580-157-000	1
819	Screw		501-395-000	2
820	Screw		501-799-000	4
821	Screw		511-119-000	2
822	Screw		501-403-000	3
823	O RING BYPASS	92071455	520-194-010	1
824	O RING WATER 6MM	92043223	520-074-010	2
825	O RING (S4) TEST POINT	90195165	520-300-010	2

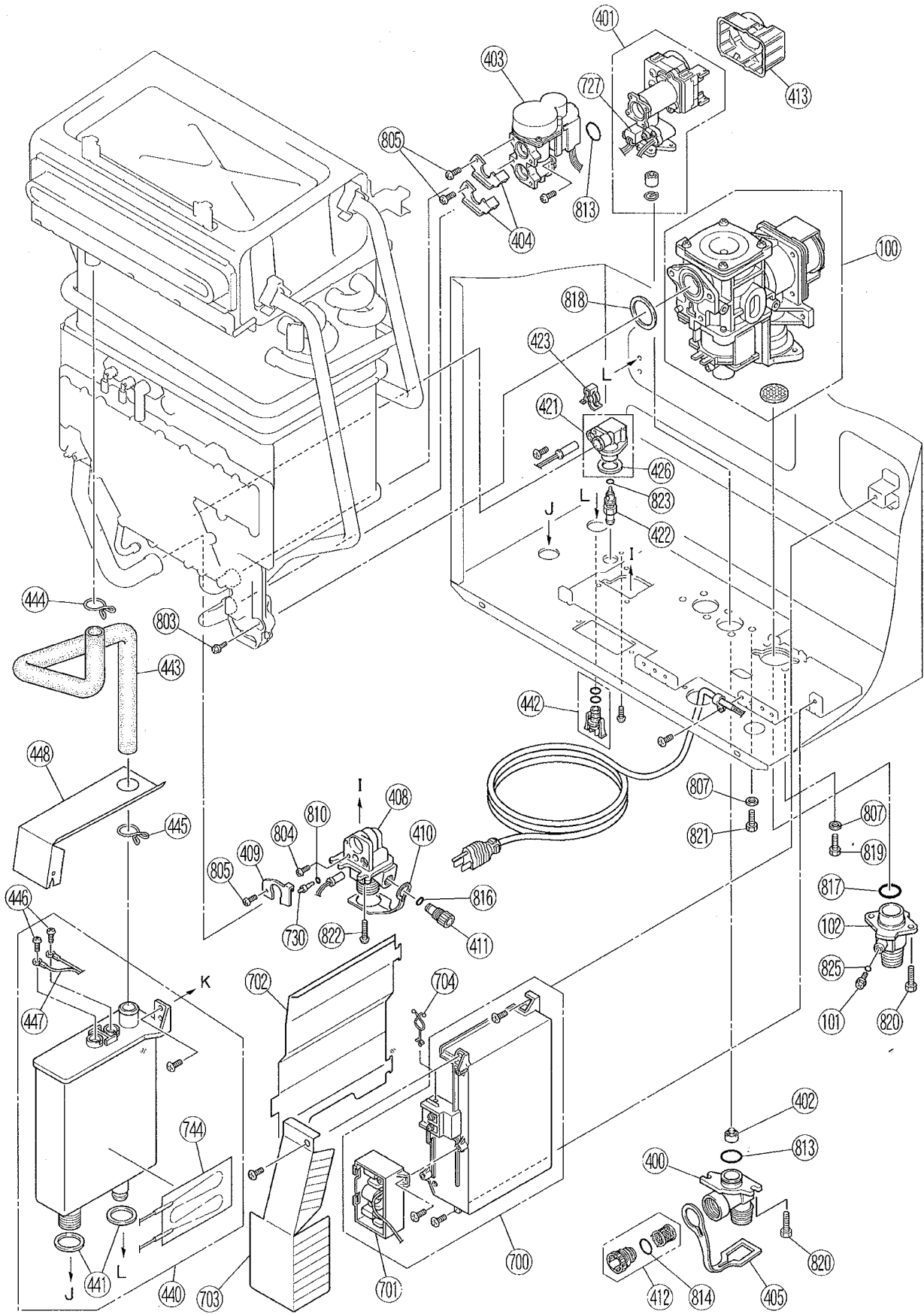
REU-KM3237WD-AK/-ZK/-E
REU-KM3237WDHD-E



REU-KM3237WD-AK/-ZK/-E
REU-KM3237WDHD-E



REU-KM3237WD-AK/-ZK/-E
REU-KM3237WDHD-E



REU-KM3237WD-AK/-ZK/-E
REU-KM3237WDHD-E

