

REU-VM2630WC-AK (HD200e)

NO	Part Name	RA Part No.	11 Digit Code	Qty
000	Main Body (Outer Case)	92092054	014-447-000	1
002	Panel Front	92099983	580-0039000	3
010	Wall Hang Bracket		106-329-000	2
011	Seal Packing		510-893-000	1
012	Rubber Bush C		194-140-000	1
013	Harness Easy Conn	92099955	106-651-000	1
014	Cable Seal Packing	92099984	580-0105000	1
015	Connection Reinforcement Panel		044-156-000	1
100	Inlet Gas 3/4"	92081587	106-290-000	1
101	Screw Test Point	92099956	501-275-005	2
102	Gas Control	92095018	120-0015000	1
103	Manifold Assembly LP	92095019	101-619-000	1
103	Manifold Assembly NG	92095020	101-703-000	1
104	Manifold Packing -Top		580-0140000	1
105	Manifold Packing -Under		580-0141000	1
106	Burner Case Front		098-0821000	1
107	Packing		580-597-000	1
108	Dumper A		140-608-000	1
109	Lean & Rich Bunsen Burner		157-083-000	22
	Burner Assembly		157-139-000	1
110	Burner Case Rear		098-412-000	1
111	Combustion Chamber Front		019-721-000	1
112	Combustion Chamber Packing Top		580-598-000	1
113	Electrode	92086974	202-156-000	1
114	Electrode FR	92093640	230-057-000	1
115	Packing Electrode RH	92086990	580-507-000	1
116	Electrode Holder RH	92087006	580-505-000	1
117	Sleeve Electrode	92087030	518-035-000	1
120	Heat Exchanger Assembly	92095021	314-700-000	1
121	Fixing Bracket		537-654-000	2
130	Exhaust Flue	92099976	055-858-000	1
131	Flue Outlet Packing		580-599-000	1
132	Main Body Seal Packing -J		580-601-000	1
150	Fan Motor	92095022	222-534-000	1

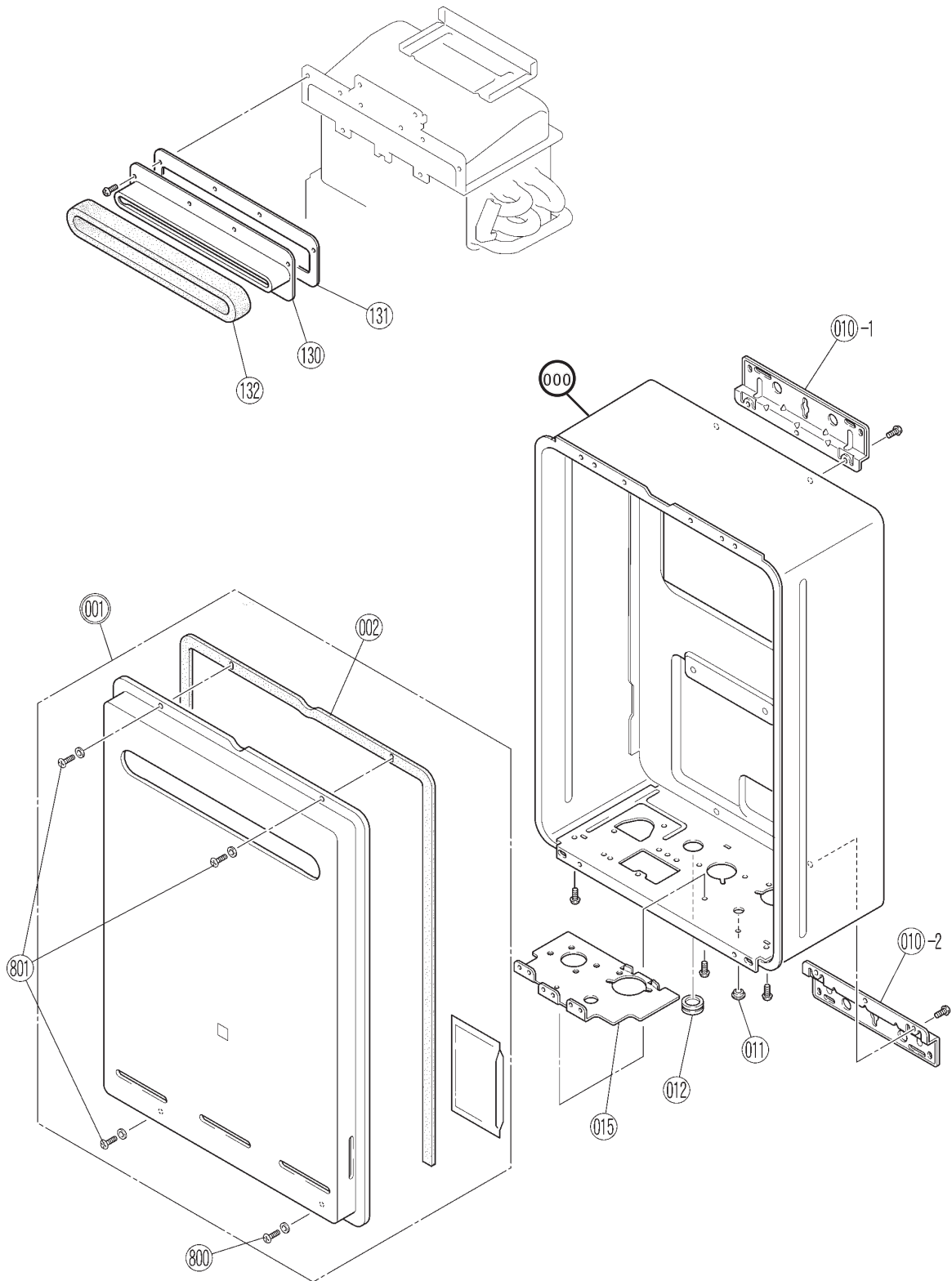
REU-VM2630WC-AK (HD200e)

NO	Part Name	RA Part No.	11 Digit Code	Qty
151	Fan Casing	92098862	035-867-000	1
	Fan Comb Assembly		222-613-000	1
400	Inlet Water 3/4"	92099968	333-301-NPB	1
401	Plug Band		553-119-000	1
402	Water O Large	92083773	196-062-000	1
404	Rectifier		330-107-000	1
405	Water Flow Sensor	92095023	301-149-000	1
406	Water Flow Servo Cover		098-1445000	1
407	By-pass Servo Assembly	92095024	301-151-000	1
408	Outlet Water 3/4"	92099982	333-306-000	1
409	Plug Band		553-043-000	1
410	Valve Pressure Relief	92081751	337-048-000	1
700	PCB Main	92095025	200-0417000	1
701	EC Cover -2-A		098-1853000	1
702	Electric Unit Cover		098-0627000	1
703	Sparker	92095026	261-157-000	1
704	Lead HT	92092253	203-828-000	1
705	Ignitor Fixing Plate		537-0617000	1
706	Surge Arrestor	92093699	210-605-000	1
707	Sub Circuit Board Cover		098-1855000	1
708	Fixing Plate		537-0618000	1
709	Elec Cord	92089051	206-226-000	1
710	Fuse harness	92099959	290-1284000	1
711	Heater Anti Frost	92098318	213-001-000	1
712	Switch Thermal	92097187	234-444-000	1
713	Heater Fixing Plate		537-0440000	2
714	Heater Fixing Plate A		537-155-000	2
715	Harness Power	92095027	290-1285000	1
716	Harness Magnet	92095028	290-1286000	1
717	Harness Sensor	92095029	290-1287000	1
718	Fuse Thermal	92099978	290-0678000	1
719	Temperature Fuse Fixing Plate		537-505-000	2
720	Temperature Fuse Fixing Plate		537-0110000	2
721	Sensor MR	92092279	243-072-000	1
722	Thermistor 1	92095030	233-246-000	1

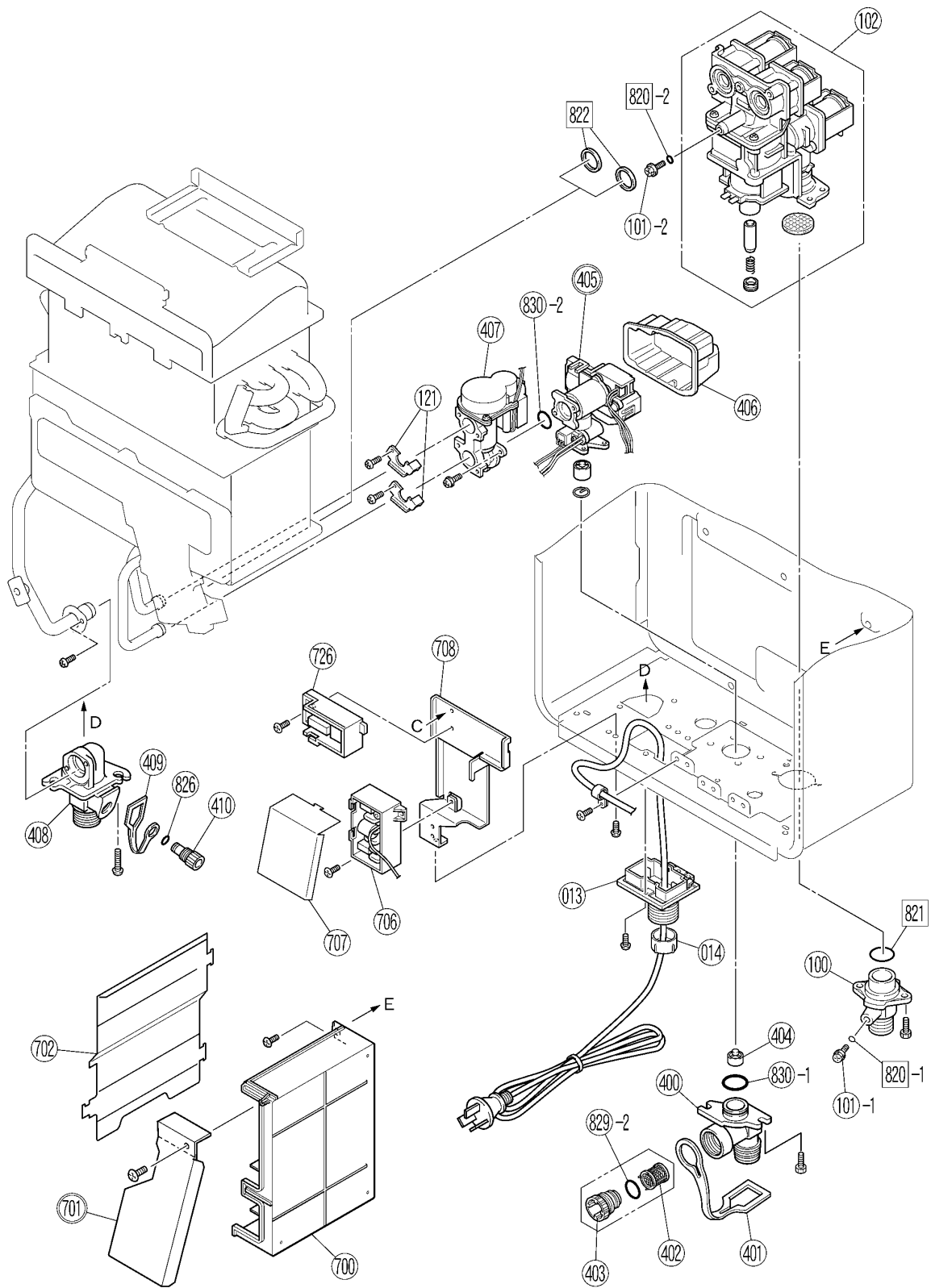
REU-VM2630WC-AK (HD200e)

NO	Part Name	RA Part No.	11 Digit Code	Qty
723	Thermistor 2	92095031	233-247-000	1
724	Bracket Flame Rod	92086388	508-836-000	2
725	Harness Remote Control	92099961	290-1288000	1
726	Relay	92095032	210-810-000	1
727	Harness Relay	92095033	290-1289000	1
800	Screw		501-889-000	1
801	Truss Screw		501-973-010	3
802	Screw		501-0064000	3
803	Tapping Screw		501-737-000	1
820	O-ring (S4)	90195165	520-300-010	2
821	O-ring Gas Conn	92072859	520-043-010	1
822	Gasket		580-180-000	2
825	O-ring Thermistor	92062249	520-209-010	2
826	O-ring	92062348	520-281-010	1
827	O-ring Heat Exchanger	92072800	520-255-010	2
829	O-ring Heat Exchanger	92062199	520-048-010	2
830	O-ring In/Out Water	92071182	520-049-010	2
888	Operation Manual		623-366-800	1
889	Establishment Manual		K23-366-800	1

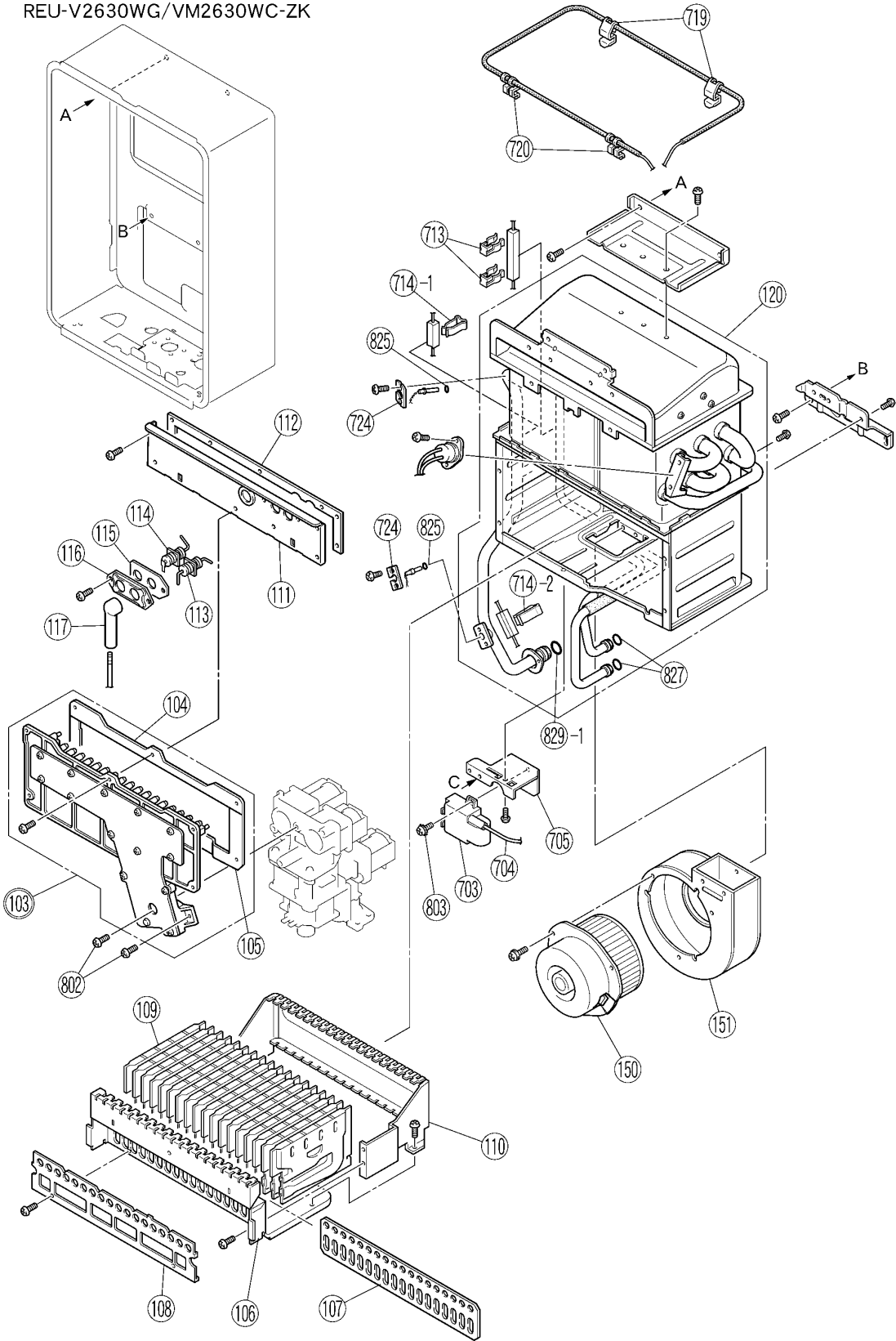
REU-VM2630WC-AK
REU-V2630WG/VM2630WC-ZK



REU-VM2630WC-AK
REU-V2630WG/VM2630WC-ZK



REU-VM2630WC-AK
REU-V2630WG/VM2630WC-ZK



REU-VM2630WC-AK
REU-V2630WG/VM2630WC-ZK

