

9B9F; MG5 J9F RHFE1004FTR

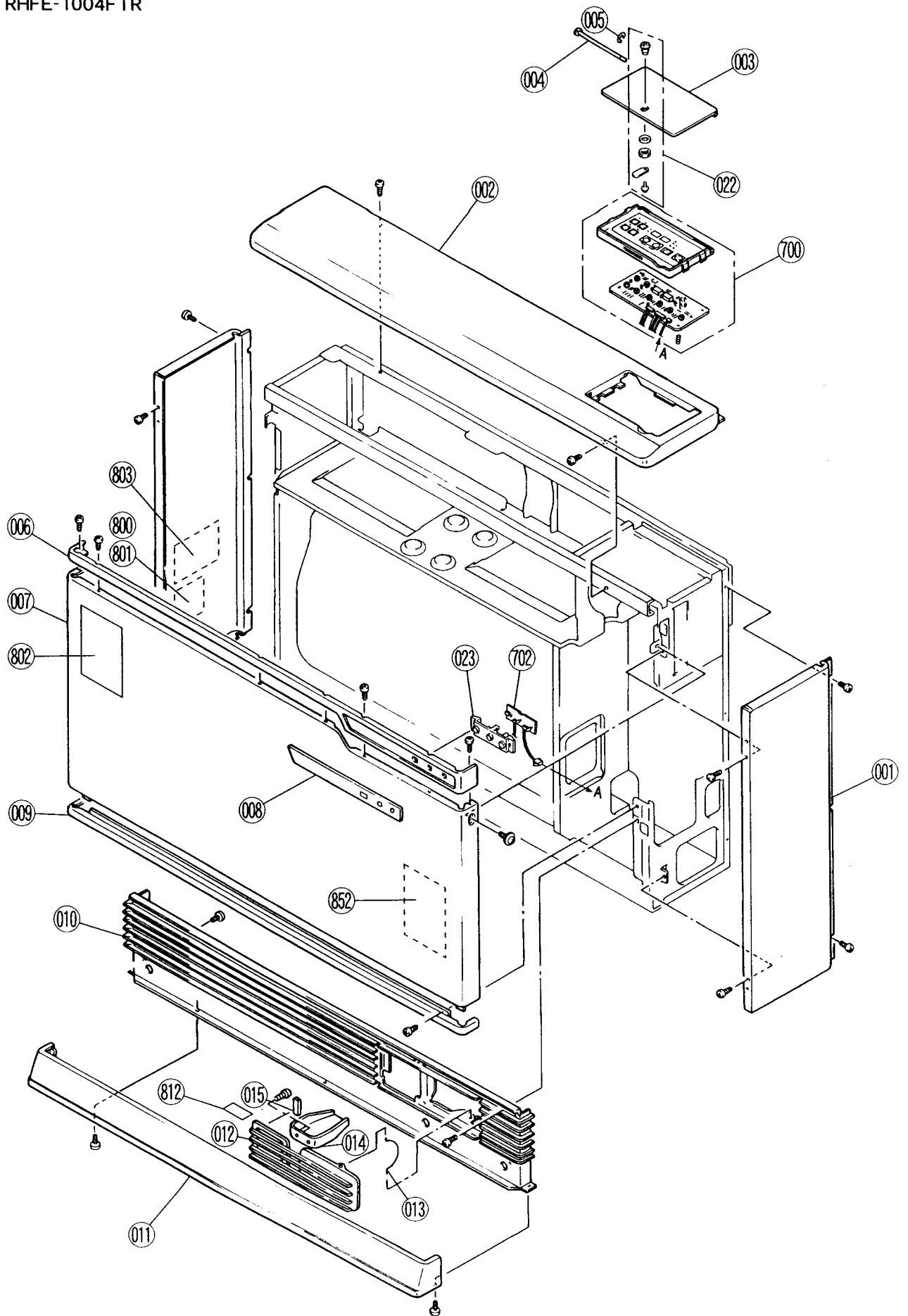
No.	Part Name	R/A Part No.	11 Digit Code
1	PANEL SIDE 0 1001	90142852	003-262-000
1	SIDE PANEL C	90185513	003-262-000
2	PANEL TOP	90185521	001-729-000
3	CONTROL LID C	90185539	035-0016000
4	HINGE PIN	90185547	528-168-000
5	FUSE TUBE	90185554	501-387-000
6	PANEL FRONT TRIM TOP	90103383	019-890-000
7	PANEL FRONT 0C 1001	90102930	019-868-000
8	INDICATION PANEL		063-366-000
9	PANEL BOTTOM TRIM FRONT	90102880	095-150-000
10	LOUVRE BOTTOM 0 1001	90102757	095-142-000
11	BOTTOM TRIM 0C 1001	90102682	518-039-000
12	WATERING LID ASSEMBLY		035-0017000
13	LOUVRE DOOR HINGES	90144296	064-039-000
14	HUMIDIFIER SPOUT RHF1001 551	90144304	517-237-000
15	FILTER MAGNET	90161803	228-003-000
16	BACK COVER L C (PAINTED)	90108218	034-631-000
16	SPACER SIDE L0C 1001	90108218	034-631-000
17	SPACER SIDE R0C 1001	90108317	034-632-000
18	SPACER WALL CLIP	90147471	504-018-000
19	SPACER TOP 0C 1001	90108192	034-630-000
20	FILTER	90185893	017-173-000
21	BACK COVER FIXING PLATE	90185901	537-552-000
21	BRACKET SUPPORT SPACER	90185901	537-552-000
22	KEY	90180324	066-812-000
22	LOCK AND KEY 556FM	90180324	066-812-000
23	LAMP HOUSE	90185588	208-156-000
24	BASE ASSY 551 1001 1004	90122797	015-124-000
25	RUBBER BRACKET ASSY	90168337	537-681-000
26	BASE SUPPORT RUBBER 551	90168329	015-180-000
100	BURNER R C		170-245-000
101	BURNER L C		170-248-000
102	SMALL BURNER C		170-246-000
103	DAMPER PANEL RHF1001	90168378	140-141-000
104	BURNER RETAINER GASKET	90195975	510-786-000
105	BURNER RETAINER L ASSEMBLY		537-805-000
106	BURNER RETAINER R ASSEMBLY		537-752-000
107	FLAME ROD RHF557 556 1001	90142803	230-017-000
108	ELECTRODE RETAINER		506-026-000
109	ELECTRODE & SENSOR	90142993	202-068-000
110	ELECTRODE CLIP BRKT	90168204	506-101-000
111	ELECTRODE SEAL PACKING	90168386	510-787-000
112	AERATION ROD 550/551/1001	90123449	068-069-000
115	BLIND PANEL L		035-511-L00
116	BLIND PANEL R		035-511-R00
117	CONNECTING TUBE C		332-585-000
118	CONNECTING TUBE B		109-145-000
119	CONNECTING TUBE A		109-144-000
120	O-RING (P-8)	90187188	520-388-000
121	CONNECTING TUBE FIXING BR		037-0002000
122	CONNECTING TUBE BRACKET		537-393-000
123	CONNECTING TUBE BRACKET		537-732-000
124	GAS CONTAROL ASSY A		120-855-000
124	GAS CONTAROL ASSY C		120-856-000
137	PRIMARY HEAT EXCHANGER B	90185851	314-412-000

ENERGYSAVER RHFE1004FTR

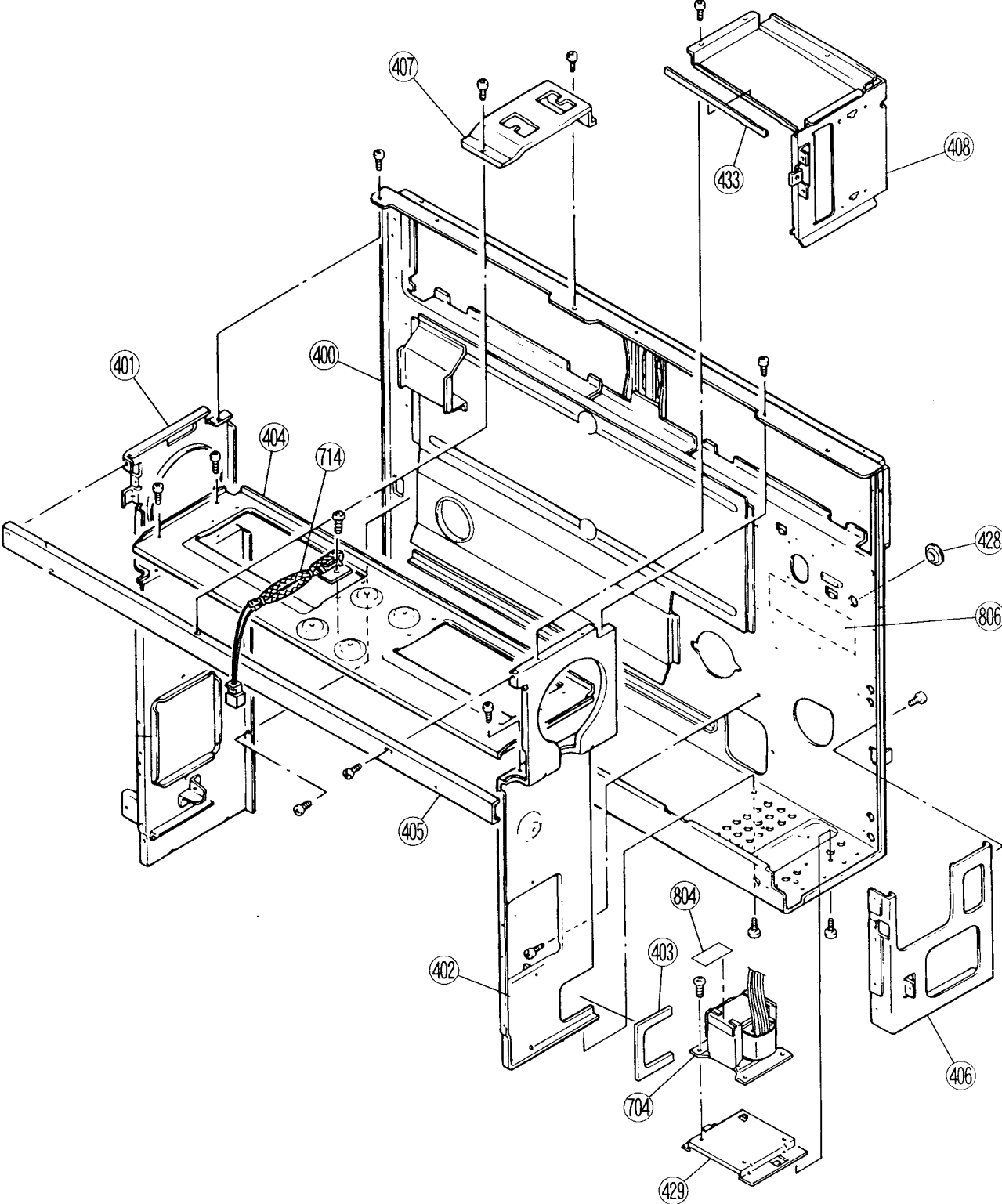
No.	Part Name	R/A Part No.	11 Digit Code
138	AIR INTAKE SEAL RHF1001	90158502	510-497-000
139	WINDOW GASKET	90185869	510-520-000
140	GLASS FOR INSPECTION WIND	90185877	061-039-000
141	GLASS RETAINER		538-231-000
142	BLANKING PANEL RHF1001	90168394	035-0089000
144	SECONDARY HEAT EXCHANGER	90185844	314-413-000
147	SECONDARY HEAT EXCHANGER		108-118-000
148	LOCK SPACER		550-066-000
152	HEAT EXCHANGER RETAINER S		518-006-000
153	O-RING		520-384-000
154	EXHAUST ELBOW RHF1001	90158395	191-113-000
155	EXHAUST SLIDE TUBE	90158361	554-110-000
157	FLUE ADAPTER 1001	90185935	561-041-000
158	EXHAUST STOPPER RHF1001	90177882	512-333-000
159	FLUE LOCKING CLAMP	90177783	512-404-000
160	SNAP STOPPER S ASSEMBLY		512-428-000
161	COVER		034-758-000
162	ELBOW COVER STOPPER		512-250-000
163	STANDARD WALL TOP		055-553-000
164	AIR INTAKE ELBOW B	90145806	191-140-000
165	AIR INTAKE HOSE RHF1001FT	90145632	513-080-000
166	AIR INTAKE	90185695	094-011-000
167	AIR INTAKE PACKING		580-725-000
170	AIR INTAKE DUCT		055-324-000
171	SEAIING GASKET		510-788-000
172	COMBUSTION FAN CASING ASS		098-0031000
173	NOISE ABSORBER FIXTURE		508-706-000
174	NOISE ABSORBER		097-002-000
177	CUSHION RUBBER RCE 560PTR	90183195	540-051-000
178	S SCREW (MOTOR)		501-303-000
180	COMBUSTION FAN ASSEMBLY	90185760	040-247-000
181	BLIND CAP		035-0090000
182	FRANGE B		190-152-000
184	GASKET 417	90170374	510-519-000
184	PACKING 151 252 506 516	90176637	510-519-000
184	PACKING	90176637	510-519-000
184	PACKING RUBBER 210 417	90149873	510-519-000
185	PRESSURE POINT SCREW	90195157	501-275-005
186	O-RING (S-4)	90195165	520-300-010
187	SCREW		501-317-000
192	BUSHING REINFORCE		194-110-000
400	REAR PANEL A ASSEMBLY		004-521-000
403	WARM AIR SEAIING GASKET		510-785-000
409	CONVECTION FAN MOTOR	90185612	222-437-000
410	FAN MOTOR BRACKET 550/551	90122847	037-659-000
411	RH C/V FAN A DRUM RHF1001	90132234	040-156-000
412	LH C/V FAN B DRUM RHF1001	90132242	040-157-000
413	FAN CASING ASSEMBLY		098-490-000
414	WARM AIR FAN BELL MOUTH		036-077-000
415	FRONT PANEL B	90195300	030-473-000
417	BLANK WINDOW PANEL		035-509-000
418	INSULATION SHEETING 1001	90142563	251-021-000
419	OVERHEAT SWITCH WIND SHIE		039-124-000
420	ELECTRODE BLIND PANEL		035-510-000
421	ELECTRODE COVER		034-756-000

ENERGYSAVER RHFE1004FTR

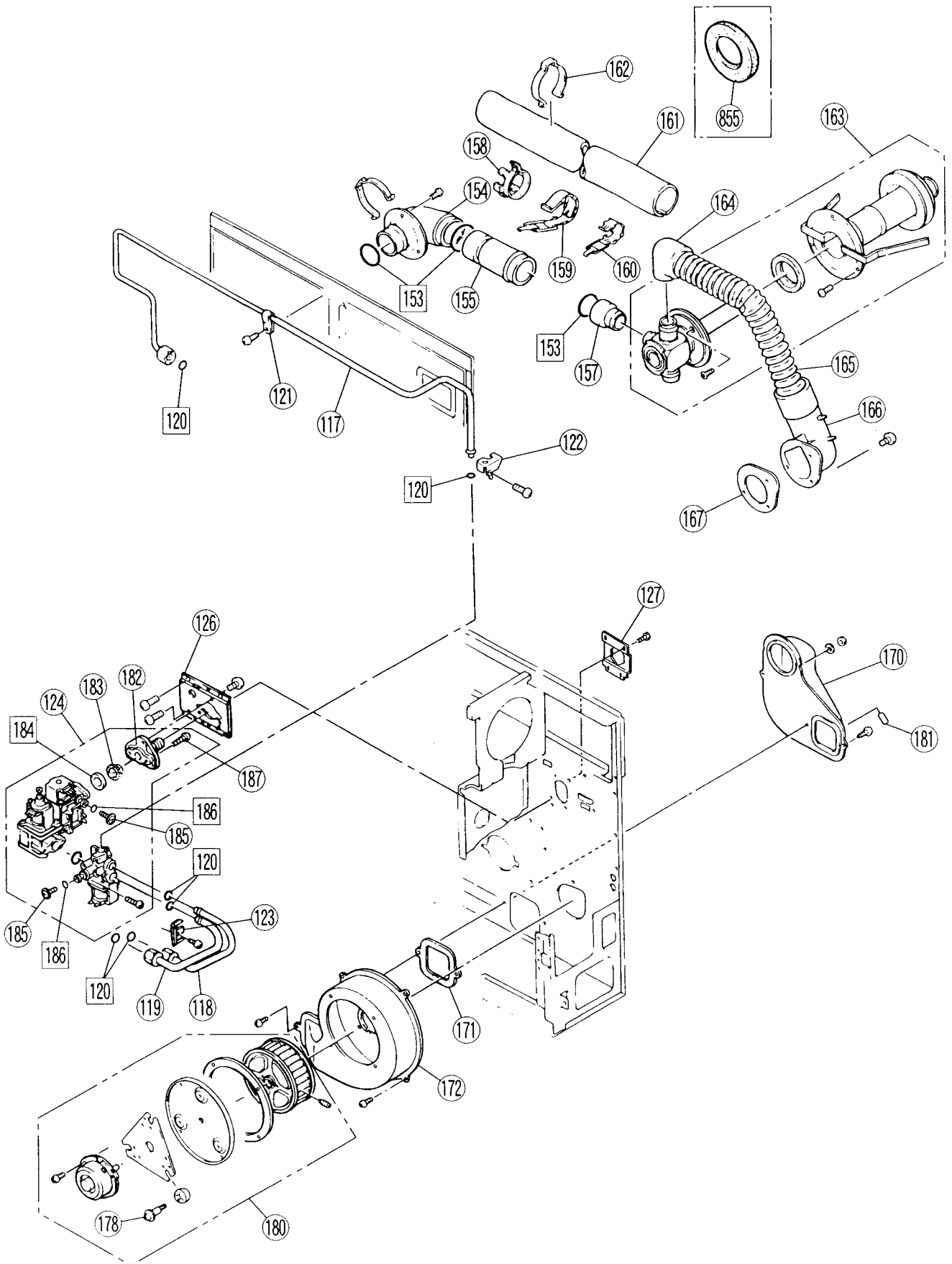
No.	Part Name	R/A Part No.	11 Digit Code
423	OHS 1004	90185646	234-520-000
424	WATER LEVEL INDICATOR	90170036	065-044-000
425	WATER LEVEL LABEL B		602-654-000
426	HUMIDIFIER TRAY RHFE1001	90145566	078-011-000
428	SEALING CAP		035-0091000
430	CIRCUIT BOARD SPACER		550-129-000
432	POWER CORD FIXING BRKT	90177114	538-180-000
435	CONTROL FTR ASSEMBLY	90185604	200-793-000
700	LAMP UNIT ASSEMBLY	90185596	200-801-000
702	LAMP UNIT ASSEMBLY		200-865-000
703	SPARKER UNIT RHFE556 557	90175829	262-028-000
704	POWER TRANSFORMER	90185778	224-270-000
705	ELECTRONICS UNIT ASSEMBLY	90185653	200-800-000
707	POWER CORD ASSEMBLY	90185786	206-177-000
708	MOTOR HARNESS B ASSEMBLY		290-933-000
710	FLAME ROD HARNESS		290-935-000
711	HIGH TENSION CORD C		203-786-000
712	THERMISTOR HARNESS	90185810	290-932-000
713	SV IG WIRE HARNESS		290-934-000
714	TF HARNESS	90185794	290-936-000
804	WARNING LABEL ELECTRIC	90176017	602-236-000
806	LABEL (NG)		602-579-000
806	LPG STICKER		602-701-000
807	WARNING LABEL RHFE556	90175993	602-235-000
809	REMOTE CONTROL	90187568	123-064-000
810	BOTH FACES ADHESIVE TAPE		532-005-000
810	REMOTE CONTROL CASING		098-390-000
812	"PULL" LABEL		602-658-000
854	CONTROL LID KEY		066-835-000
854	KEY ONLY 556FM	90182544	066-835-000
999	PIPE FOR HEAT EXCHANGER		544-195-000



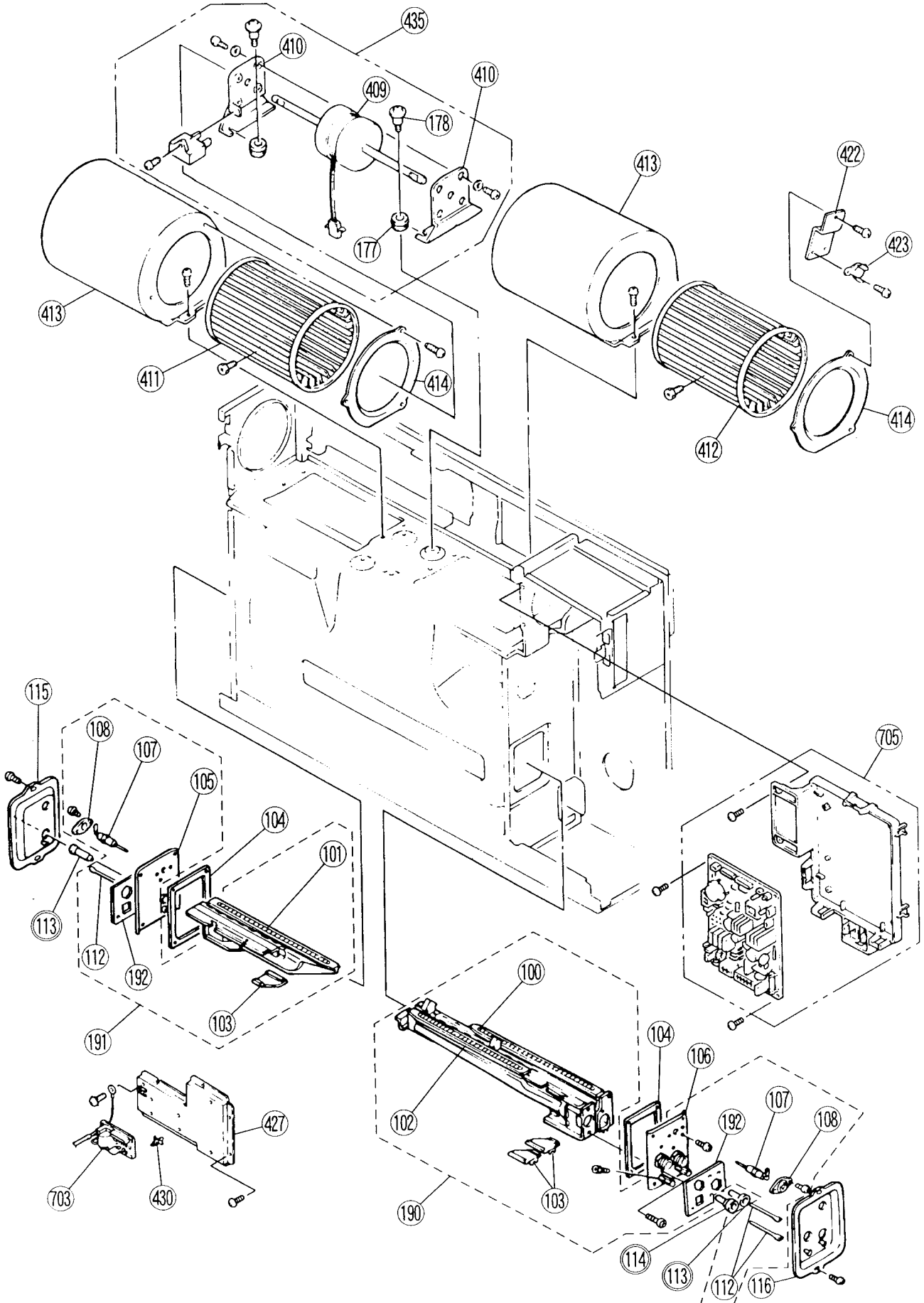
RHFE-1004FTR



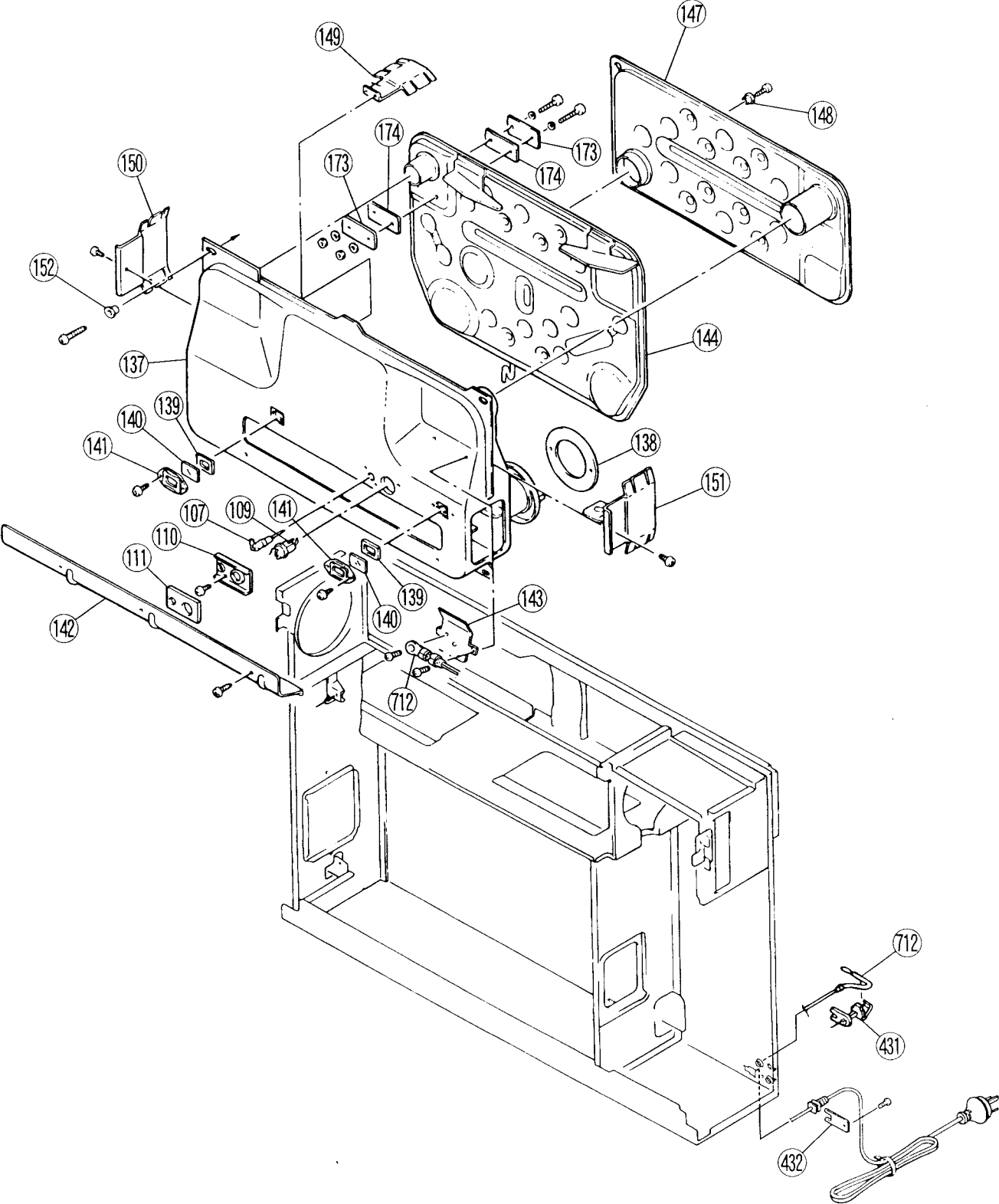
RHFE-1004FTR



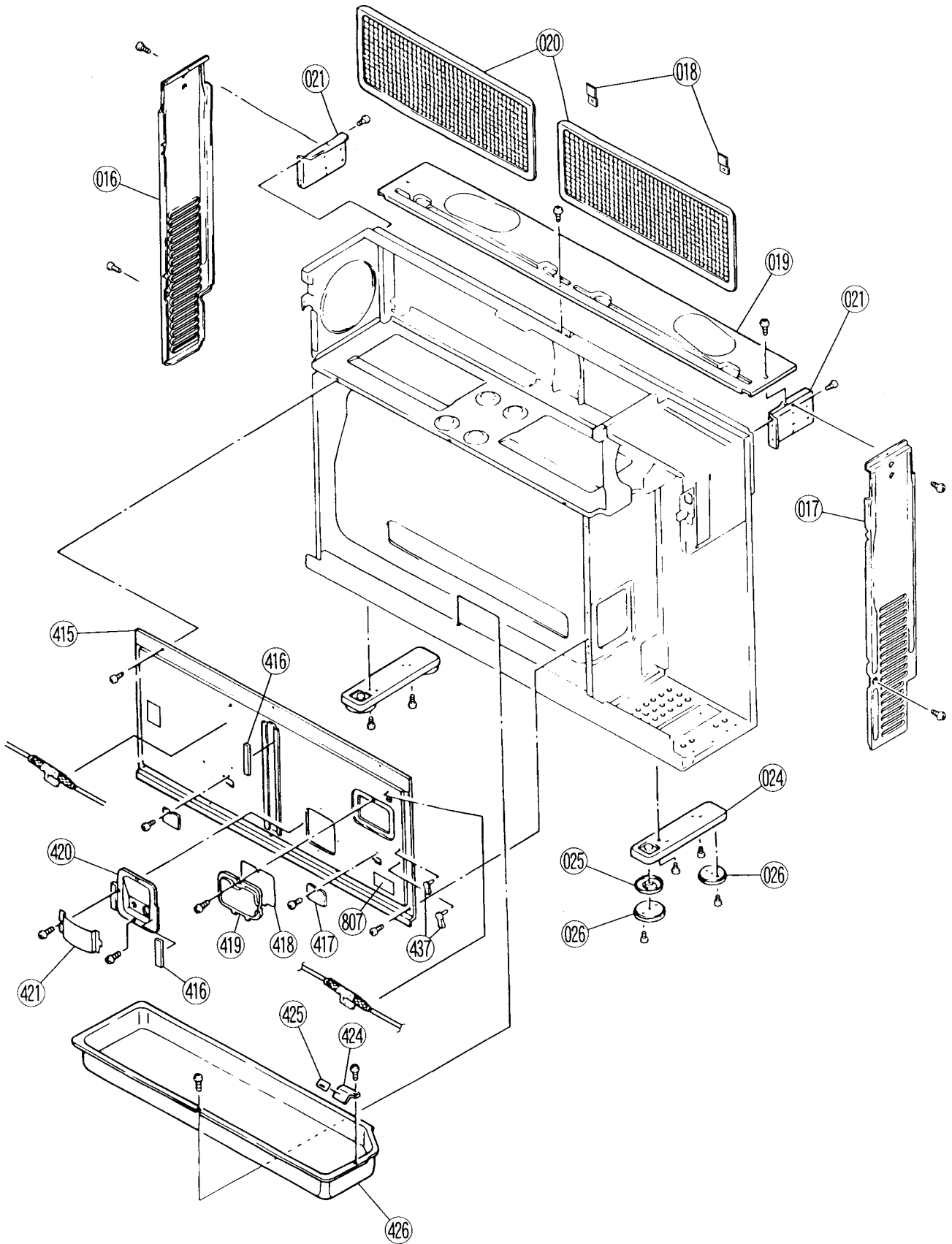
RHFE-1004FTR



RHFE-1004FTR



RHFE-1004FTR



RHFE-1004FTR

