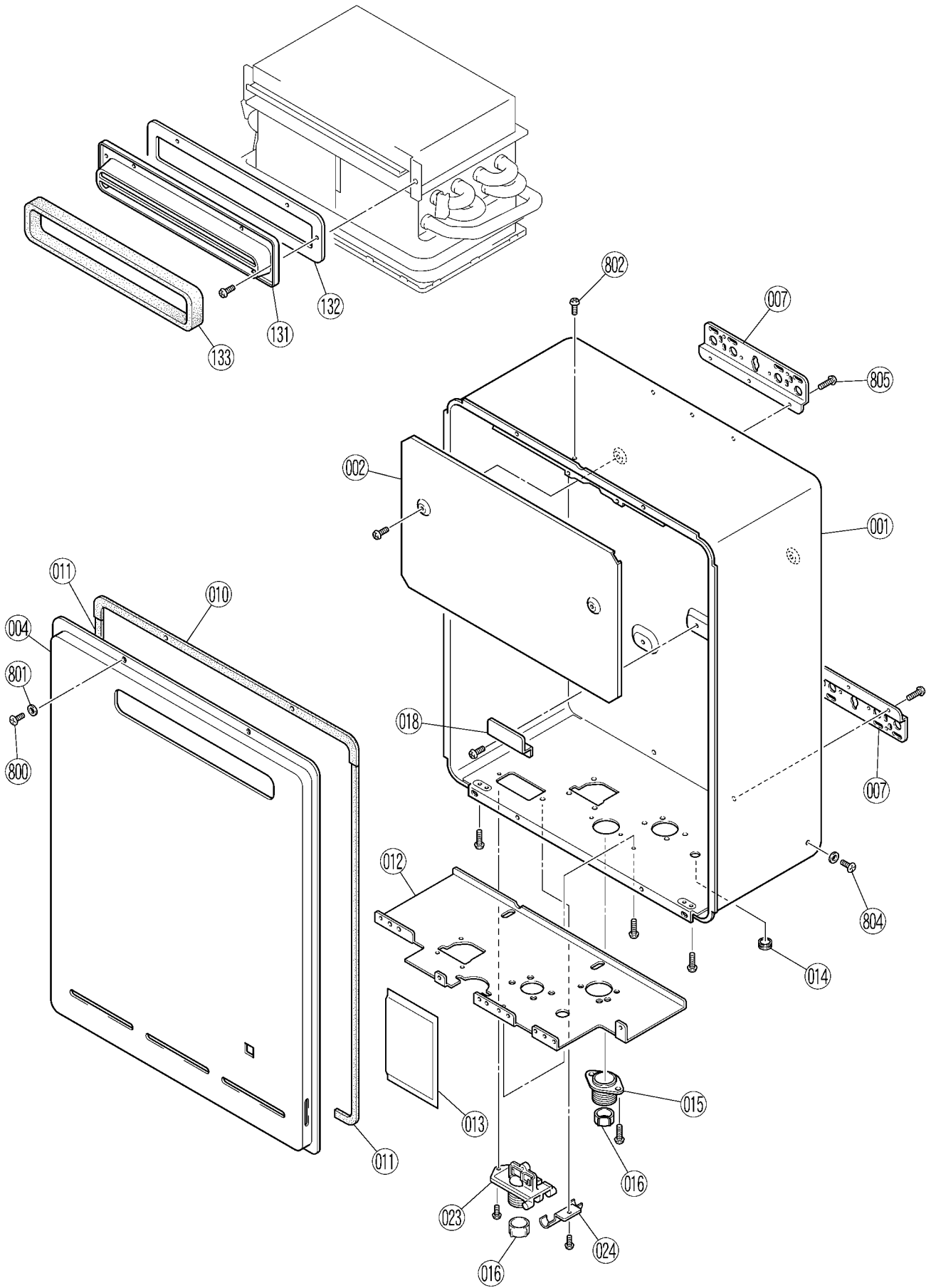


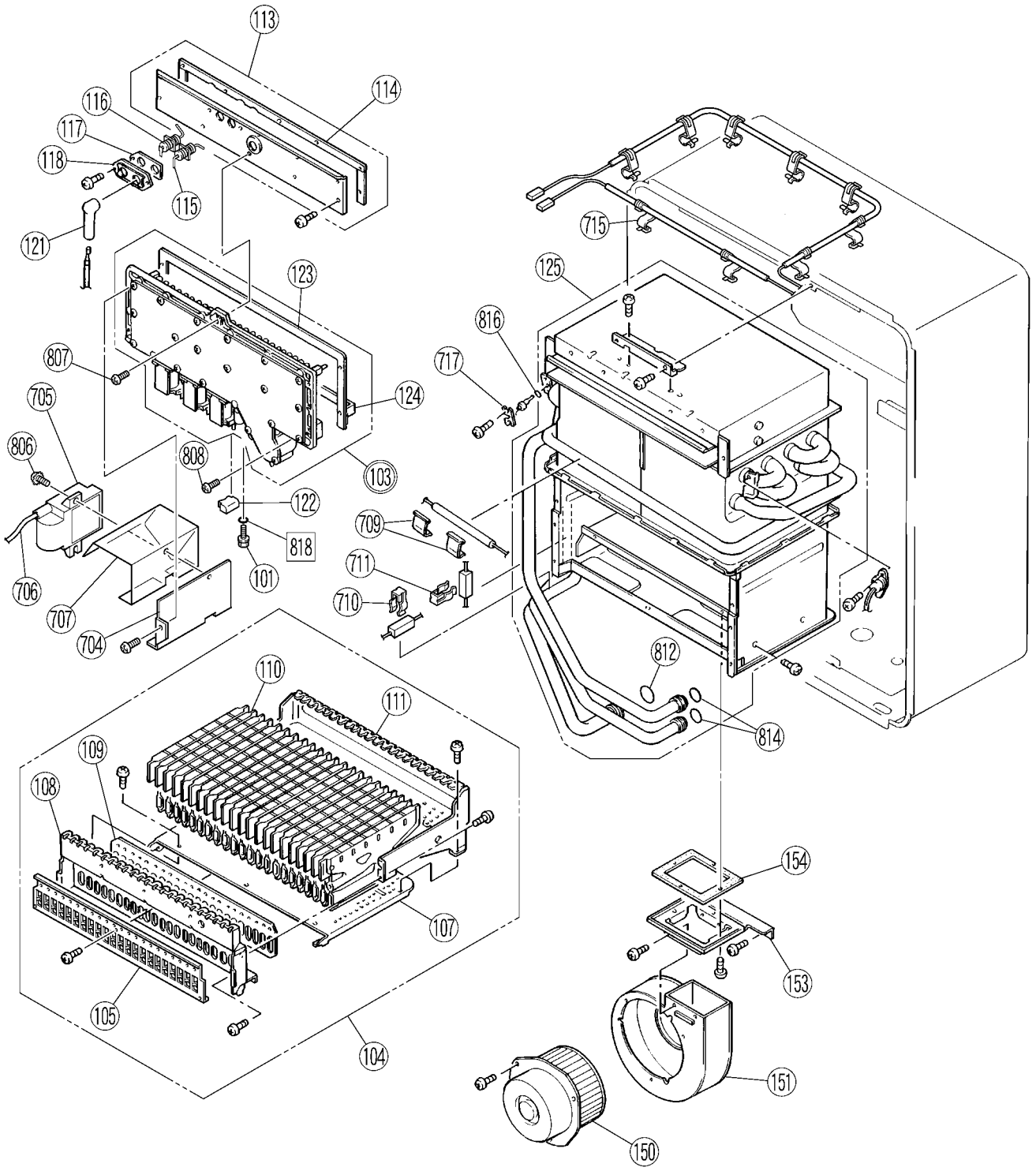
REU-VRM3237WG / REU-VRM3237WC (HD250E)						
NO	DESCRIPTION	RA CODE	11 DIGIT CODE	VR3237WG	VR3237WG-50	VRM3237WC
1	OUTER CASE EURO WHITE	92093832	014-438-000	1	1	
1	OUTER CASE TITAN METALLIC	92093831	014-439-000			1
2	HEAT PROTECTION PLATE		030-941-000	1	1	1
4	PANEL FRONT EURO WHITE	92099926	019-4018000	1		
4	PANEL FRONT EURO WHITE	92099928	019-4019000		1	
4	PANEL FRONT TITAN METALLIC	92099930	019-4020000			1
7	BRKT WALL	92093377	106-329-000	2	2	2
10	SEAL PANEL FRONT TOP	92086909	580-453-000	1	1	1
11	SEAL PANEL FRONT SIDE	92086917	510-903-000	2	2	2
12	CONNECTION REINFORCEMENT PANEL		044-154-000	1	1	1
13	BAG FOR INSTALLATION MANUAL		600-051-000	1	1	1
14	SEAL PACKING		510-893-000	1	1	1
15	INF20 CABLE ENTRY (NEW)	92073352	106-104-000	1	1	1
16	SEAL HARNESS EASY CONN	92099984	580-0105000	2	2	2
18	REINFORCEMENT PLATE		044-151-000	1	1	1
23	HARNESS EASY CONN	92099986	106-641-000	1	1	1
24	CABLE ACCESS BRACKET		538-840-000	1	1	1
100	INLET GAS 3/4	92081587	106-290-000	1	1	1
101	SCREW TEST POINT	92099956	501-275-005	2	2	2
102	GAS CONTROL	92086926	120-241-000	1	1	1
103	MANIFOLD LP	92095036	101-701-000	1	1	1
103	MANIFOLD NG	92095035	101-702-000	1	1	1
104	BURNER ASSY NG	92092213	000-140-000	1	1	1
104	BURNER ASSY LP	92099932	000-160-000	1	1	1
105	DAMPER NG	92099934	140-775-000	1	1	1
105	DAMPER LP	92099936	140-788-000	1	1	1
107	BURNER CASE BOTTOM PLATE		004-564-000	1	1	1
108	BURNER CASE FRONT		098-985-000	1	1	1
109	PACKING		580-573-000	1	1	1
110	LEAN AND RICH BUNSEN BURNER ASSEMBLY		157-090-000	22	22	22
111	BURNER CASE BACK PANEL		098-986-000	1	1	1
113	COMBUSTION CHAMBER FRONT PLATE		019-3389000	1	1	1
114	COMBUSTION CHAMBER FRONT PLATE PACKING		580-574-000	1	1	1
115	ELECTRODE	92086974	202-156-000	1	1	1
116	ELECTRODE FR	92093640	230-057-000	1	1	1
117	PACKING ELECTRODE	92087015	580-0390000	1	1	1
118	ELECTRODE HOLDER RH	92087006	580-505-000	1	1	1
121	SLEEVE ELECTRODE	92087030	518-035-000	1	1	1
122	SOLENOID VALVE COVER		098-0647000	1	1	1
123	UPPER COMBUSTION CHAMBER PACKING		092-046-000	1	1	1
124	LOWER COMBUSTION CHAMBER PACKING		092-047-000	1	1	1
125	HEAT EXCHANGE ASSEMBLY	92087049	314-696-000	1	1	1
131	EXHAUST FLUE	92095934	055-510-000	1	1	1
132	GASKET INNER FLUE	92096445	580-576-000	1	1	1
133	GASKET OUTER FLUE	92096452	580-681-000	1	1	1
150	FAN COMB	92095022	222-534-000	1	1	1
151	FAN CASING	92098862	035-867-000	1	1	1
153	FAN CONNECTING BRACKET		106-649-000	1	1	1
154	GASKET FAN	92099942	580-580-000	1	1	1

NO	DESCRIPTION	RA CODE	11 DIGIT CODE	VR3237WG	VR3237WG-50	VRM3237WC
400	INLET WATER 3/4	92099968	333-301-NPB	1	1	1
401	PLUG BAND		553-119-000	1	1	1
402	FILTER WATER LARGE	92083773	196-062-000	1	1	1
405	WATER FLOW SENSOR WITH VALVE HEATER	92087064	301-163-000	1	1	1
406	RECTIFIER WATER	92093552	330-107-000	1	1	1
407	BYPASS SERVO ASSY	92087072	301-158-000	1	1	1
408	STOP BRACKET		512-401-000	2	2	2
409	WATER FLOW SERVO COVER		098-1445000	1	1	1
410	OUTLET WATER 3/4	92093807	333-450-000	1	1	1
411	PLUG BAND		553-043-000	1	1	1
412	VALVE PRESS RELIEF	92099944	337-152-000	1	1	1
413	STOP BRACKET		512-406-000	1	1	1
700	PCB MAIN	92099918	210-909-000	1		1
700	PCB MAIN -50-AK	92099948	210-910-000		1	
701	SURGE ARRESTOR	92093699	210-605-000	1	1	1
702	PCB COVER-FRONT		098-1869000	1	1	1
703	PCB COVER-SIDE		098-1844000	1	1	1
704	IGNITOR BRACKET		538-0396000	1	1	1
705	SPARKER	92095026	261-157-000	1	1	1
706	LEAD HT	92092253	203-828-000	1	1	1
707	IGNITOR COVER		098-1845000	1	1	1
708	HEATER A-FROST	92093295	235-376-000	1	1	1
709	BRKT HEATER	92093301	538-493-000	2	2	2
710	BRKT HEATER B	92096225	537-0440000	1	1	1
711	ANTI FROST HEATER CLIP		537-215-000	1	1	1
712	HEATER WATER FLOW	92092262	235-369-000	1	1	1
714	FUSE THERMAL	92090175	290-1273000	1	1	1
715	THERMAL FUSE CLIP		553-055-000	9	9	9
716	THERMISTOR 1	92095030	233-246-000	2	2	2
717	THERMISTOR CLIP	92083688	508-836-000	1	1	1
718	SWITCH THERMAL	92097187	234-444-000	1	1	1
720	HARNESS FUSE WITH HEATER	92094004	290-1396000	1	1	1
721	HARNESS POWER	92095038	204-0015000	1	1	1
722	HARNESS SPARKER	92095039	290-1398000	1	1	1
723	SENSOR HARNESS	92099951	290-1706000	1	1	1
724	ELEC CORD	92089051	206-226-000	1	1	1
725	HARNESS REMOTE	92095041	290-1399000	1	1	1
730	STATUS MONITOR BRACKET		537-0643000			1
731	RELAY	92095032	210-810-000			1
732	HARNESS RELAY	92095033	290-1289000			1
800	SCREW		501-973-010	3	3	3
800	EARTH SCREW		501-889-000	1	1	1
801	WASHER		503-022-010	3	3	3
802	SCREW		501-0057000	2	2	2
803	WASHER		503-026-010	5	5	5
804	SCREW		501-0091000	8	8	8
805	SCREW		501-865-000	5	5	5
806	SCREW		501-737-000	1	1	1
807	SCREW		501-0092000	5	5	5
808	SCREW		501-0064000	2	2	2

NO	DESCRIPTION	RA CODE	11 DIGIT CODE	VR3237WG	VR3237WG-50	VRM3237WC
809	SCREW		501-0093000	3	3	3
810	SCREW		501-295-000	1	1	1
811	O RING GAS CON	92072859	520-043-010	1	1	1
812	O RING IN/OUT WATER	92071182	520-049-010	3	3	3
813	O RING HEAT EXCH	92062199	520-048-010	1	1	1
814	O RING HEAT EXCH	92062207	520-193-010	2	2	2
815	O RING	92062348	520-281-010	1	1	1
816	O RING THERMISTOR	92062249	520-209-010	2	2	2
817	O RING GAS MANIFOLD	92075126	580-202-000	1	1	1
818	O-RING	90195165	520-300-010	2	2	2
821	SCREW		501-395-000	1	1	1
822	SCREW		501-799-000	4	4	4
823	SCREW		511-119-000	2	2	2
824	SCREW		501-403-000	3	3	3
888	OPERATION MANUAL(RAU)		623-753-200	1	1	1
889	INSTALLATION MANUAL(RAU)		K23-753-200	1	1	1

REU-VR3237WG





REU-VR3237WG

