

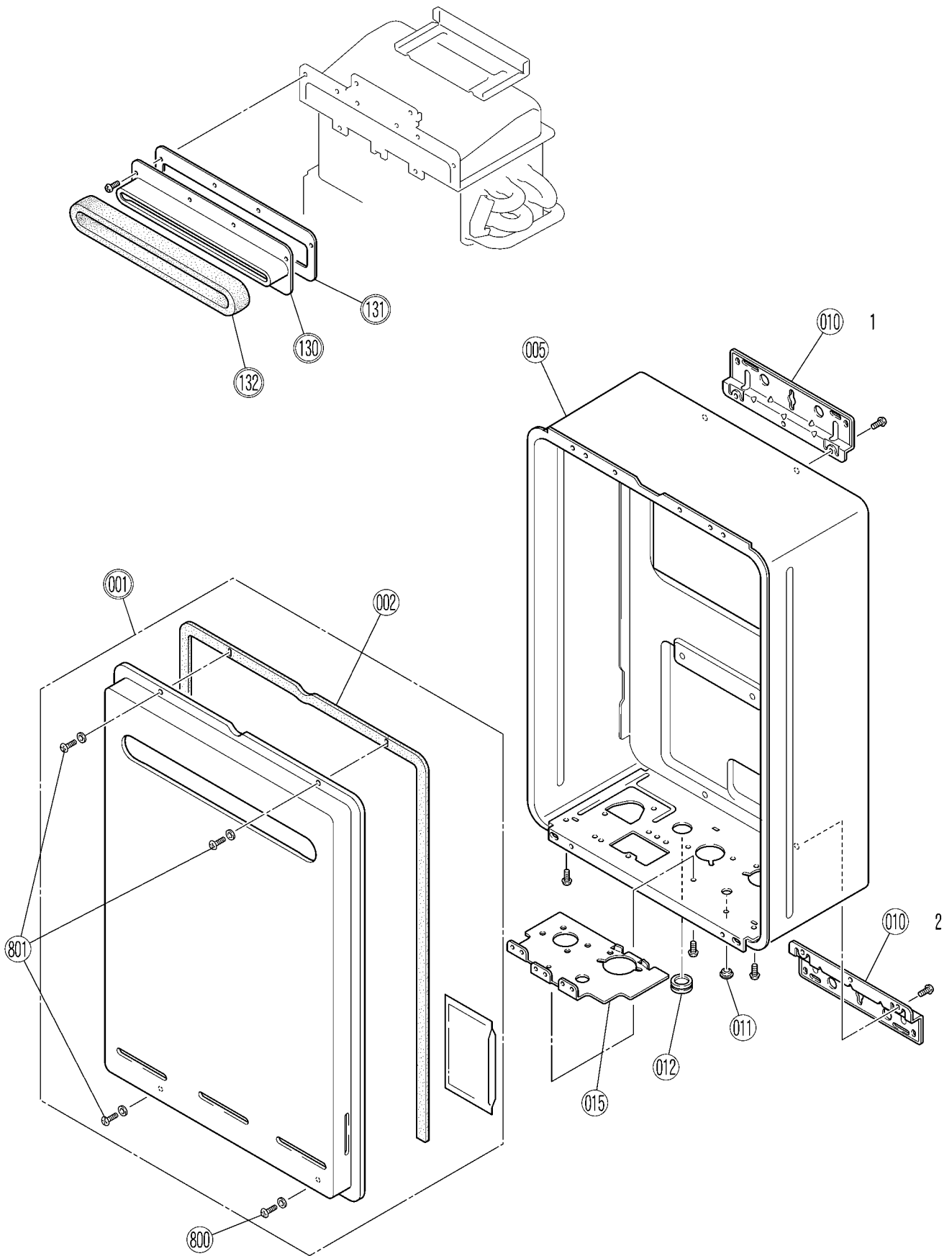
REU-VR2426WB / REU-VR2426WB-50/ REU-VR2426WS/REU-VR2626WG/REU-VR2626WG-50/ REU-VR2626WG(KIT) / REU-VR2626WG-50(KIT)				REU-VR2426WB	REU-VR2426WB-50	REU-VR2426WS	REU-VR2626WG	REU-VR2626WG-50	REU-VR2626WG	REU-VR2626WG-50
NO	DESCRIPTION	RA PART	RJ 11 DIGIT CODE							
001	Panel Front - Dune	92099244	019-4085000	1						
001	Panel Front - Dune	92099246	019-4086000		1					
001	Panel Front - Dune	92099248	019-4087000			1				
001	Panel Front - White	92099250	019-4088000				1		1	
001	Panel Front - White	92099252	019-4089000					1		1
002	Panel Front Packing		580-0039000	3	3	3	3	3	3	3
005	Outer Case - Dune	92092050	014-446-000	1	1	1				
005	Outer Case -White	92092049	014-445-000				1	1	1	1
010	Wall Hang Bracket	92093377	106-329-000	2	2	2	2	2	2	2
011	Blind Packing		510-893-000	1	1	1	1	1	1	1
012	Rubber Bushing C		194-140-000	1	1	1	1	1	1	1
013	Harness Easy Connect	92099955	106-651-000	1	1	1	1	1	1	1
014	Cable Seal Packing	92099984	580-0105000	1	1	1	1	1	1	1
015	Piping Reinforce		044-156-000	1	1	1	1	1	1	1
100	Inlet (3/4") Gas	92081587	106-290-000	1	1	1	1	1	1	1
101	Screw Test Point	92099956	501-275-005	1	1	1	1	1	1	1
102	Gas Control	92099198	120-0028000	1	1	1	1	1	1	1
103	Manifold LPG	92099264	101-753-000	1	1	1	1	1	1	1
103	Manifold NG	92099266	101-754-000	1	1	1	1	1	1	1
104	Manifold Packing Upper	92099288	580-0140000	1	1	1	1	1	1	1
105	Manifold Packing Lower	92099294	580-0576000	1	1	1	1	1	1	1
106	Burner Case Front		098-0821000	1	1	1	1	1	1	1
107	Packing		580-597-000	1	1	1	1	1	1	1
108	Dumper		140-608-000	1	1	1	1	1	1	1
109	Lean & Rich Bunsen Burner		157-083-000	22	22	22	22	22	22	22
110	Burner Case Rear		098-412-000	1	1	1	1	1	1	1
111	Comb.Chmb Front Panel - 24/26		019-4090000	1	1	1	1	1	1	1
112	Comb. Chmb Front Panel Packing - 24/26		580-0577000	1	1	1	1	1	1	1
113	Electrode	92086974	202-156-000	1	1	1	1	1	1	1
114	Electrode FR	92095598	202-215-000	1	1	1	1	1	1	1
115	Packing Electrode	92099214	580-0569000	1	1	1	1	1	1	1
116	Electrode Holder	92099216	538-0572000	1	1	1	1	1	1	1
117	Sleeve Electrode	92087030	518-035-000	1	1	1	1	1	1	1

**REU-VR2426WB / REU-VR2426WB-50/
REU-VR2426WS/REU-VR2626WG/REU-VR2626WG-50/
REU-VR2626WG(KIT) / REU-VR2626WG-50(KIT)**

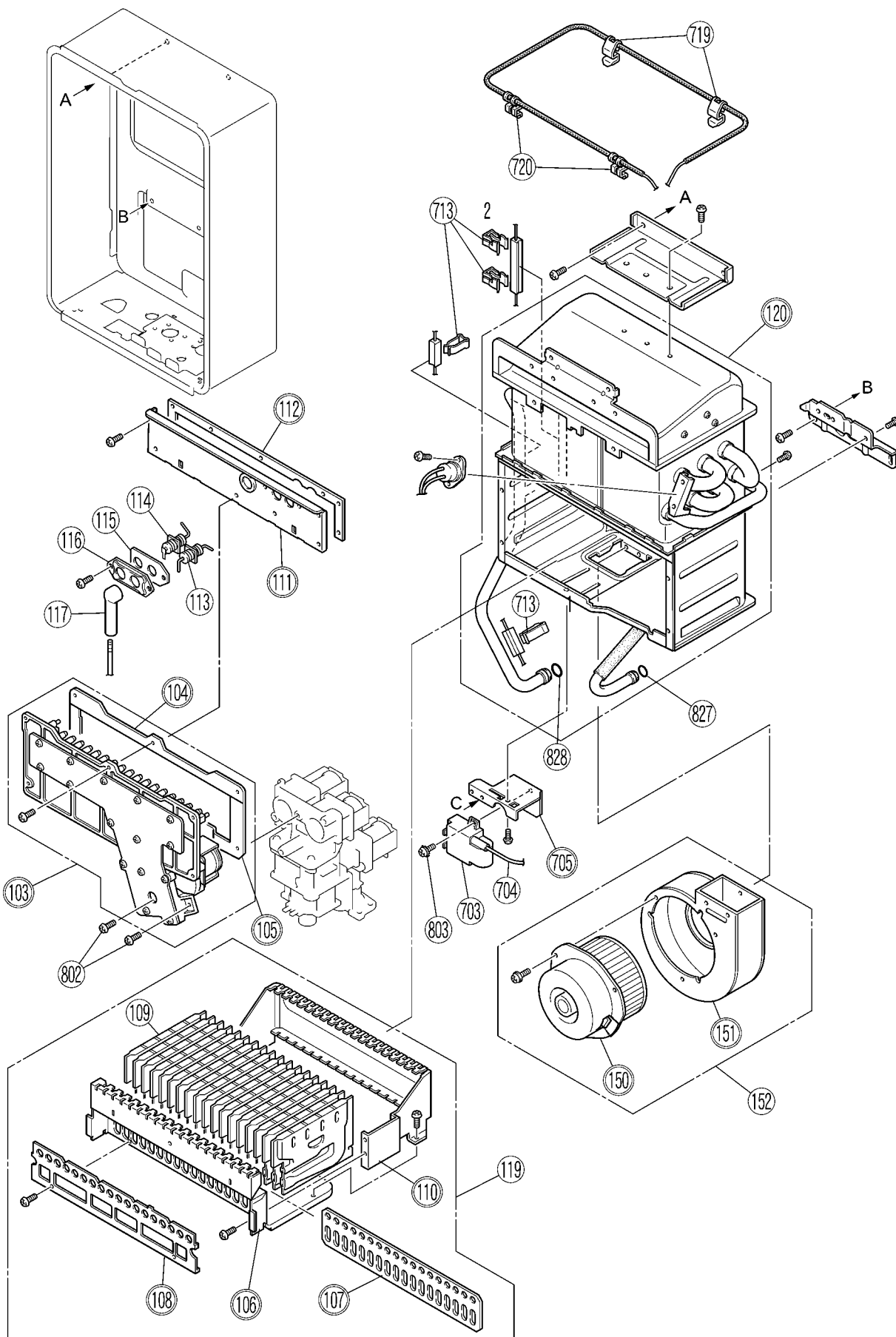
NO	DESCRIPTION	RA PART	RJ 11 DIGIT CODE	REU-VR2426WB	REU-VR2426WB-50	REU-VR2426WS	REU-VR2626WG	REU-VR2626WG-50	REU-VR2626WG	REU-VR2626WG-50
119	Buner Assembly	92099270	157-139-000	1	1	1	1	1	1	1
120	Heat Exchanger Assy	92099280	314-758-000	1	1	1	1	1	1	1
121	Water Connecting Tube Retainer	92093315	538-615-000	1	1	1	1	1	1	1
122	Bracket H/Exchanger Outlet	92099548	537-502-000	1	1	1	1	1	1	1
130	Exhaust Flue	92099976	055-858-000	1	1	1	1	1	1	1
131	Exhaust Opening Packing		580-599-000	1	1	1	1	1	1	1
132	Front Panel Seal Packing		580-601-000	1	1	1	1	1	1	1
150	Comb Fan Motor	92095022	222-534-000	1	1	1	1	1	1	1
151	Fan Casing Assembly	92098862	035-867-000	1	1	1	1	1	1	1
152	Comb Fan Assy	92098988	222-613-000	1	1	1	1	1	1	1
400	Inlet (3/4") Water	92095901	333-483-000	1	1	1	1	1	1	1
401	Plug Band		553-119-000	1	1	1	1	1	1	1
402	Filter Water O Large	92083773	196-062-000	1	1	1	1	1	1	1
404	Rectifier	92093552	330-107-000	1	1	1	1	1	1	1
405	Water Flow Servo	92099957	301-152-000	1	1	1	1	1	1	1
406	Water Flow Servo Cover		098-1445000	1	1	1	1	1	1	1
408	Connection (3/4") H/W	92099970	333-304-000	1	1	1	1	1	1	1
409	Hot Water Plug Band		553-043-000	1	1	1	1	1	1	1
410	Valve Press Relief	92099944	337-152-000	1	1	1	1	1	1	1
700	PCB Main	92099224	210-950-000	1		1	1		1	
700	PCB Main 50c	92099226	210-951-000		1			1		1
701	EC-Cover-2-A		098-1853000	1	1	1	1	1	1	1
702	Electric Control Cover		098-0627000	1	1	1	1	1	1	1
703	Sparker	92095026	261-157-000	1	1	1	1	1	1	1
704	Lead HT (L=360)	92099228	203-877-000	1	1	1	1	1	1	1
705	Ignitor Bracket		537-0617000	1	1	1	1	1	1	1
706	Surge Arrestor	92093699	210-605-000	1	1	1	1	1	1	1
707	Sub Circuit Board Cover		098-1855000	1	1	1	1	1	1	1
708	Bracket		537-0618000	1	1	1	1	1	1	1
709	Elec Cord	92089051	206-226-000	1	1	1	1	1	1	1
710	Harness Fuse	92099959	290-1284000	1	1	1	1	1	1	1
711	Heater Anti frost	92098318	213-001-000	1	1	1	1	1	1	1
712	Switch Thermal	92097187	234-444-000	1	1	1	1	1	1	1
713	Heater Fixing Plate	92096225	537-0440000	4	4	4	4	4	4	4
715	Hanrness Power	92095027	290-1285000	1	1	1	1	1	1	1

REU-VR2426WB / REU-VR2426WB-50/ REU-VR2426WS/REU-VR2626WG/REU-VR2626WG-50/ REU-VR2626WG(KIT) / REU-VR2626WG-50(KIT)				REU-VR2426WB	REU-VR2426WB-50	REU-VR2426WS	REU-VR2626WG	REU-VR2626WG-50	REU-VR2626WG	REU-VR2626WG-50
NO	DESCRIPTION	RA PART	RJ 11 DIGIT CODE							
716	Harness Solenoid	92099230	290-1746000	1	1	1	1	1	1	1
717	Harness Sensor	92099232	290-1747000	1	1	1	1	1	1	1
718	Fuse Thermal	92099978	290-0678000	1	1	1	1	1	1	1
719	Thermal Fuse Fixing Plate		537-505-000	3	3	3	3	3	3	3
720	Thermal Fuse Fixing Plate		537-0110000	3	3	3	3	3	3	3
721	Sensor MR	92099988	243-133-000	1	1	1	1	1	1	1
722	Twin Thermistor	92099234	233-278-000	1	1	1	1	1	1	1
725	Harness Remoter Control	92099961	290-1288000	1	1	1	1	1	1	1
728	Harness Relay Solenoid	92099236	290-1748000	1	1	1	1	1	1	1
800	Earth Screw		501-889-000	1	1	1	1	1	1	1
801	Truss Screw		501-973-010	3	3	3	3	3	3	3
802	Screw		501-0064000	3	3	3	3	3	3	3
803	Tapping Screw		501-737-000	1	1	1	1	1	1	1
804	Thermistor Fixing Screw		501-295-000	1	1	1	1	1	1	1
820	O-Ring	90195165	520-300-010	1	1	1	1	1	1	1
821	O-Ring Gas Connection	92072859	520-043-010	1	1	1	1	1	1	1
822	O-Ring Gas Conrol	92096502	580-180-000	2	2	2	2	2	2	2
825	O-Ring Thermistor	92062249	520-209-010	1	1	1	1	1	1	1
826	O-Ring	92062348	520-281-010	1	1	1	1	1	1	1
827	O-Ring Heat Exchanger	92072800	520-255-010	1	1	1	1	1	1	1
828	O-Ring Heat Exchanger	92062207	520-193-010	1	1	1	1	1	1	1
829	O-Ring Heat Exchanger Inlet	92062199	520-048-010	1	1	1	1	1	1	1
830	O-Ring In/Out Water	92071182	520-049-010	1	1	1	1	1	1	1

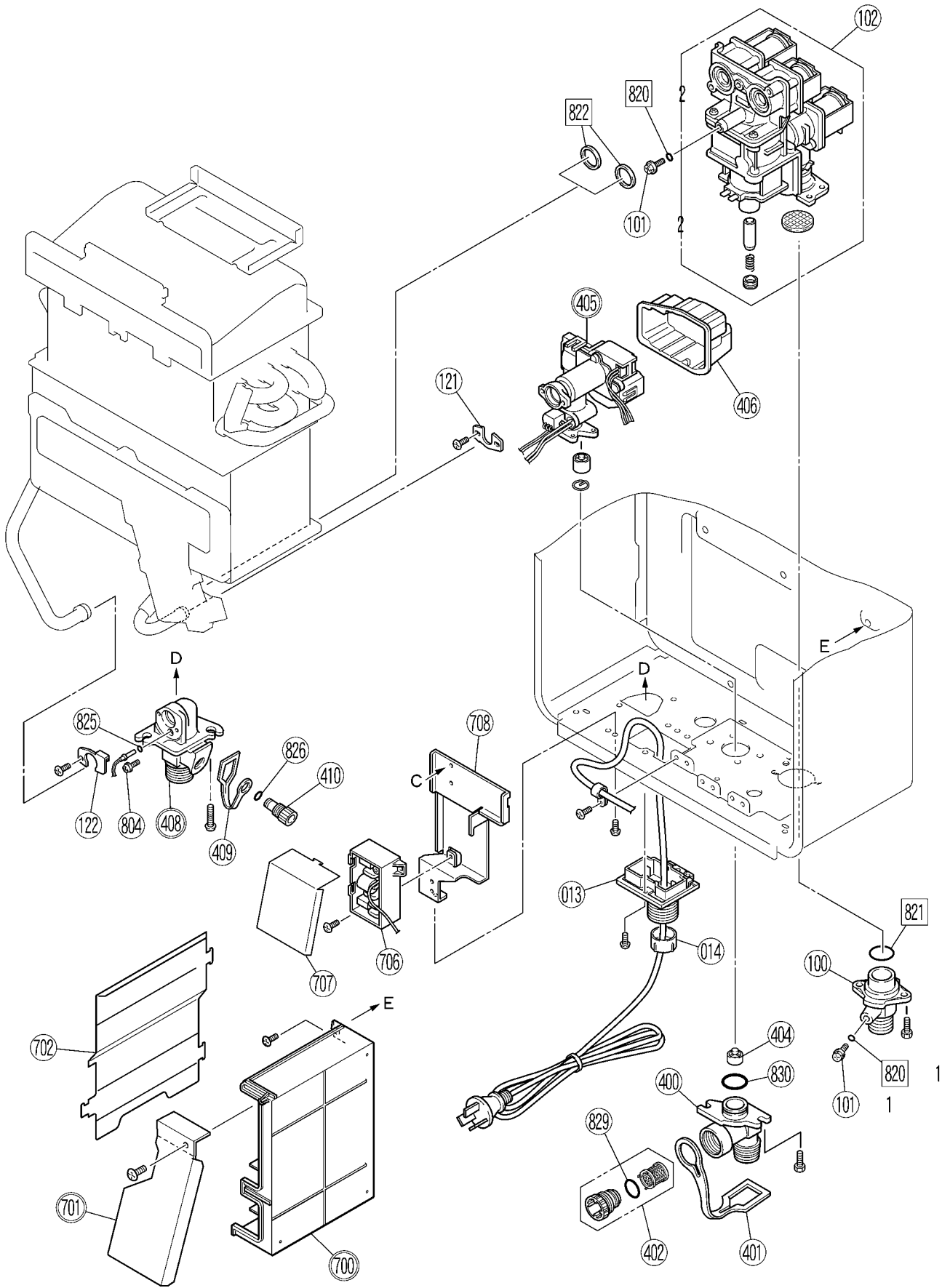
REU-VR1620W/VR2024W/VR2426W/VR2626W-AK



REU-VR1620W/VR2024W/VR2426W/VR2626W-AK



REU-VR1620W/VR2024W/VR2426W/VR2626W-AK



REU-VR1620W/VR2024W/VR2426W/VR2626W-AK

