



# LAZER<sup>®</sup> BOILING WATER UNIT – WALL MOUNTED



BOILING

INDOOR

WALL MOUNTED

3-40L

CAPACITY

1  
YEAR

WARRANTY\*



INSTALL

A RHEEM<sup>®</sup>





## RHEEM BOILING WATER UNITS

### RHEEM LAZER® – THE TRUSTED NAME IN BOILING WATER

In an age where conserving energy and reducing carbon footprints are as much about smart business practice as they are environmental issues, Rheem has developed a sophisticated, energy efficient range of water boilers.

### Now you control how much energy it takes to have boiling water on tap

#### MORE ENERGY SAVING FEATURES

A timer is now standard on all Rheem Lazer® water boilers, allowing you to programme when boiling water is not required so that the unit turns on and off automatically for maximum savings. What's more, a clever sleep mode senses when no one is around and powers down to conserve energy.

Programming is simple and intuitive and the backlit LED screen activates only when you need it. The new front panel displays the time, day and the mode the unit is currently operating in, while four interface buttons make setting and changing programmes a quick and easy procedure.

Single tank design is used to reduce heat loss and to retain even more heat and help cut energy use still further.

#### COMPACT SIZE

Rheem have managed to pack all the features of this clever boiling water unit into an exceptionally compact casing and at the same time, improve performance.

The Lazer® can be plumbed from underneath or the plumbing may be concealed behind the unit for a neater overall finish.

#### BETTER RANGE

We've made a Rheem Lazer® water boiler for the smallest office right through to the largest commercial kitchen with models ranging in size from 3 litre to 40 litre capacity, in a choice of white powder coat or brushed stainless steel.



**A water boiling unit can be this smart, this compact and this efficient**

#### SO MUCH SMARTER

With only two moving parts, one being the tap, the Lazer® uses state of the art technology to maintain boiling water "at-the-ready" when needed.

The controller is so smart it even knows its position above sea level and automatically adjusts the boiling point. And unlike other models, this water boiler doesn't rely on sensing cold water temperature which means the Lazer® can also be connected to a hot water supply.

As for maintenance, with handy features including an installed filter and self diagnostics, it couldn't be easier or more cost effective.

**For your energy efficient water boiling needs, look no further than Rheem**

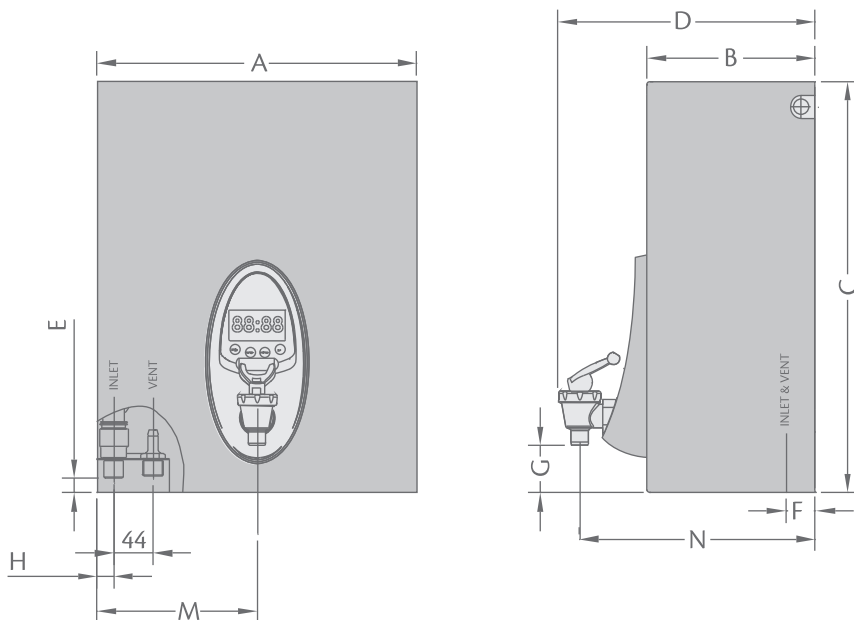






# LAZER<sup>®</sup> BOILING WATER UNIT – WALL MOUNTED

		710 003	710 005	710 007	710 010	710 015	710 025	710 040
				720 007	720 010	720 015	720 025	720 040
Capacity	litres	3	5	7.5	10	15	25	40
Delivery – Initial	litres	3.5	6	8.5	11	17	27	42
	cups	20	35	50	65	100	159	247
Recovery	L/hr	17.5	21	21	21	21	33	41
	cups/hr	103	123	123	123	123	194	241
Approx Weight Empty	kg	6	8	9	10	15	17	19
Approx Weight Full	kg	10	15	19	22	34	47	67
Minimum Water Pressure	kPa	50	50	50	50	75	75	100
Maximum Water Pressure	kPa	1000	1000	1000	1000	1000	1000	1000
Input	kW	1.8	2.4	2.4	2.4	2.4	3.6	4.6
Electrical Connection	Supplied with 10 Amp 3 Pin Plug and Flex						Hard Wired by Electrician	
Plumbing Connections	½" BSPM							
<b>Product Dimensions</b>								
A	mm	283	334	334	334	490	490	490
B	mm	143	176	176	176	180	235	325
C	mm	400	430	515	615	615	615	615
D	mm	234	267	267	267	271	326	416
E	mm	15	15	15	15	8	8	8
F	mm	50	50	50	50	32	32	32
G	mm	53	53	53	53	103	103	103
H	mm	18	18	18	18	32	32	32
N	mm	212	245	245	245	249	304	394
M	mm	142	167	167	167	245	245	245



### Warranty conditions

\*1 year warranty on parts and labour  
For full warranty please contact Rheem

Please check the information is current at the time of ordering or building to incorporate the appliance. All information is current at the time of publication, September 2009, but may change without notice.

### Rheem Australia Pty Ltd. Head Office

1 Alan Street, Rydalmere, New South Wales 2116, Australia  
PO Box 6, Rydalmere, New South Wales 2116, Australia

<sup>™</sup>Trademark of Rheem Australia Pty Ltd.

<sup>®</sup>Registered Trademark of Rheem Australia Pty Ltd.

